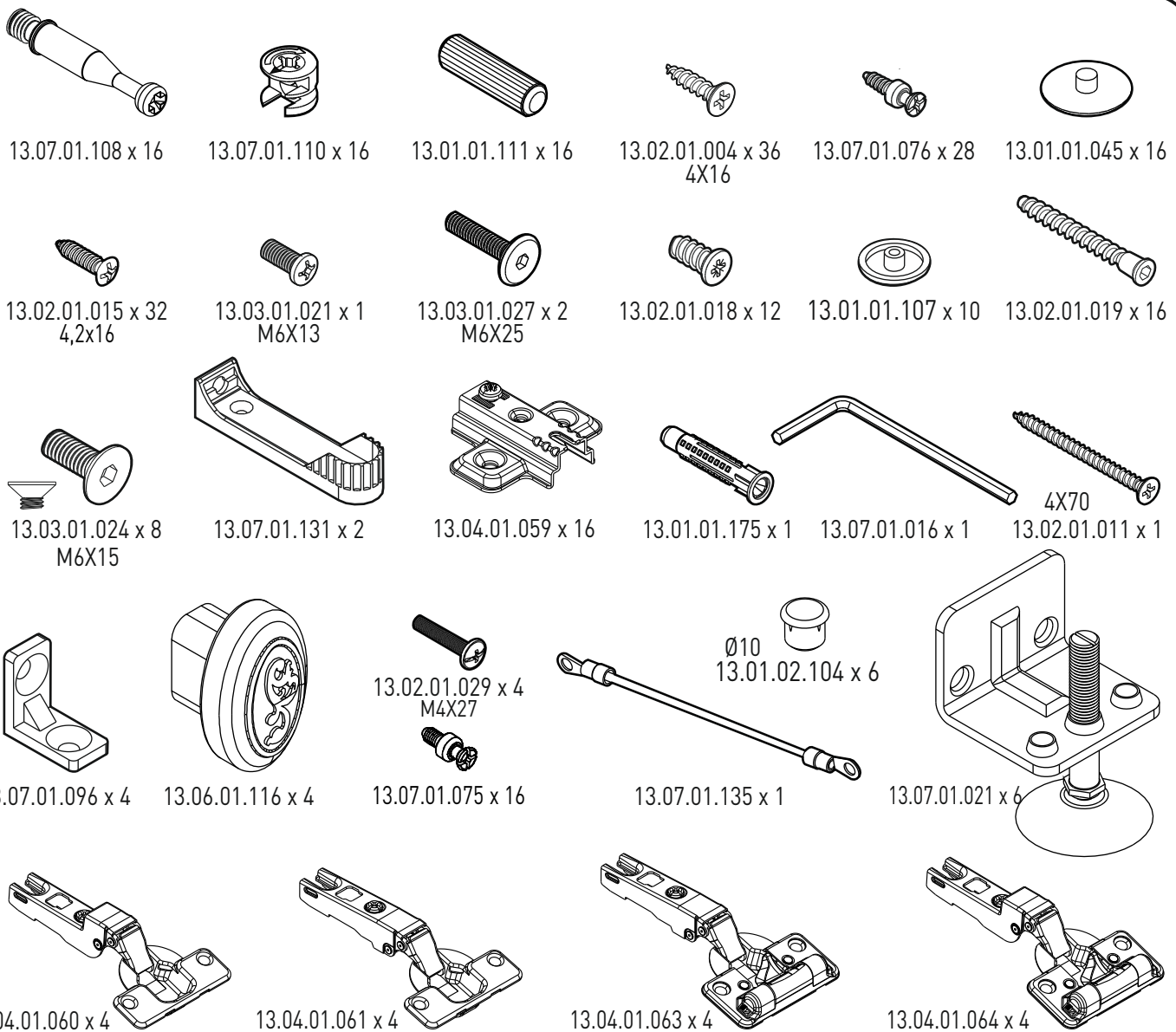
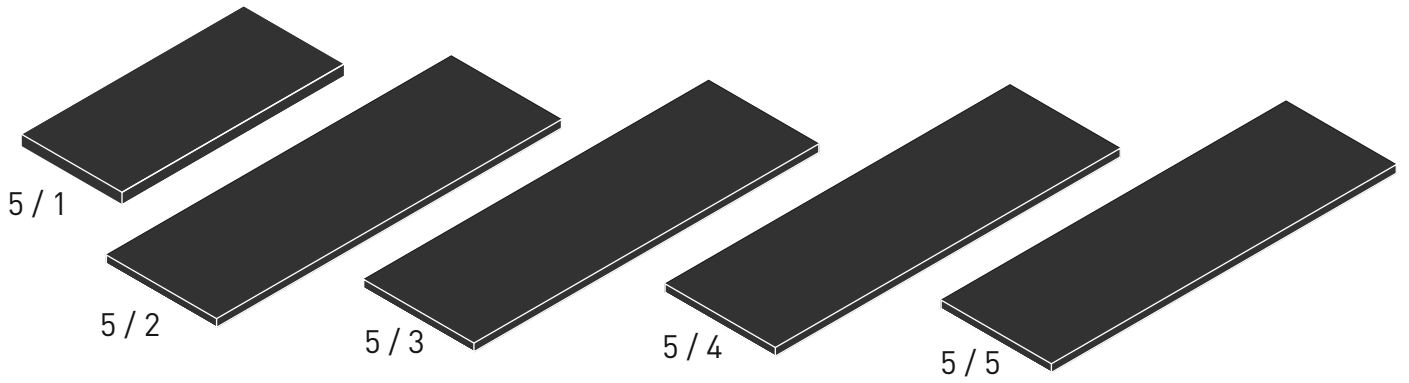
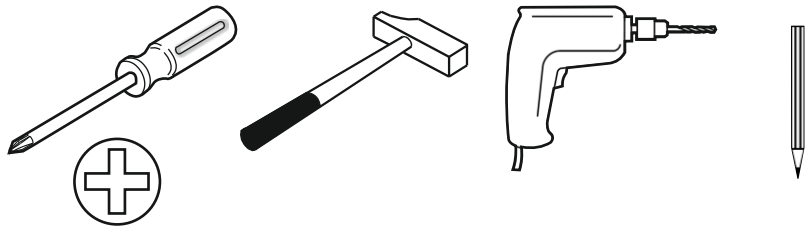
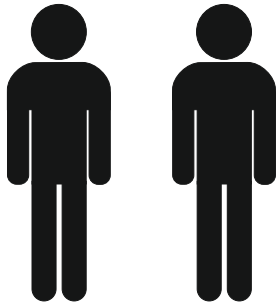
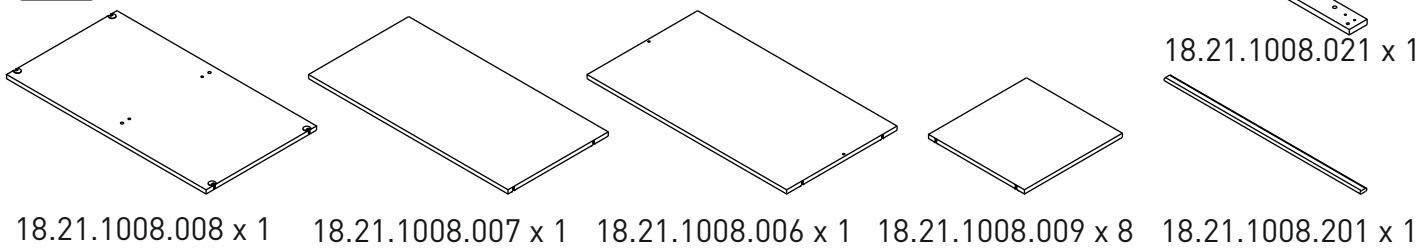


**20.21.1008.00**

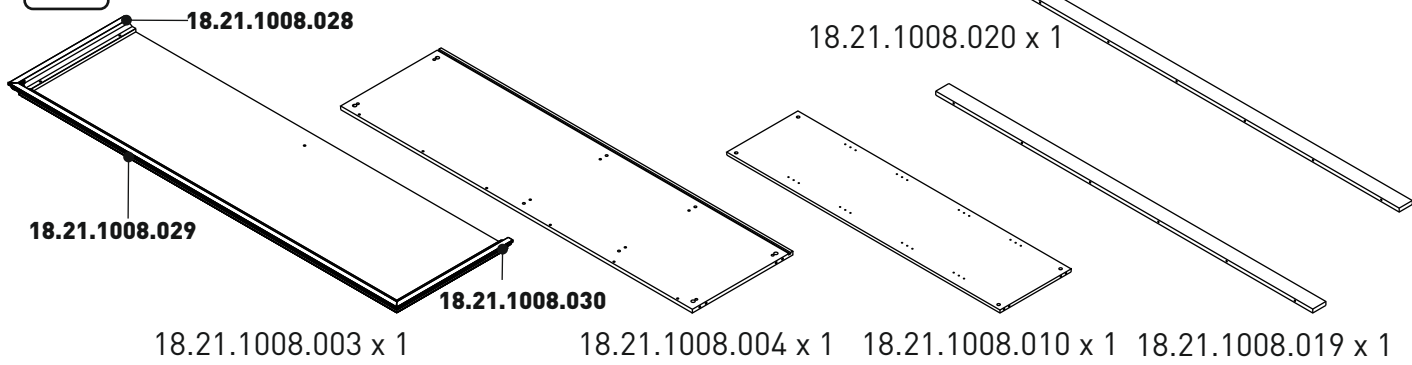




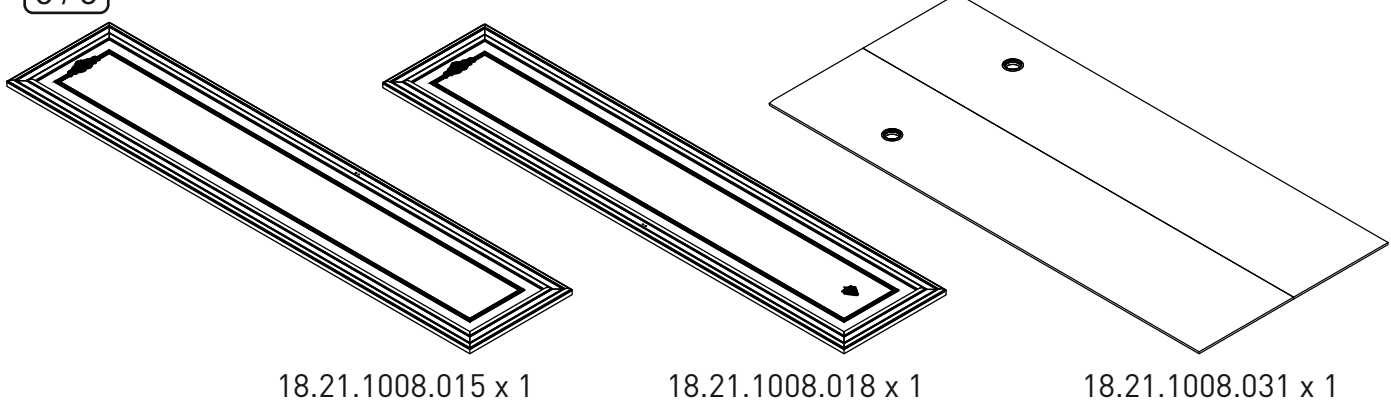
5/1



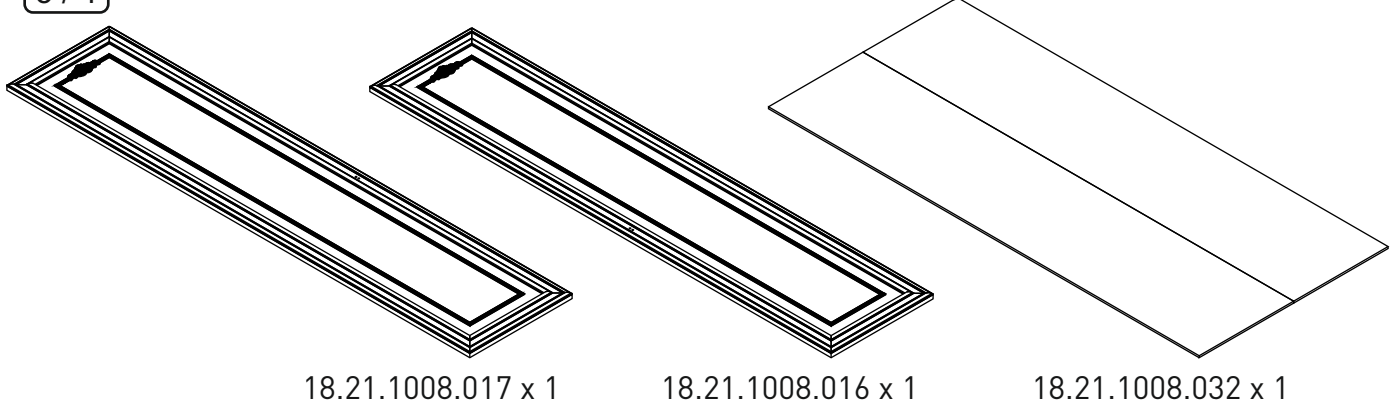
5/2



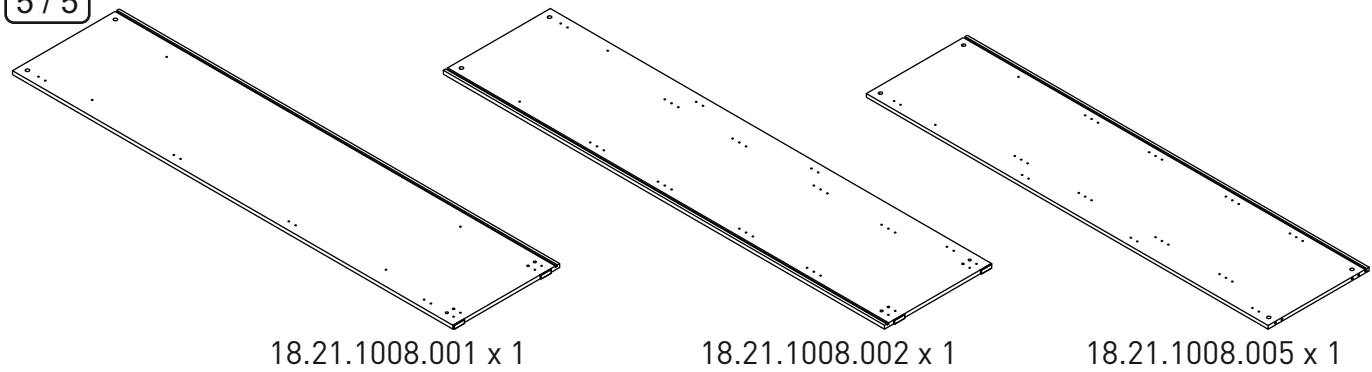
5/3



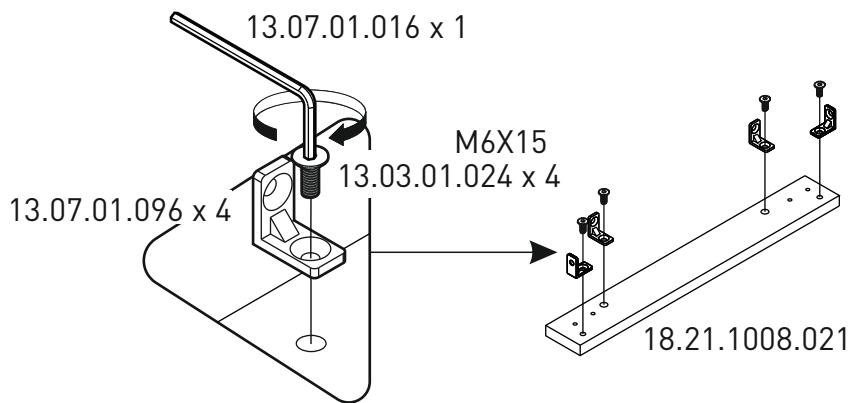
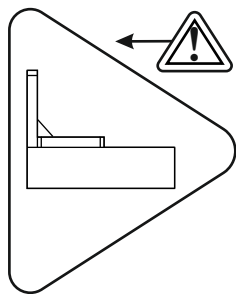
5/4



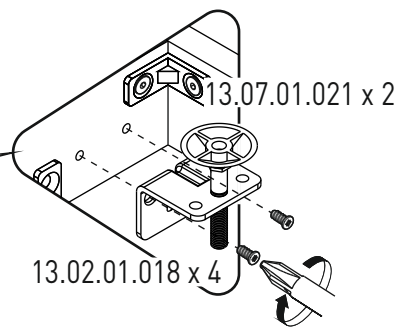
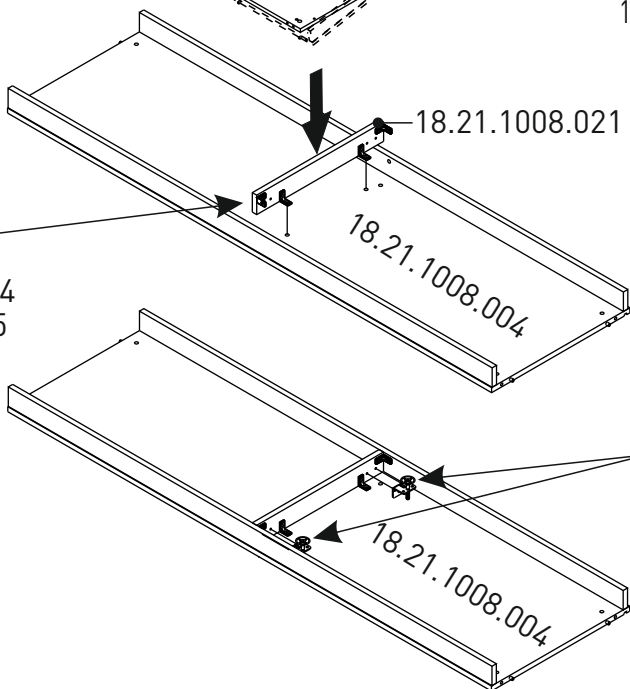
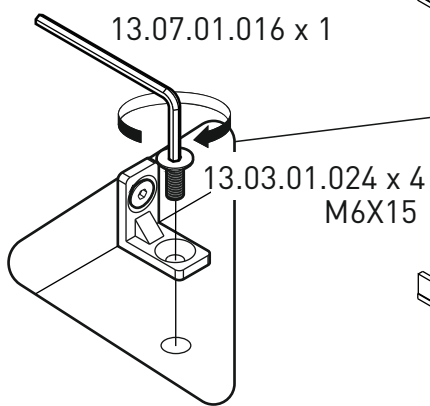
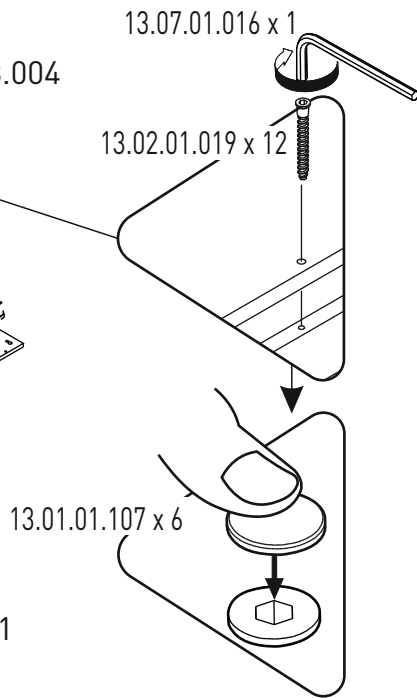
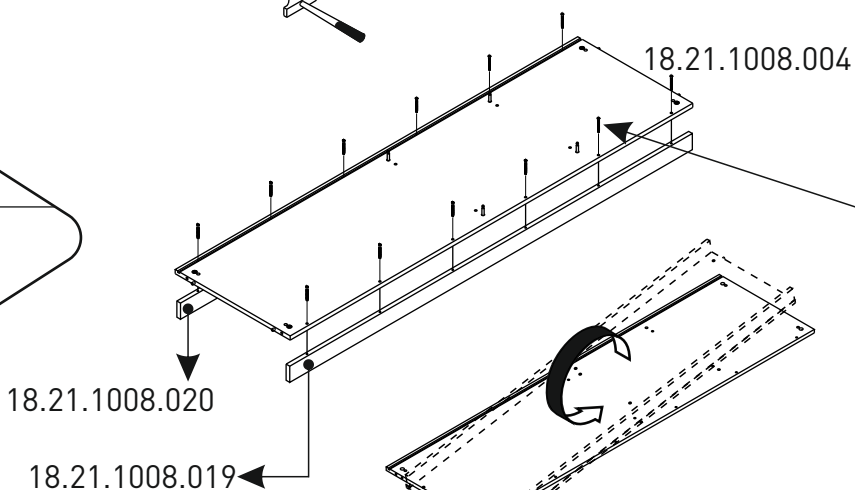
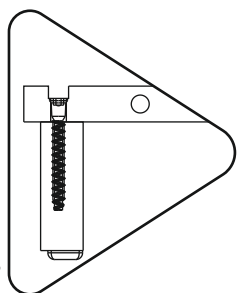
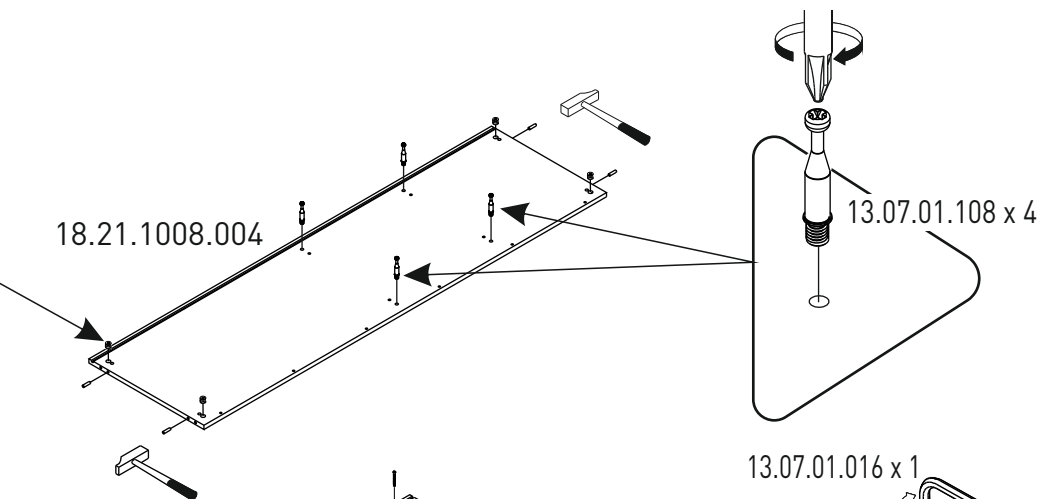
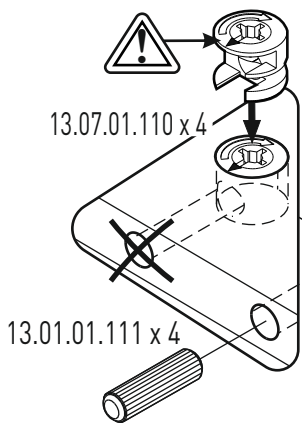
5/5



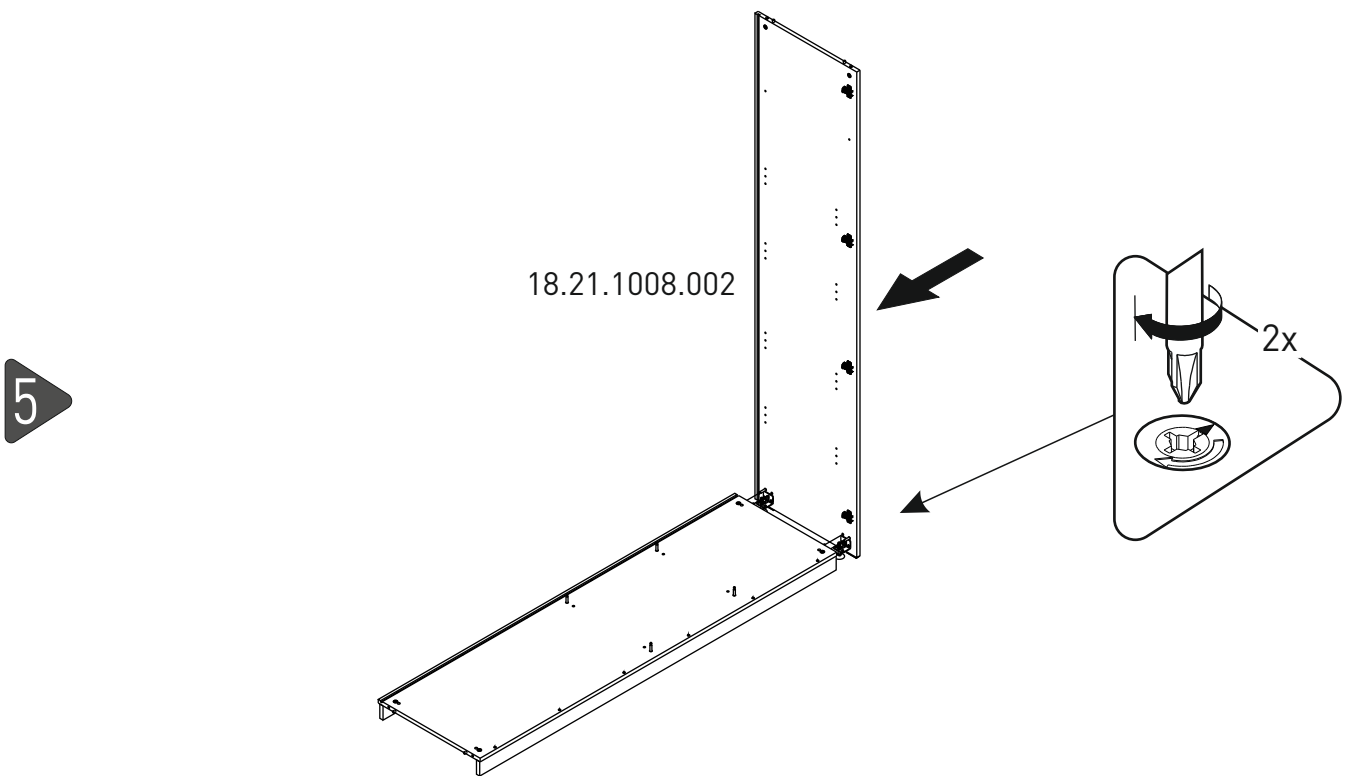
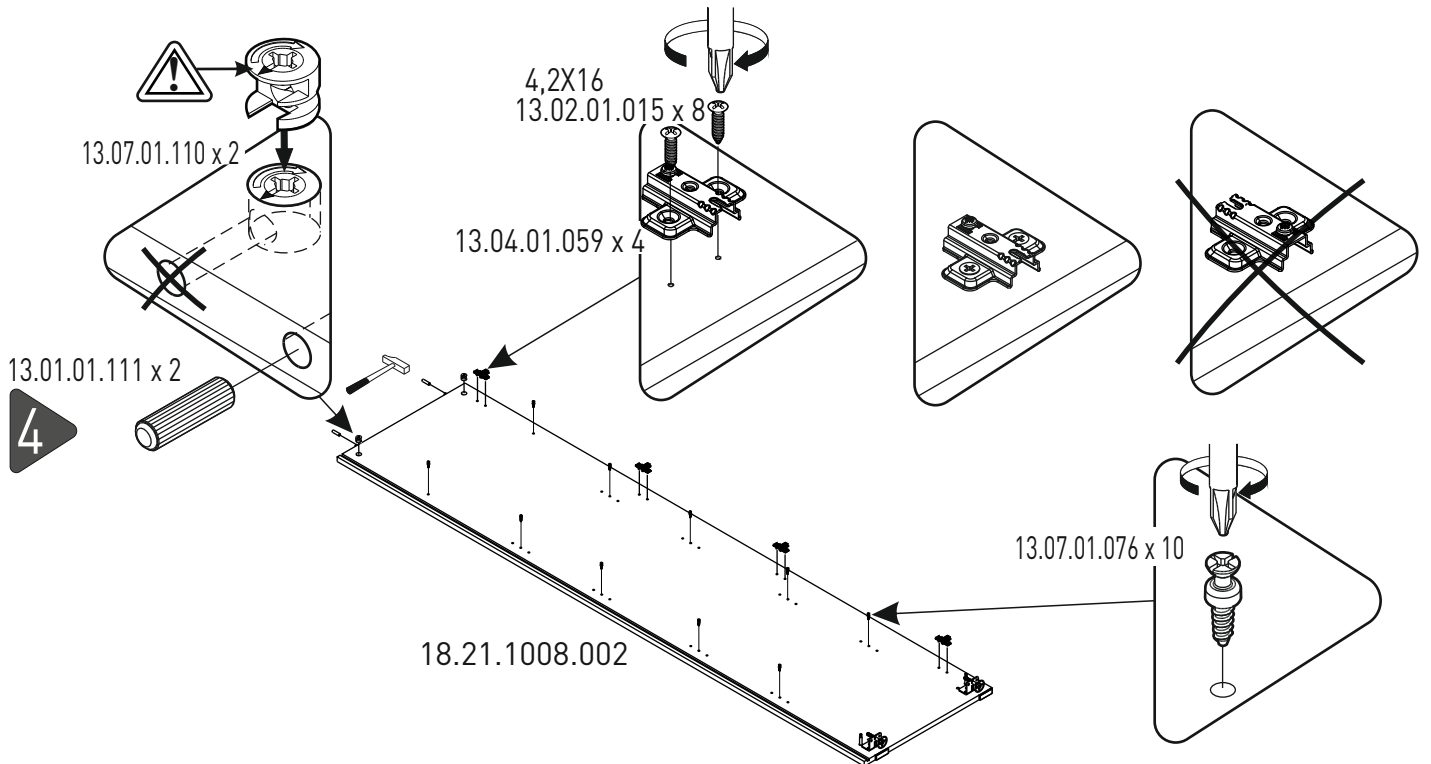
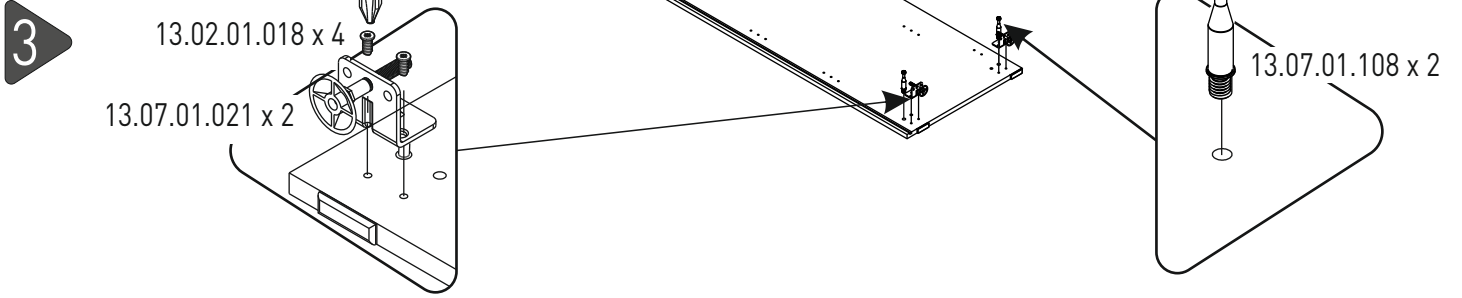
1

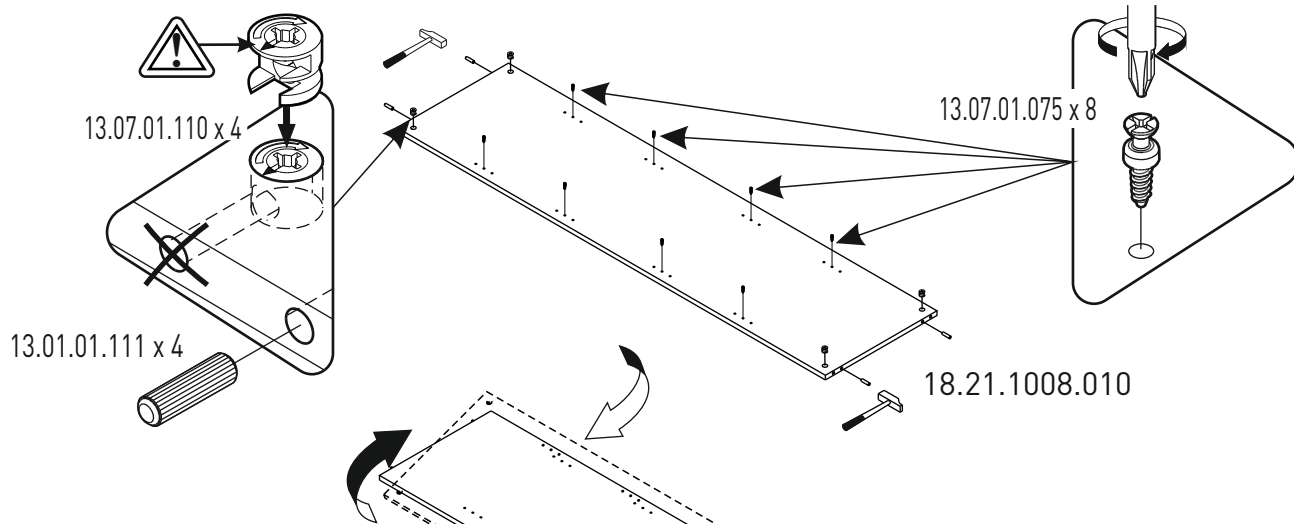


2

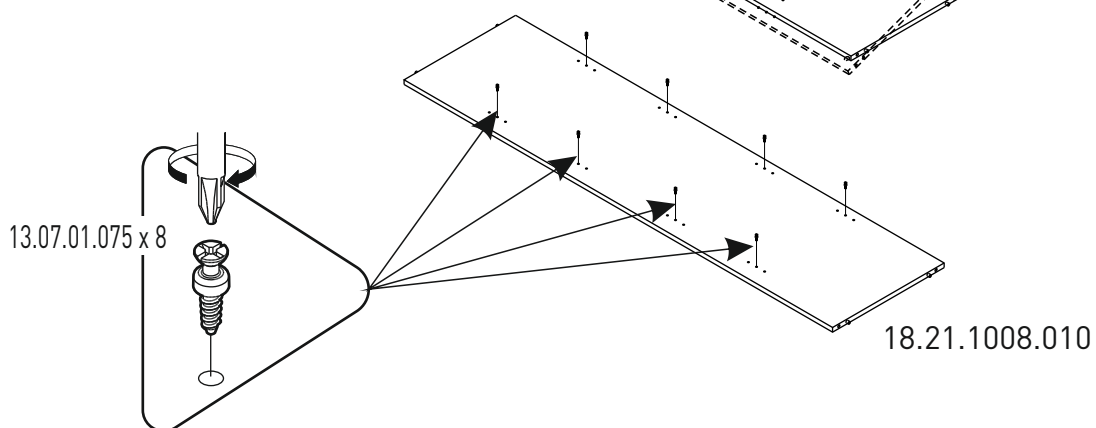




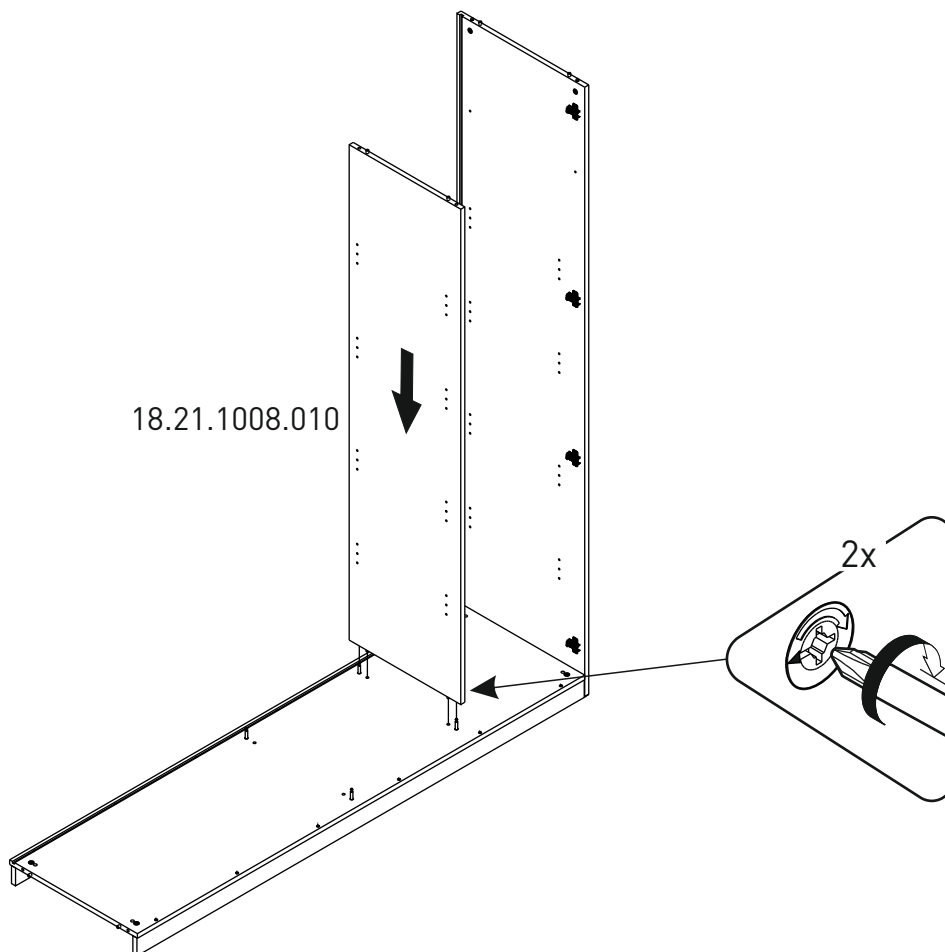




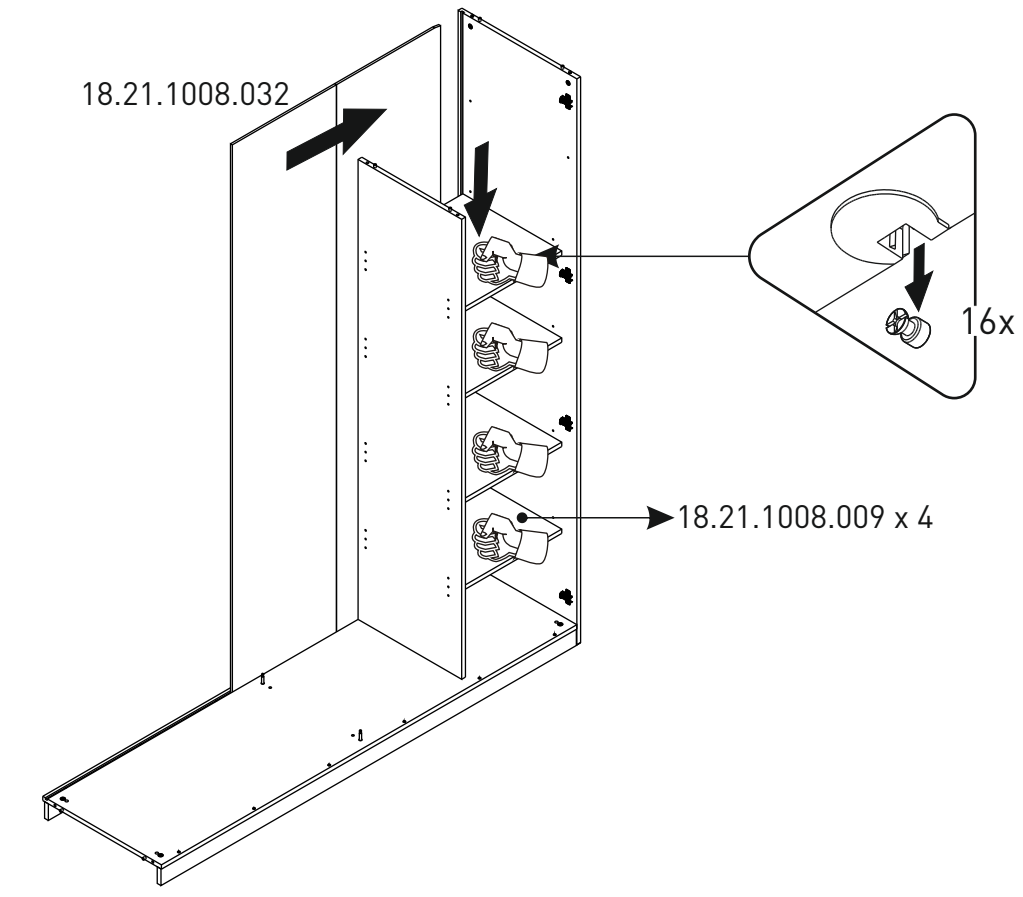
6



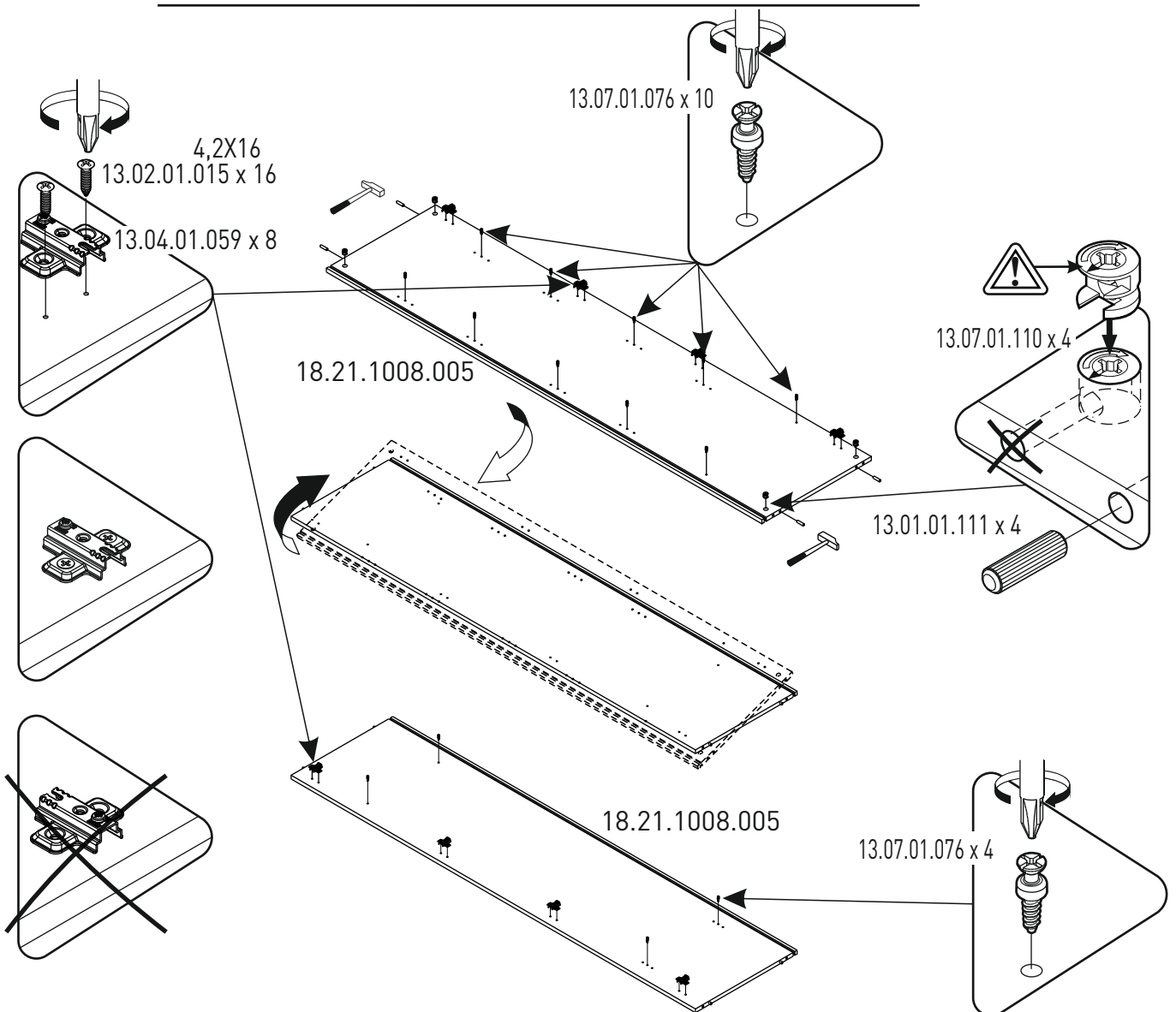
7



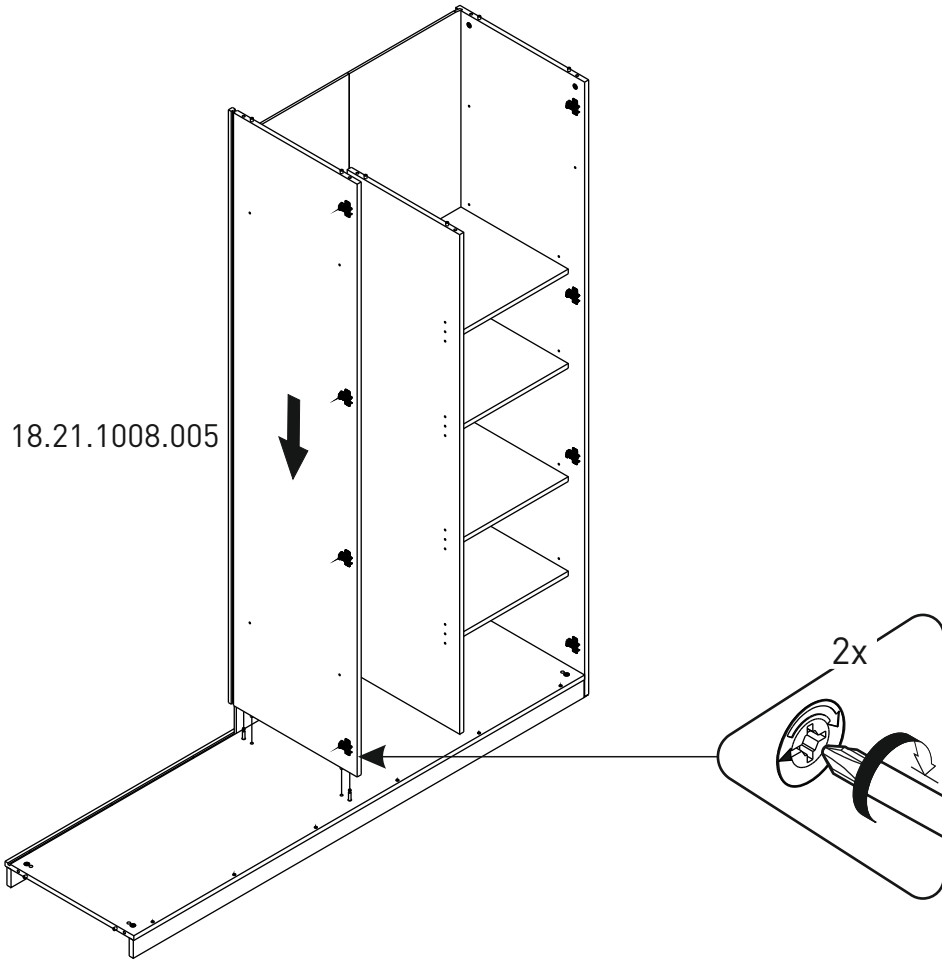
8



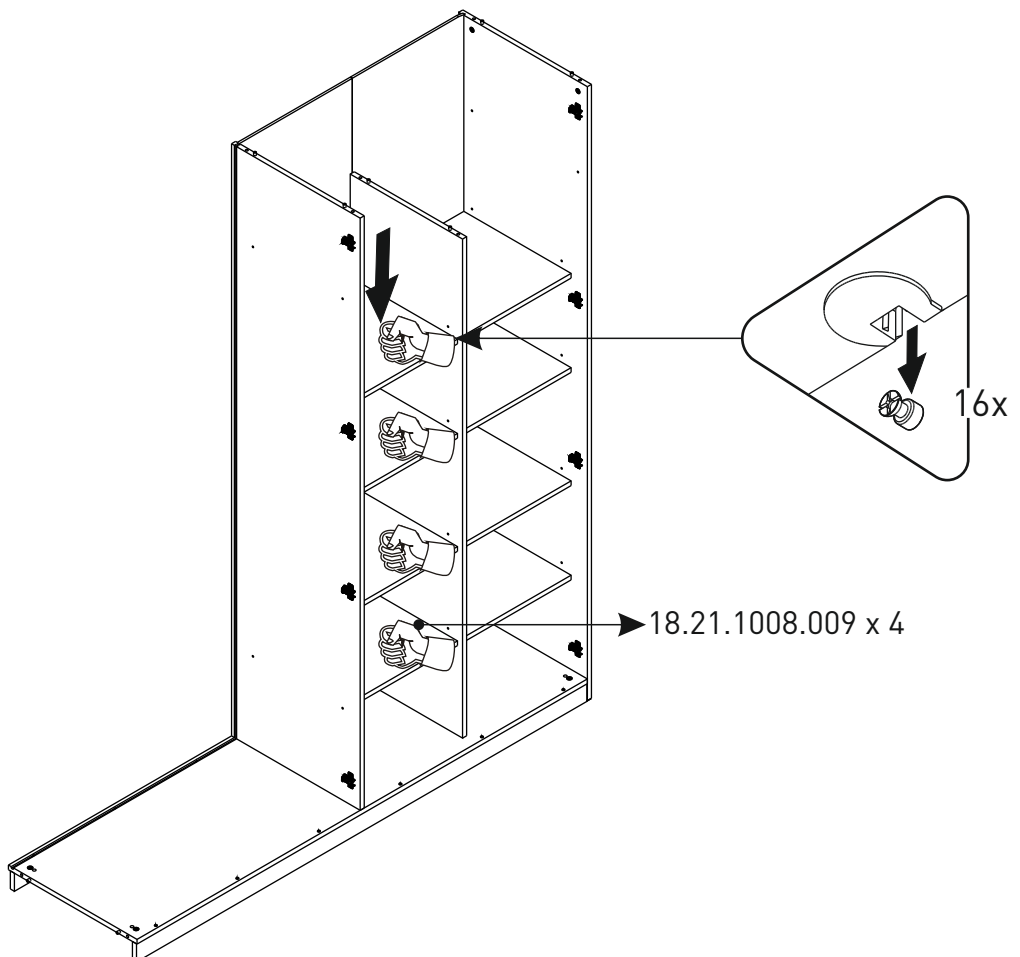
9



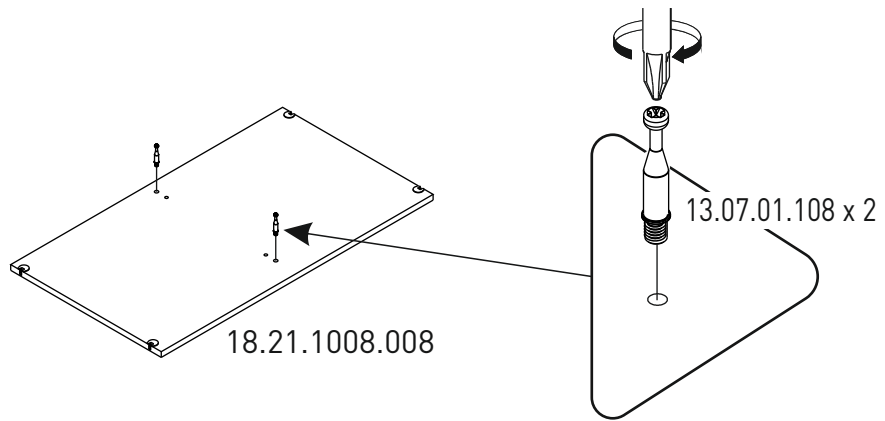
10



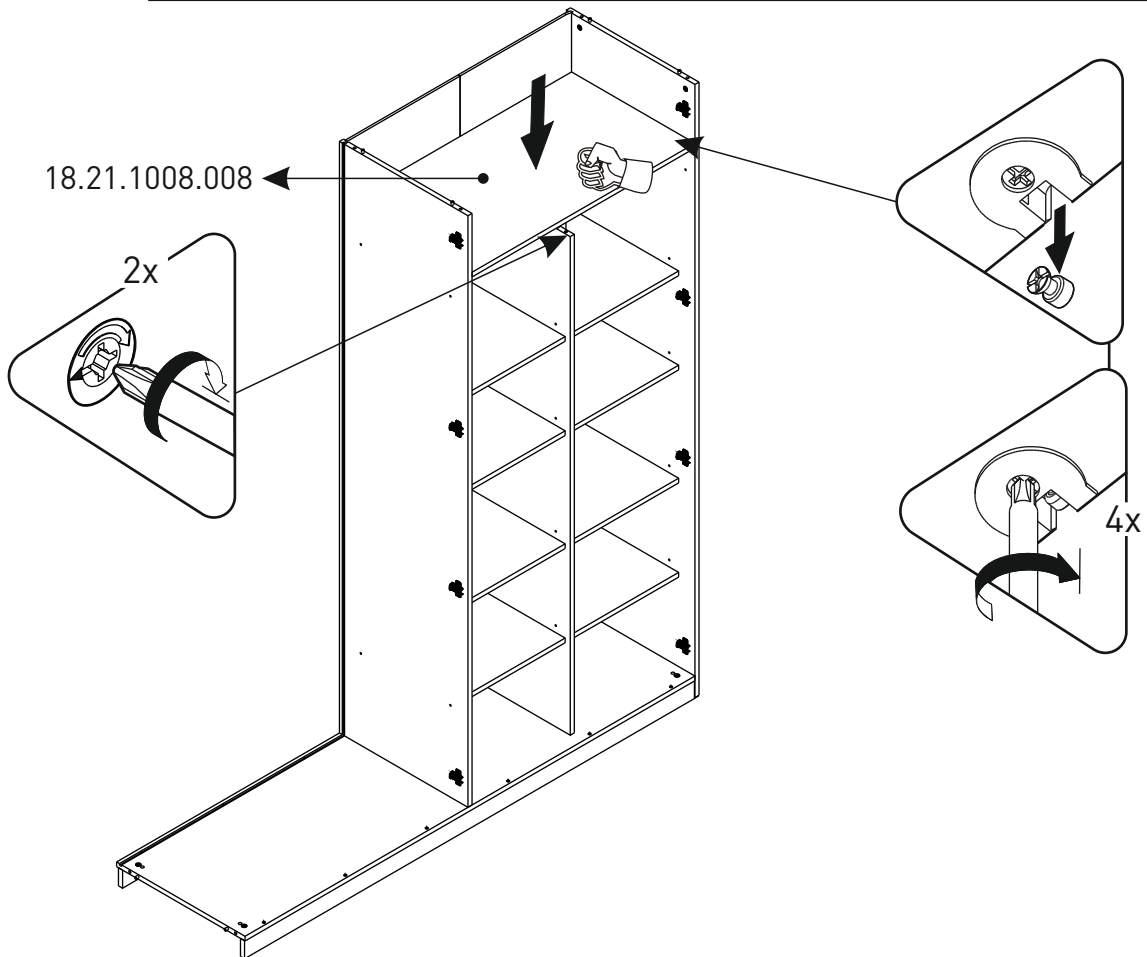
11



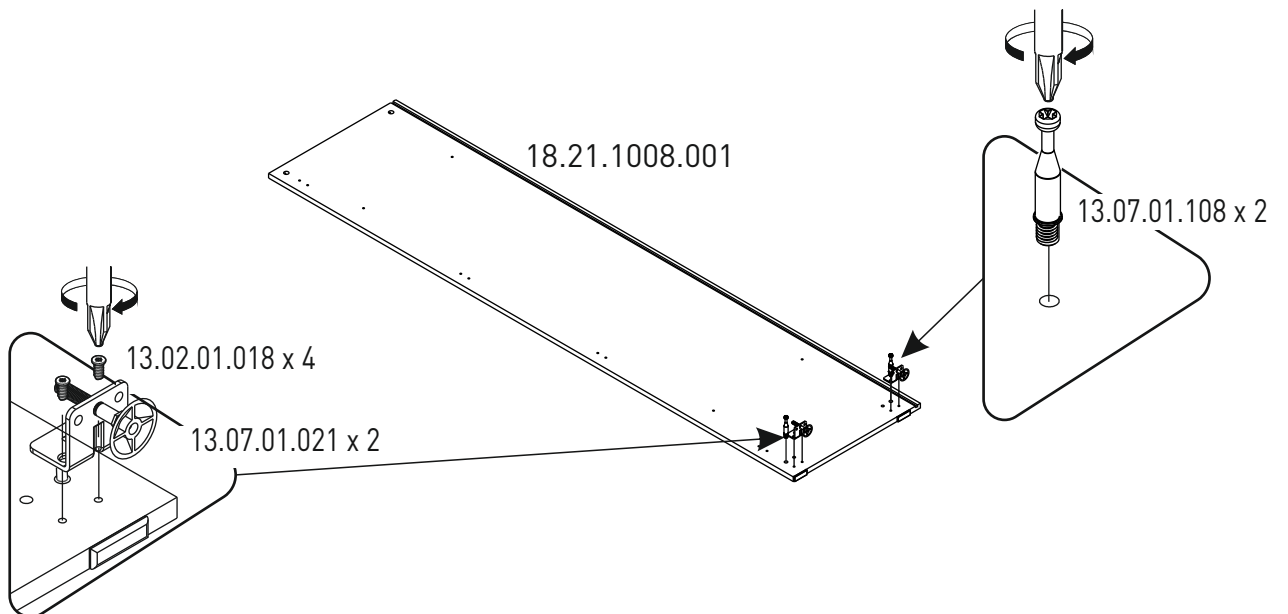
12



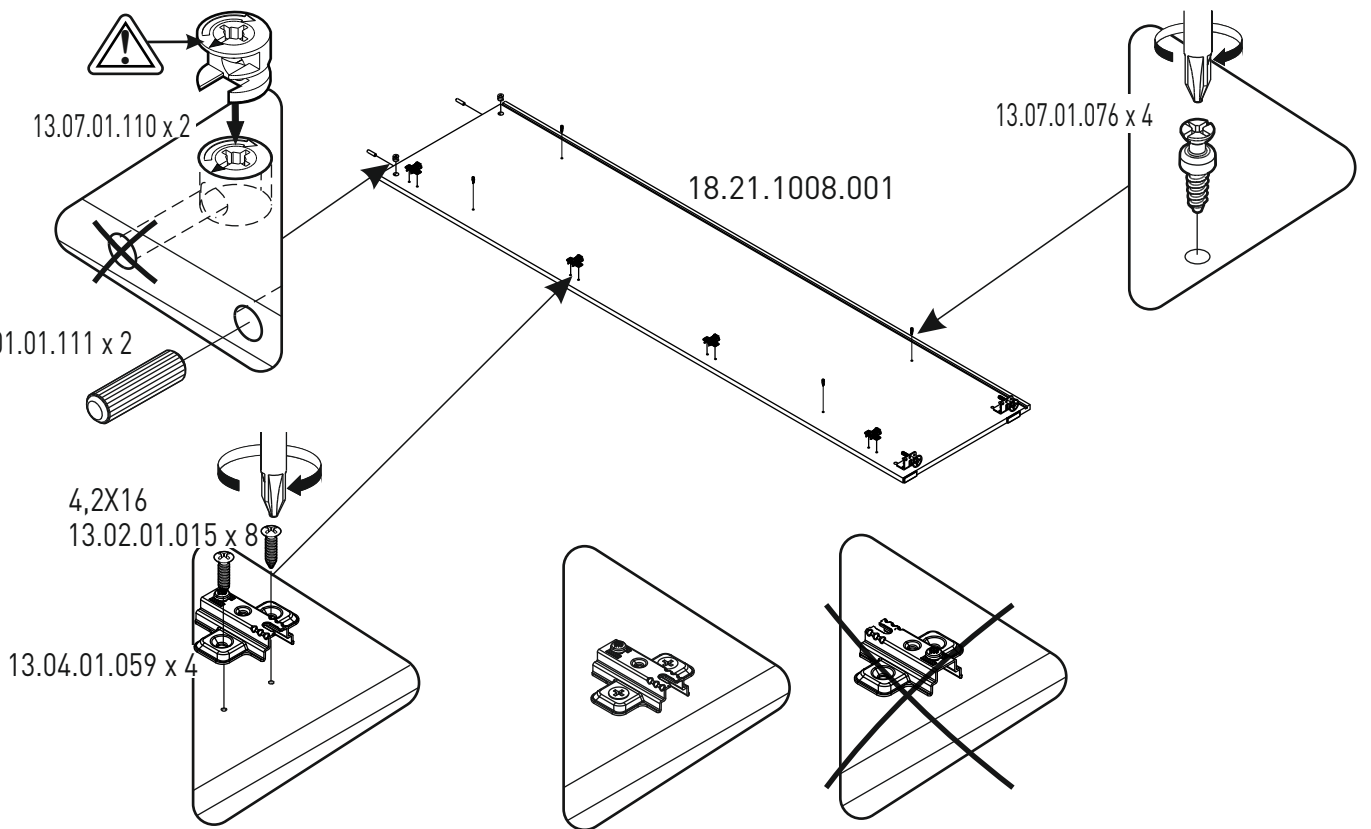
13



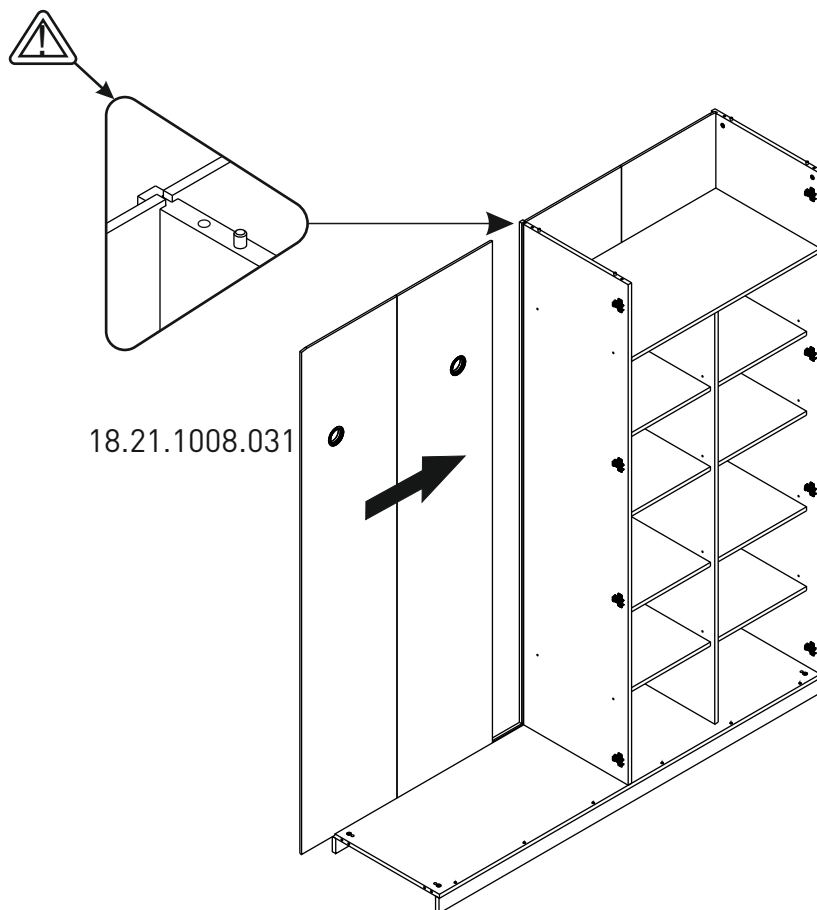
14



15

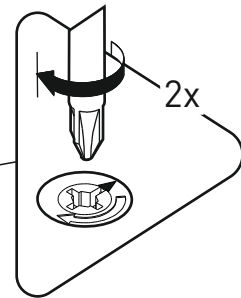
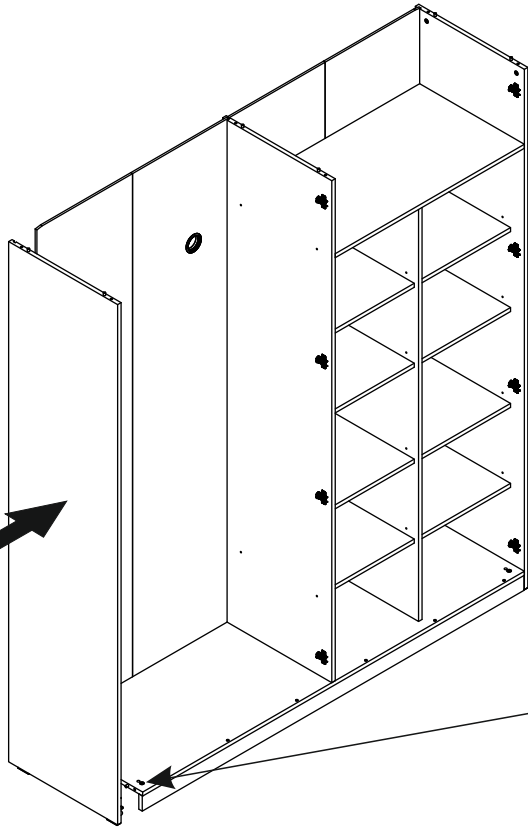


16



17

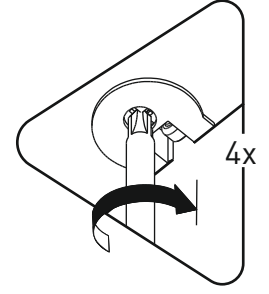
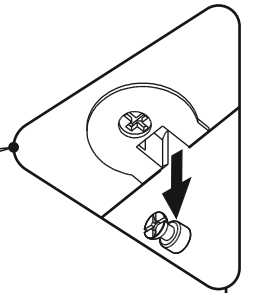
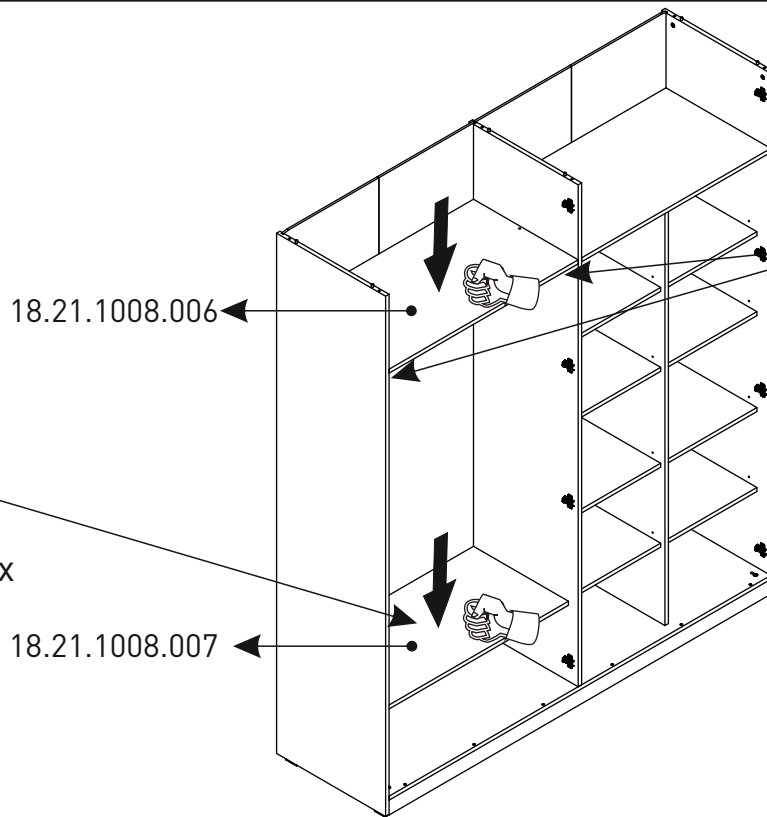
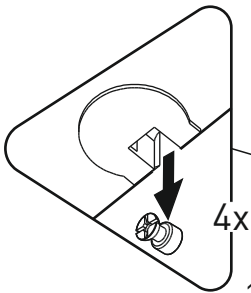
18.21.1008.001



18

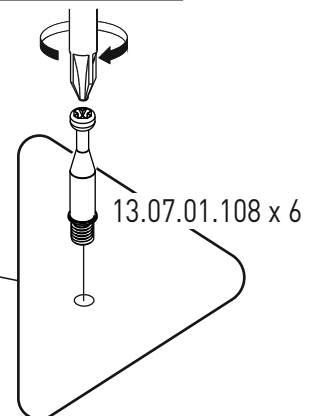
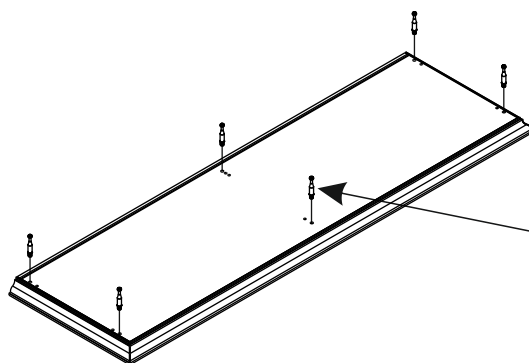
18.21.1008.006

18.21.1008.007

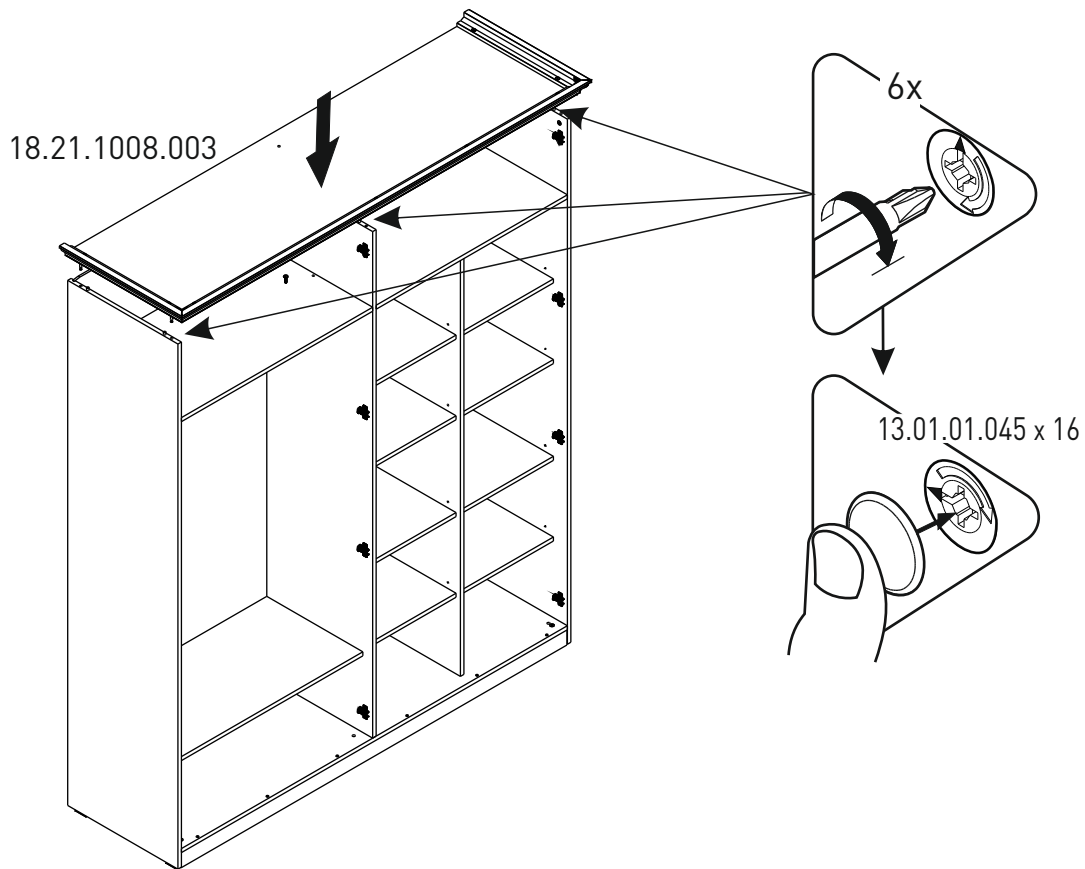


19

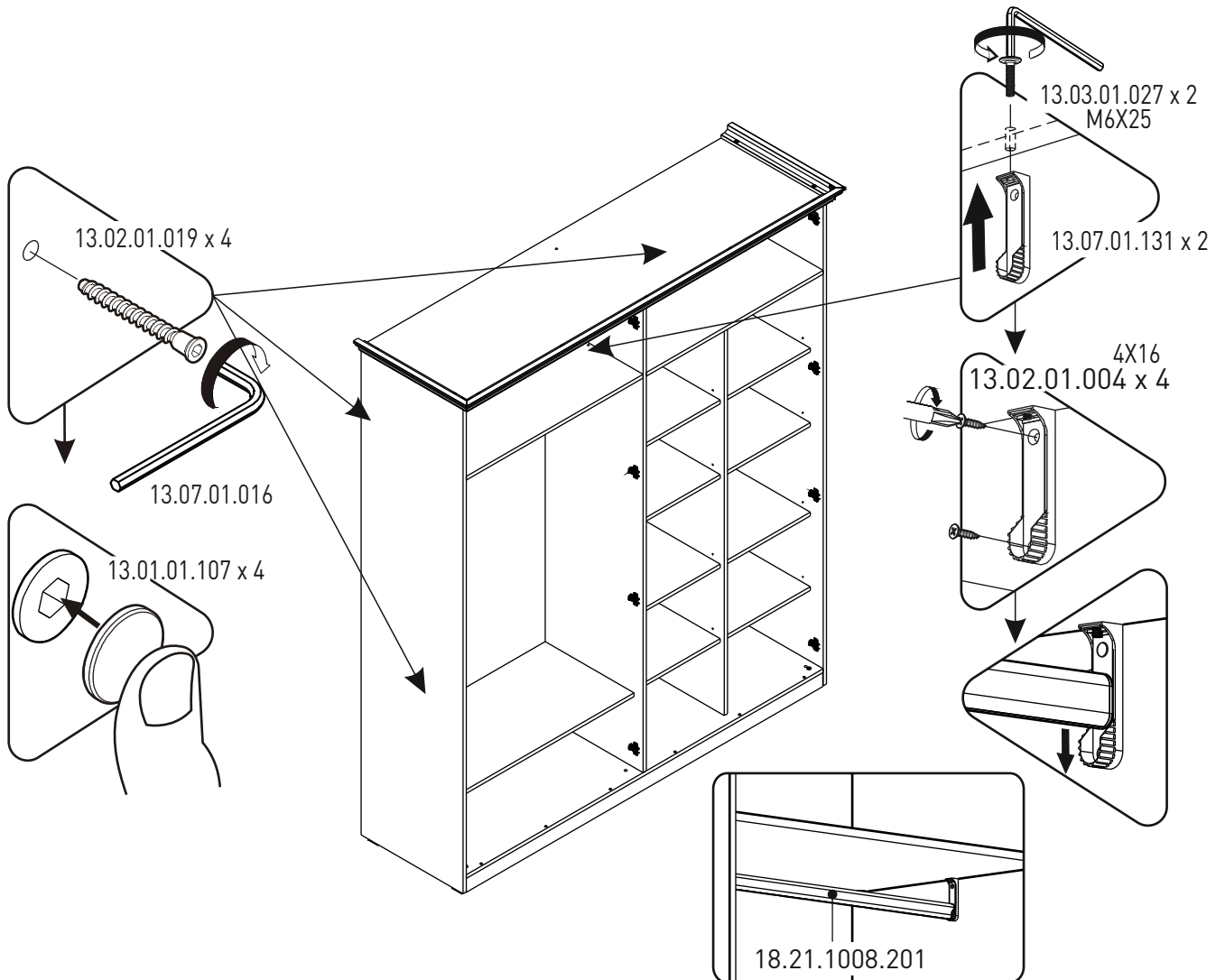
18.21.1008.003



20

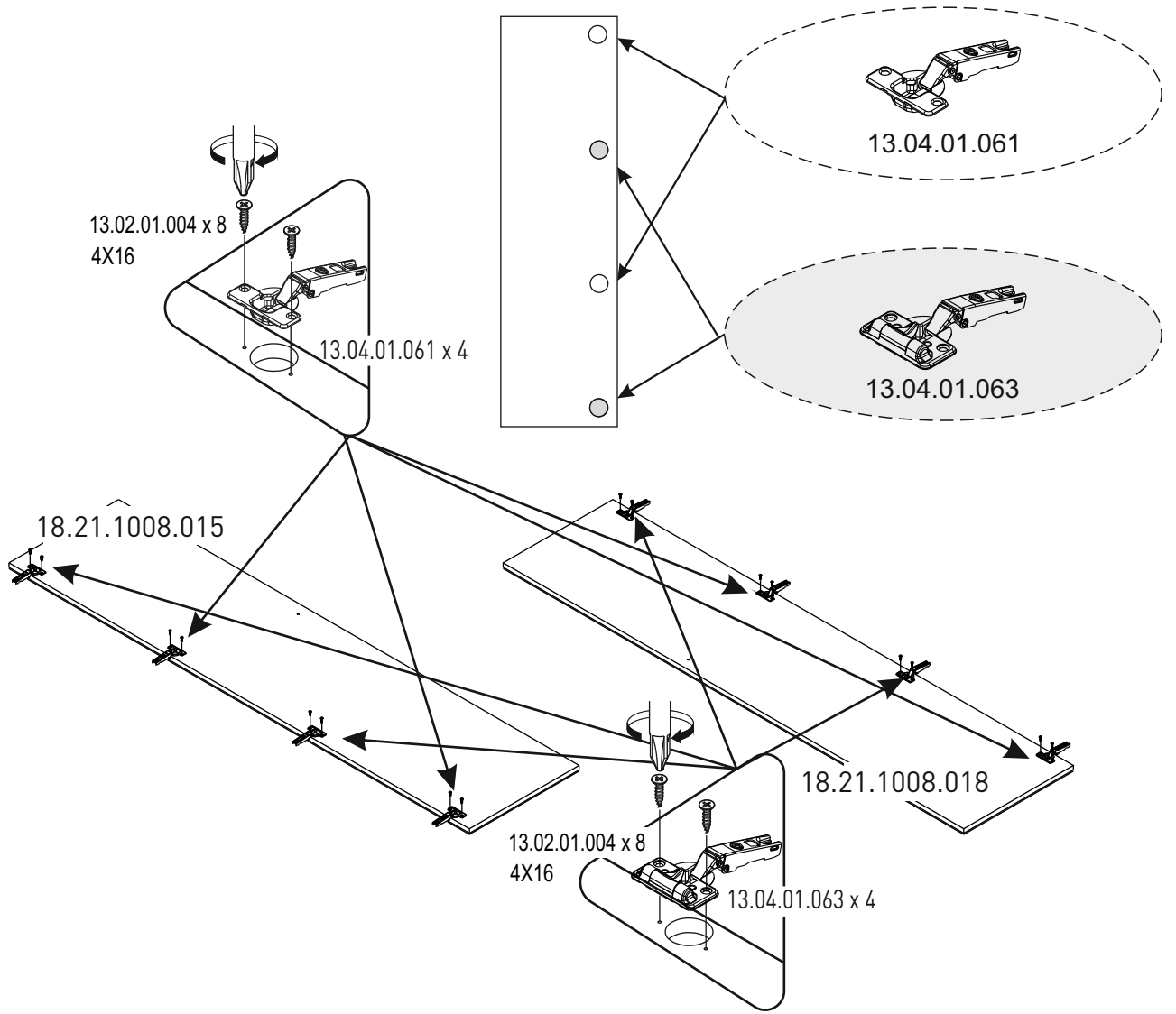


21

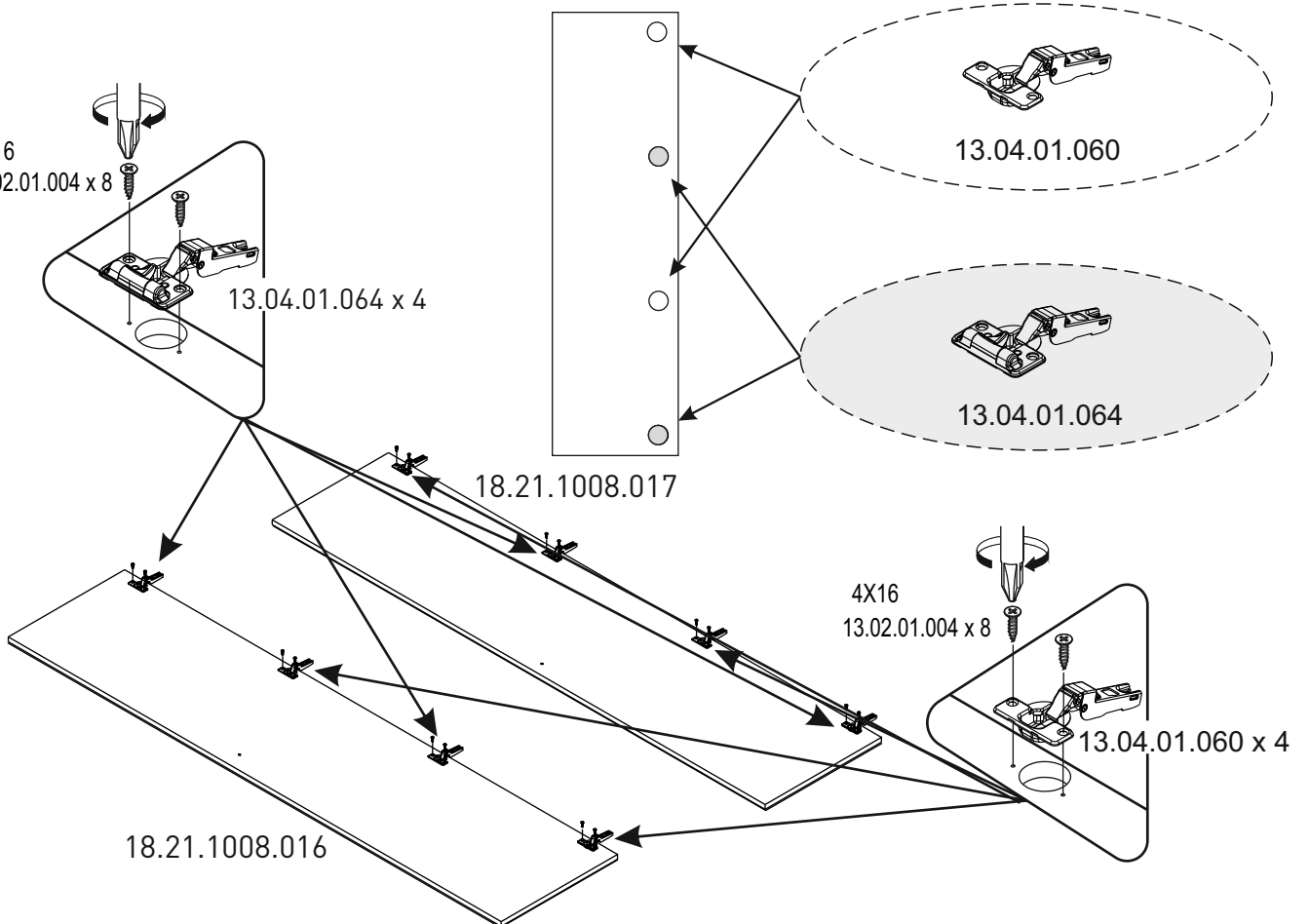




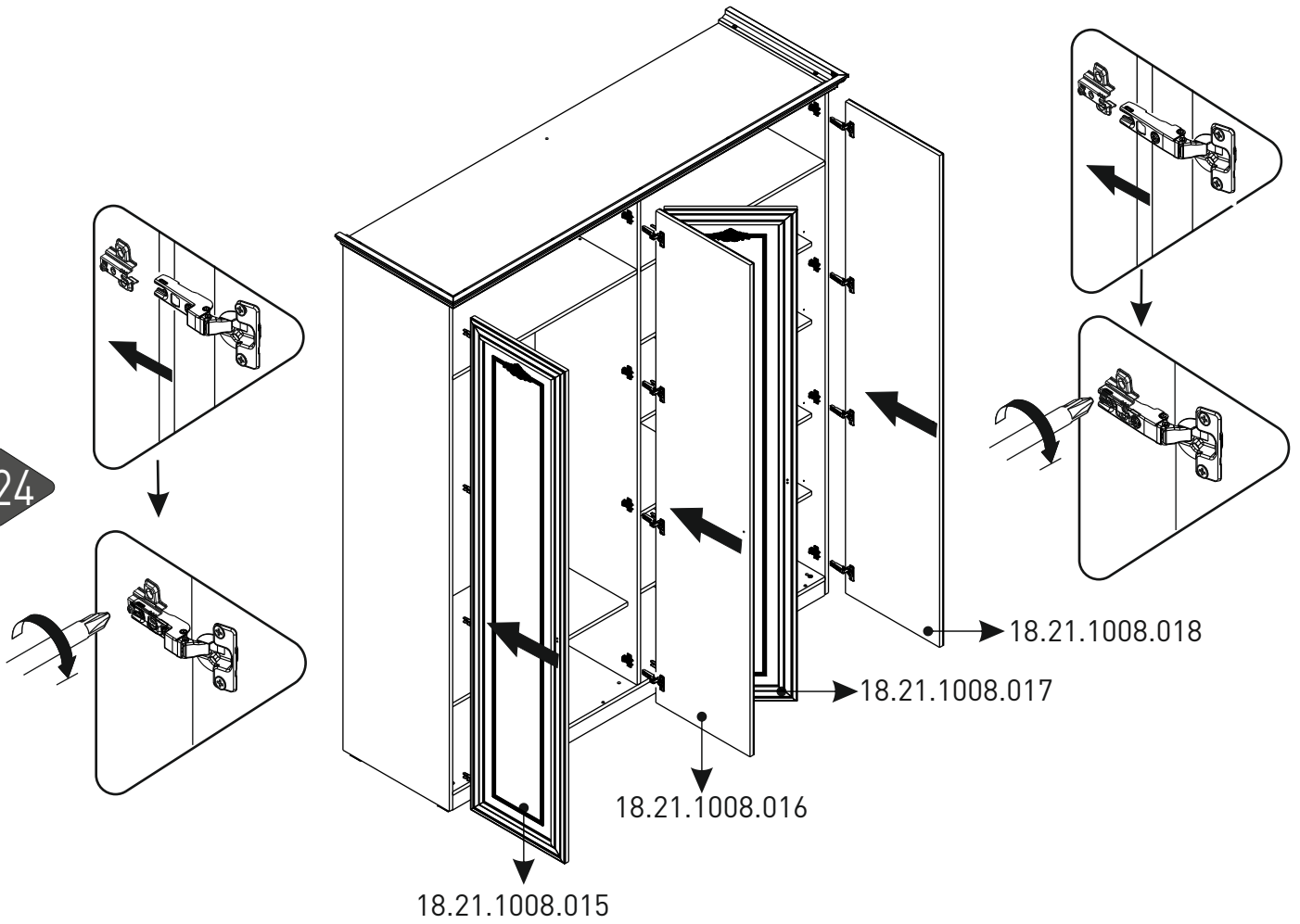
22



23



24



25

