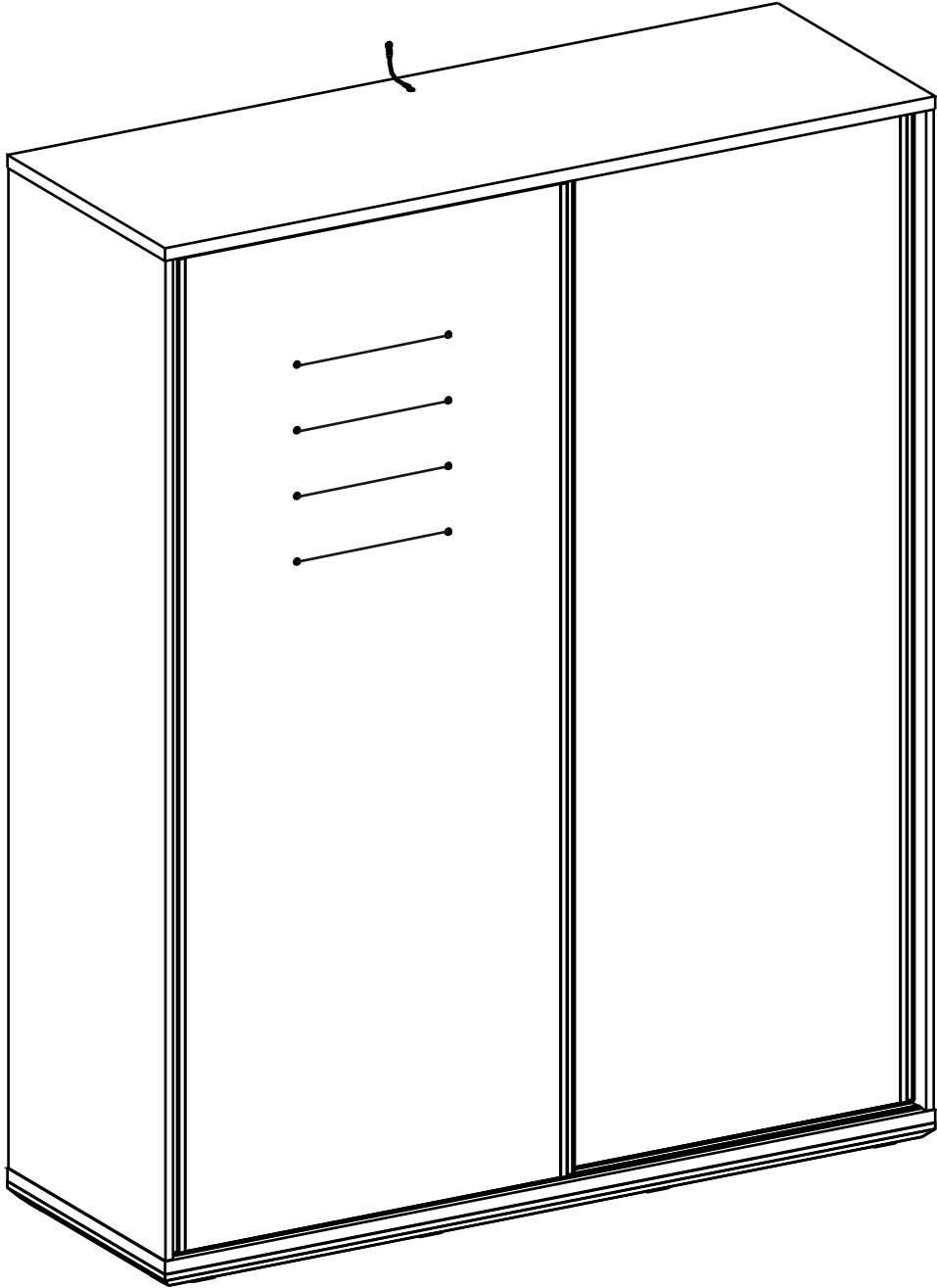
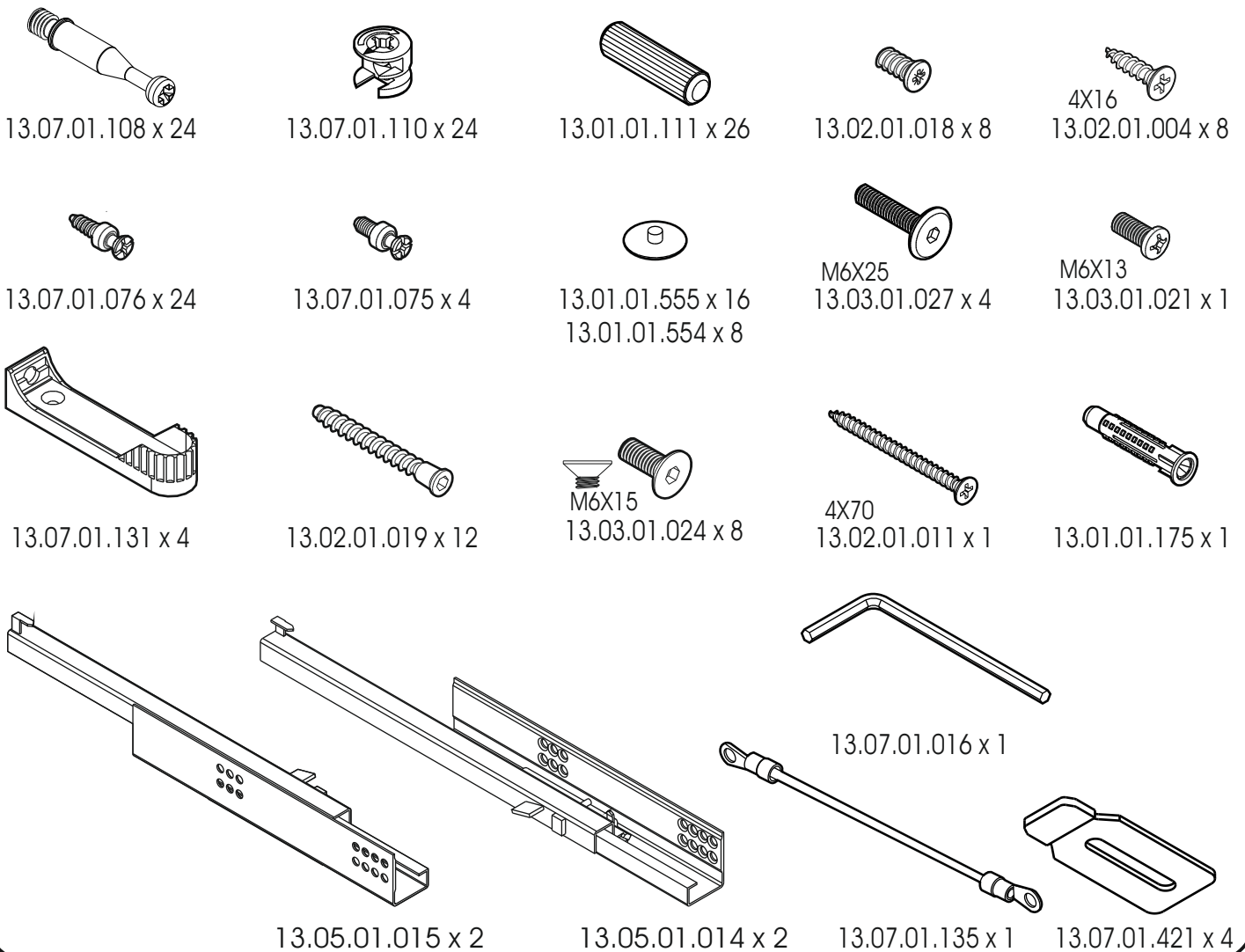
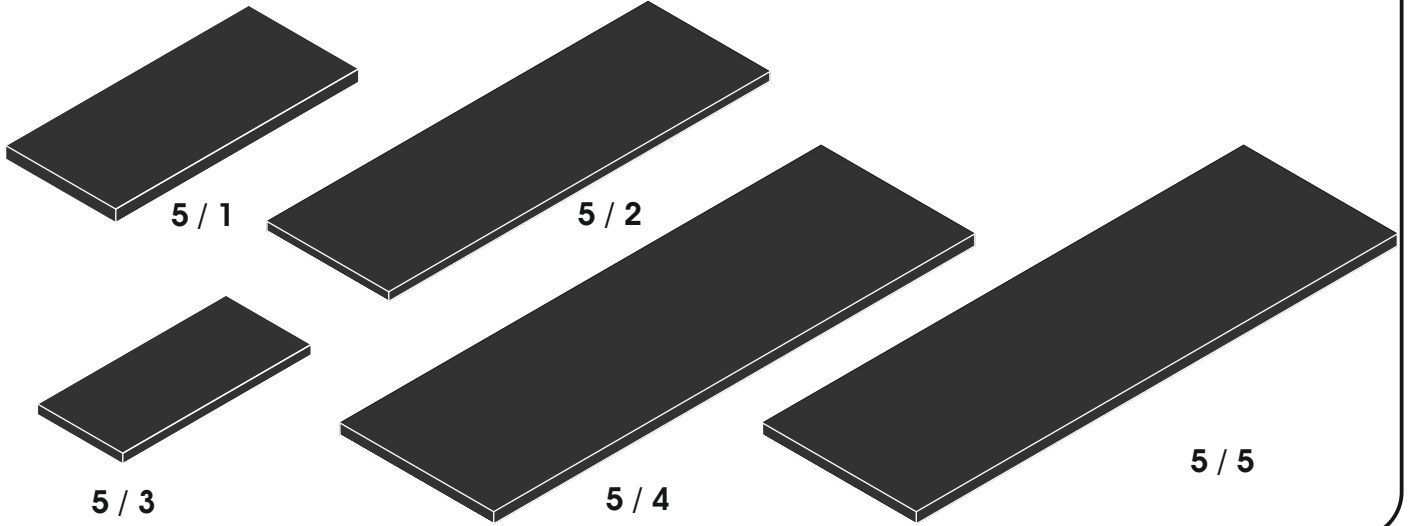
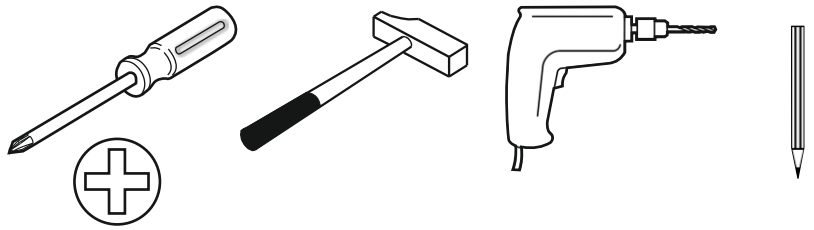
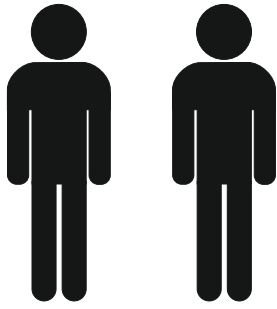
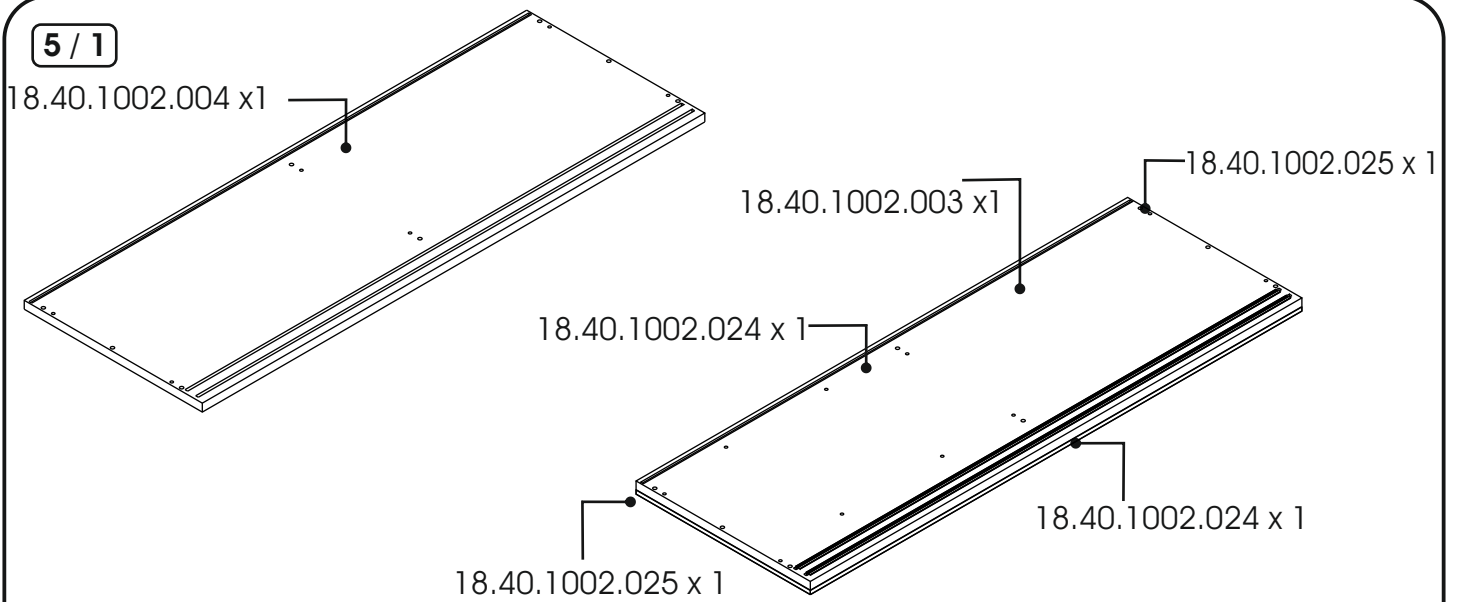


20.40.1002.00

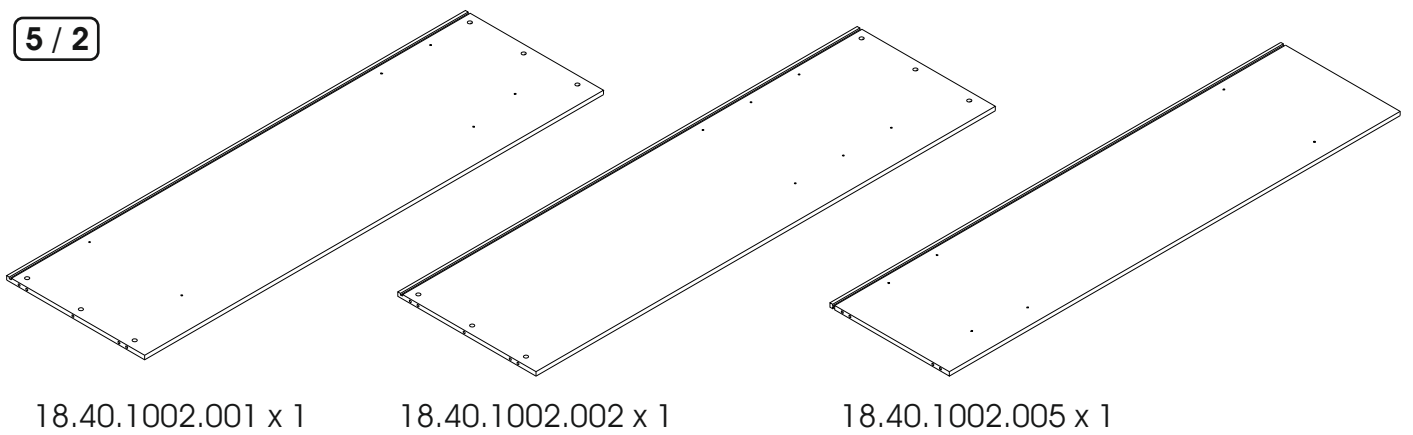




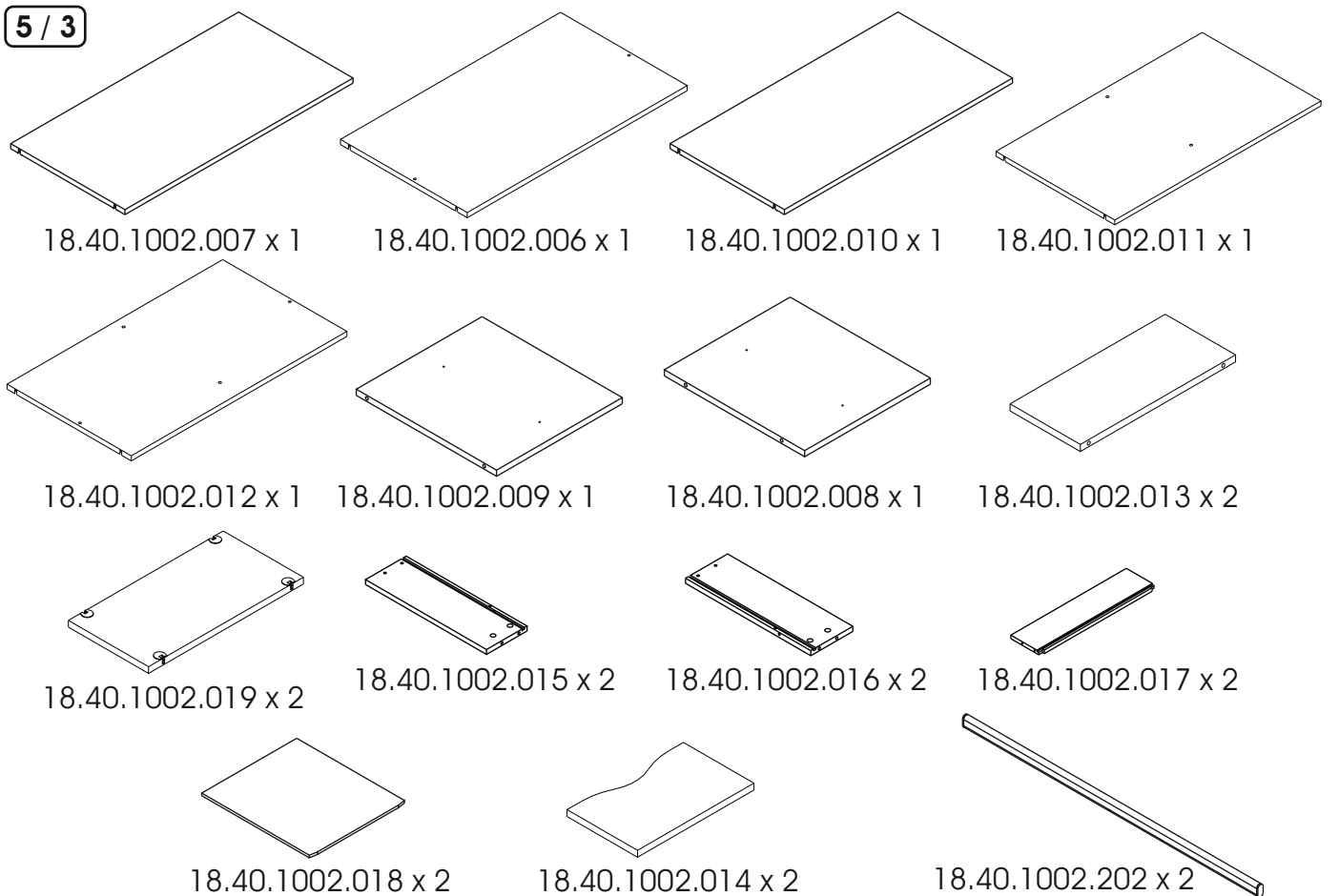
5 / 1



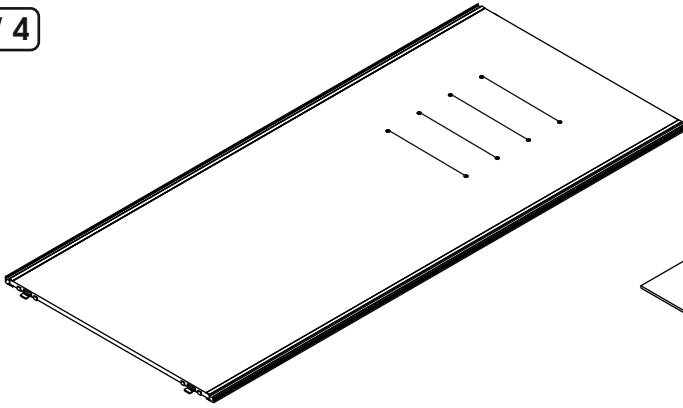
5 / 2



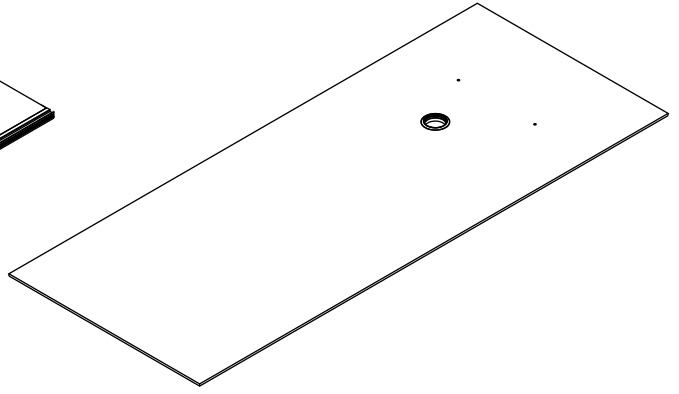
5 / 3



5 / 4

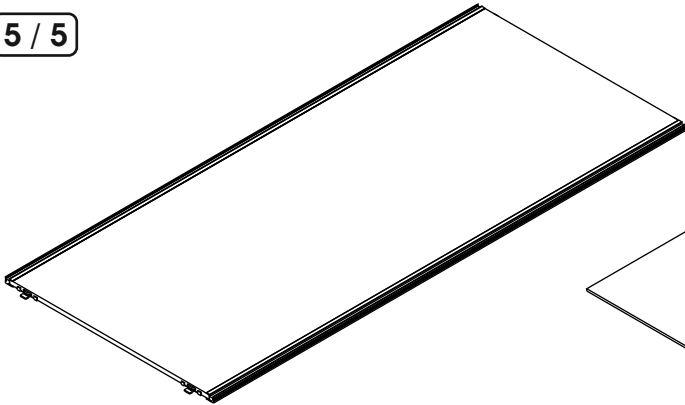


18.40.1002.022 x 1

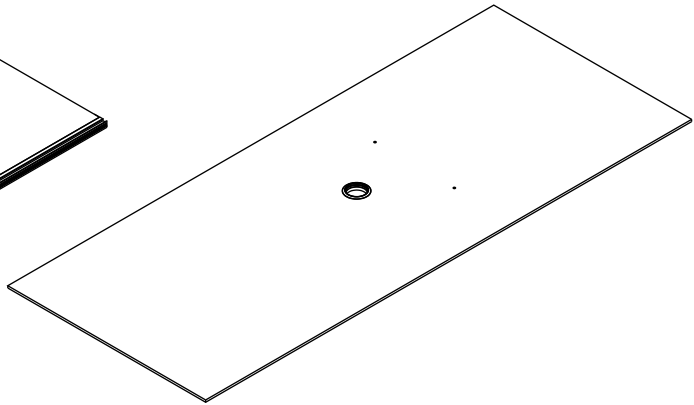


18.40.1002.020 x 1

5 / 5

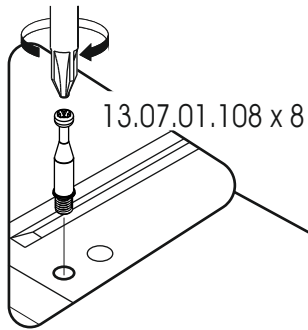


18.40.1002.023 x 1



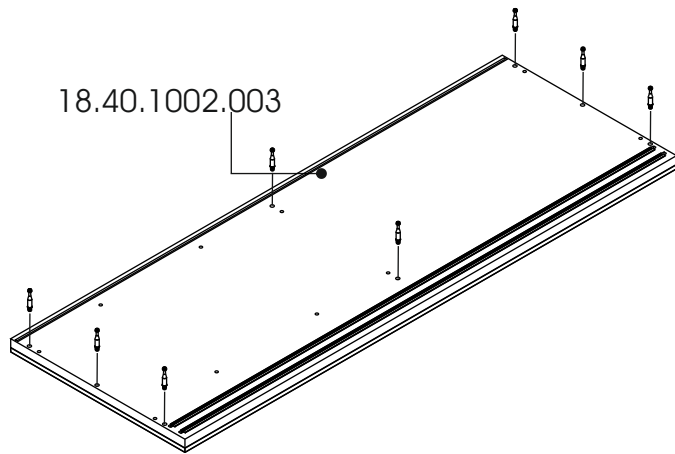
18.40.1002.021 x 1

1

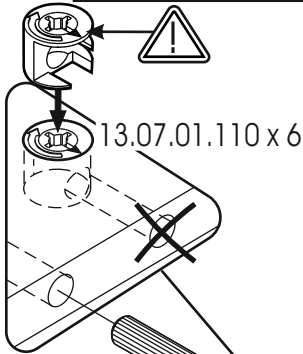


13.07.01.108 x 8

18.40.1002.003



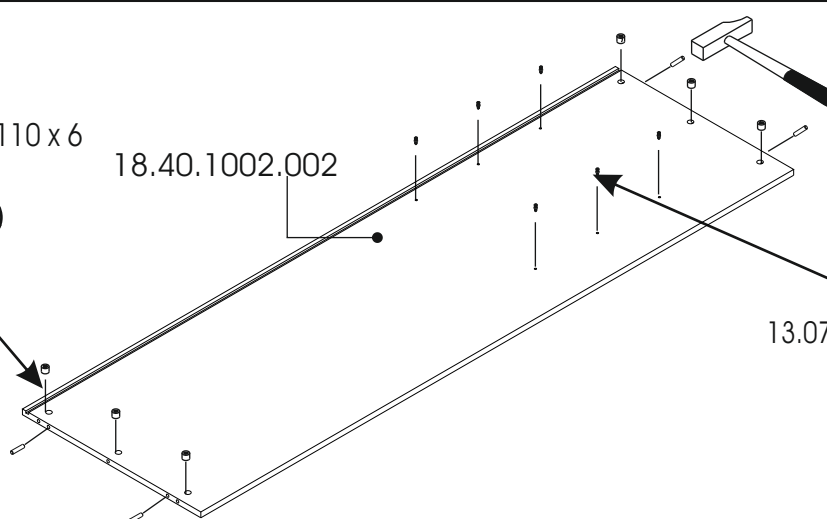
2



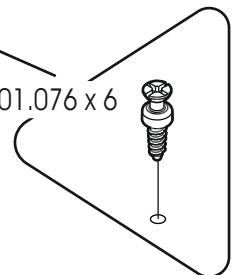
13.07.01.110 x 6

18.40.1002.002

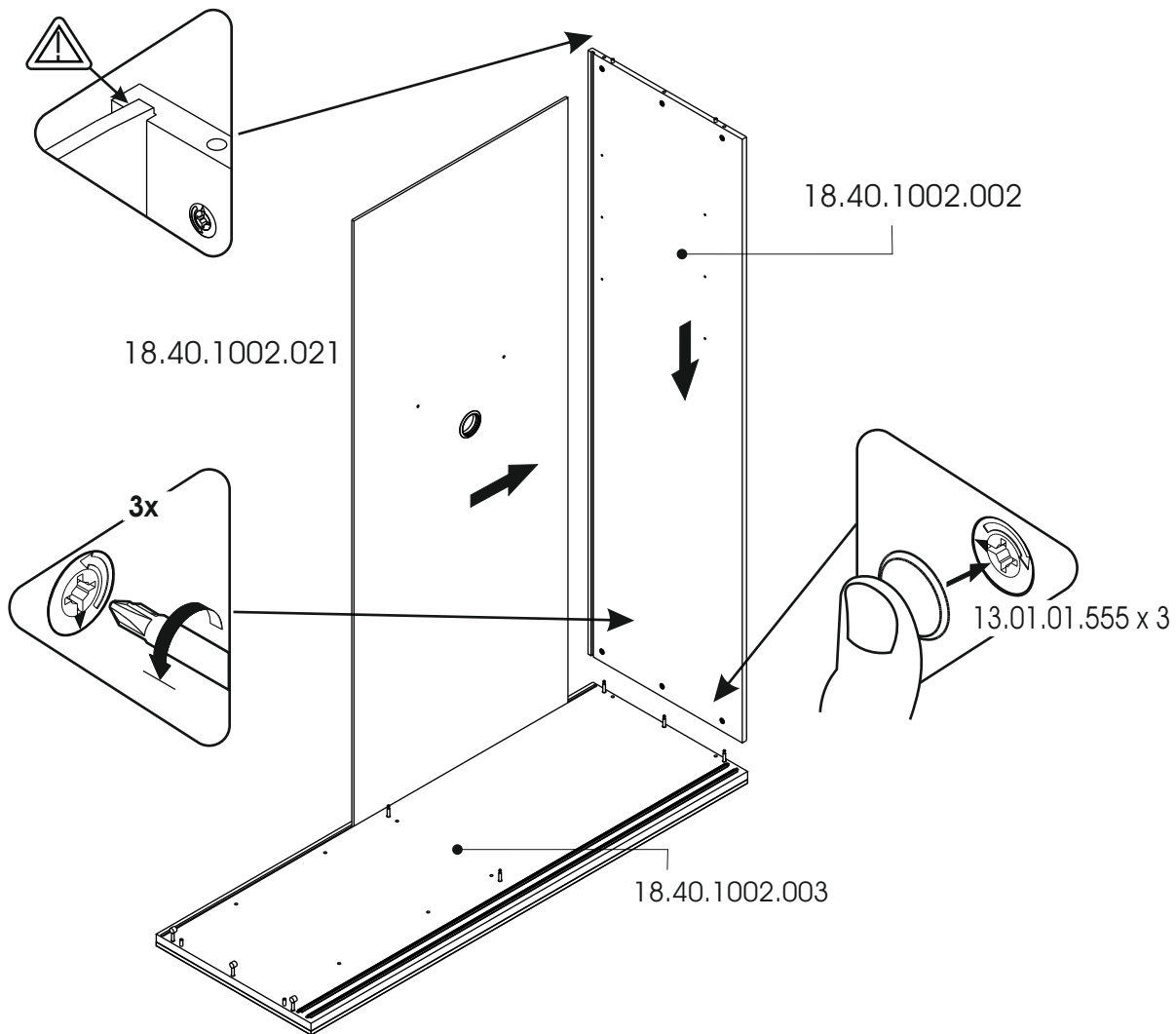
13.01.01.111 x 4



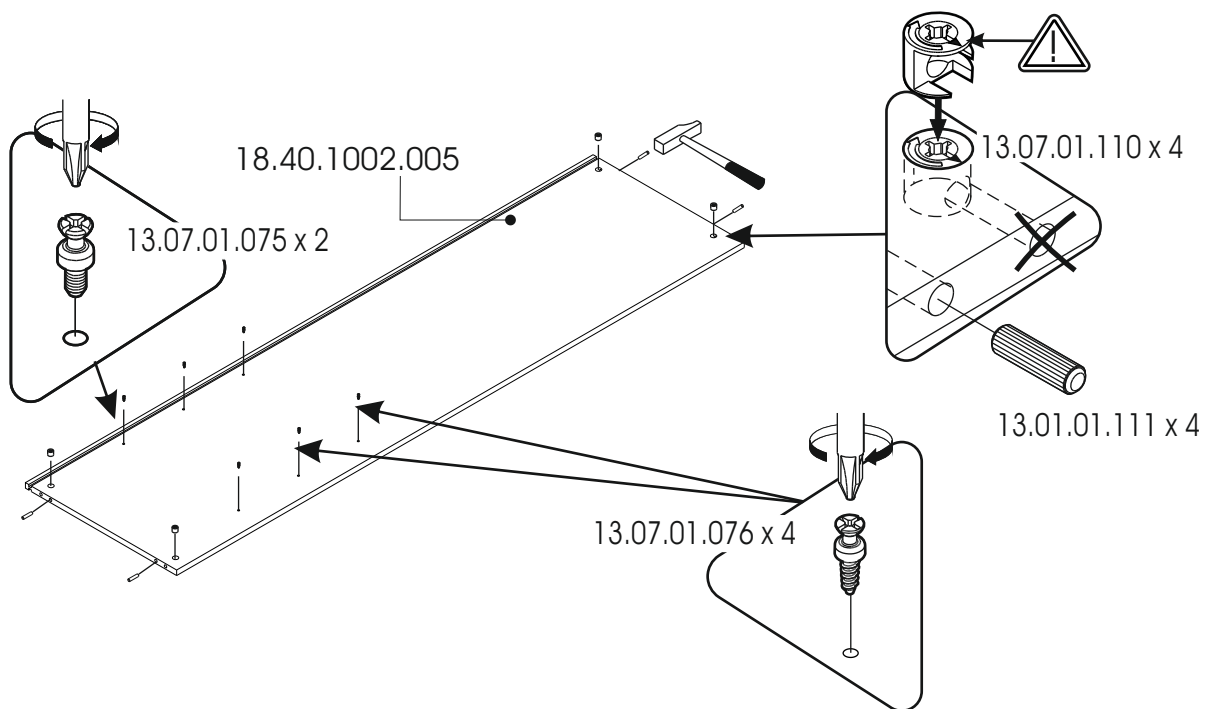
13.07.01.076 x 6



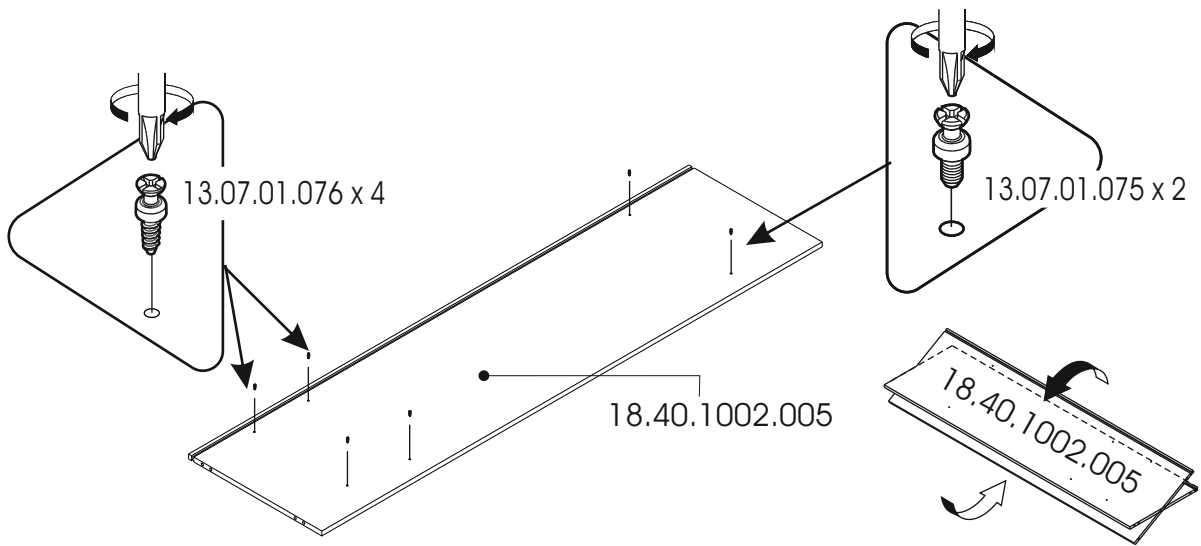
3



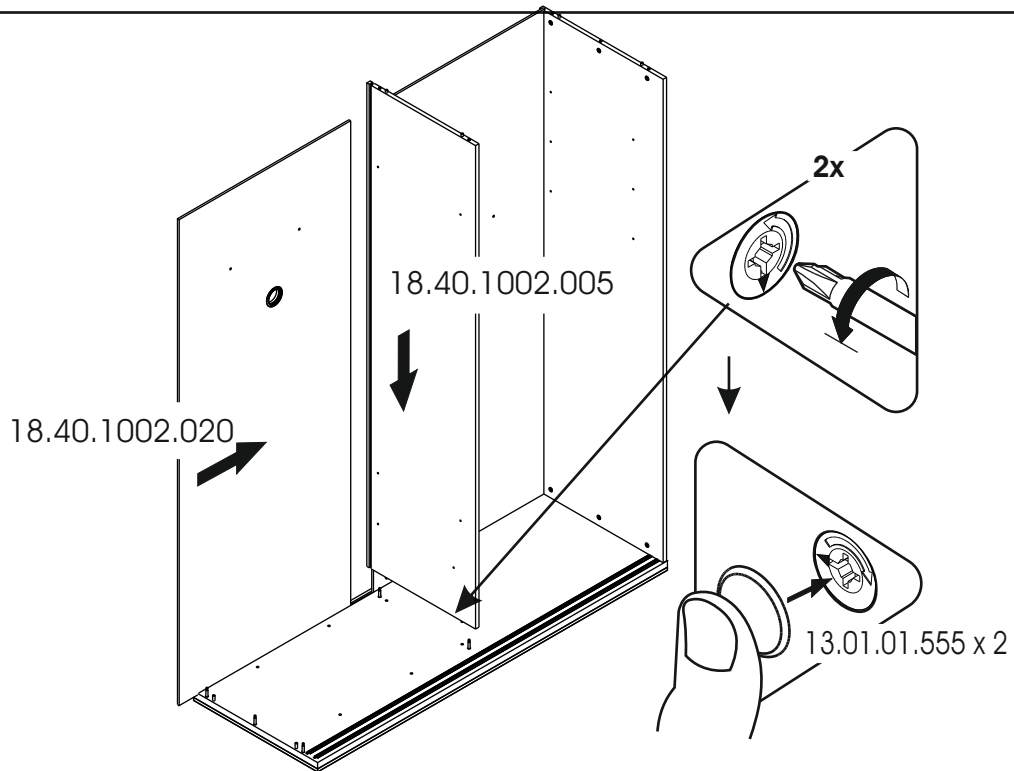
4



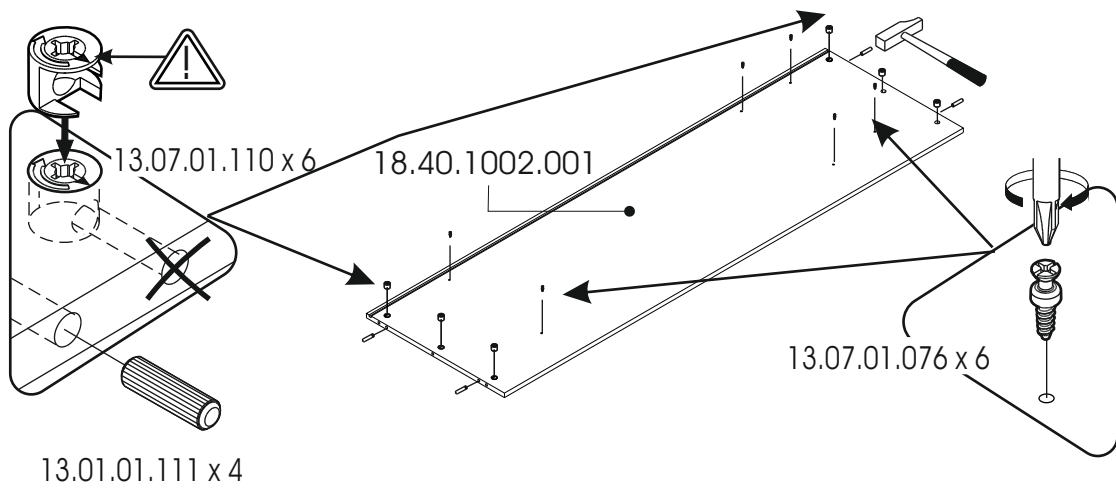
5



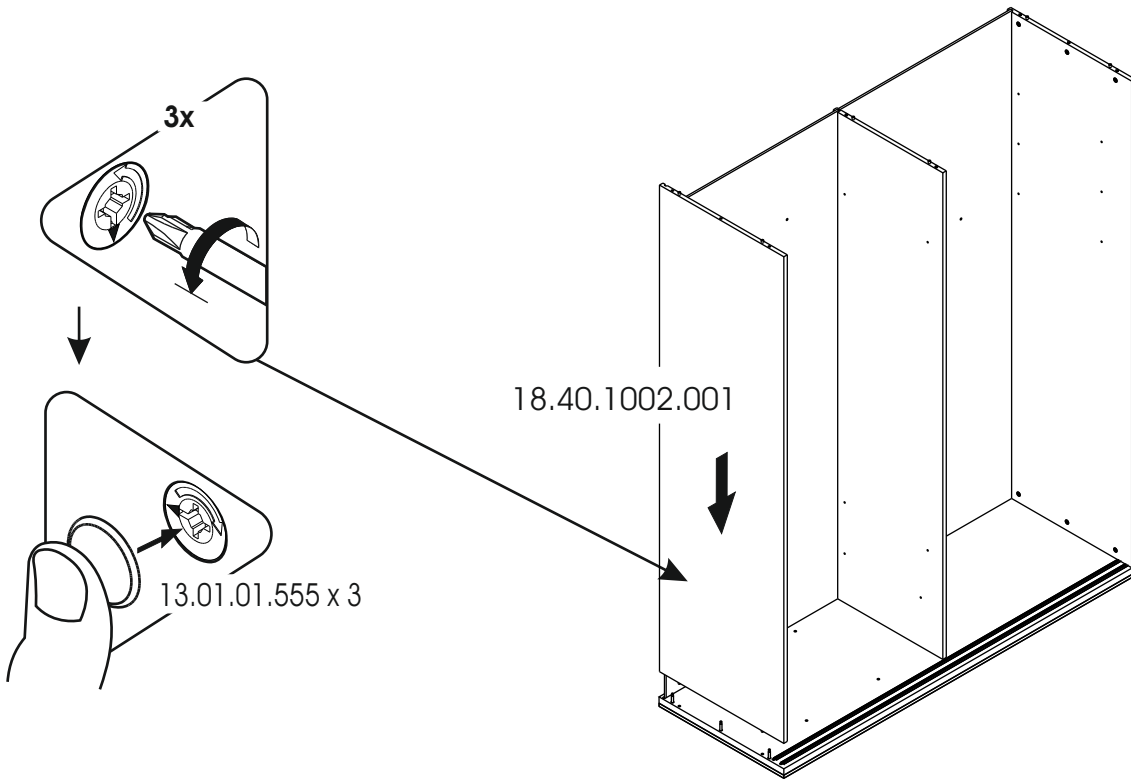
6



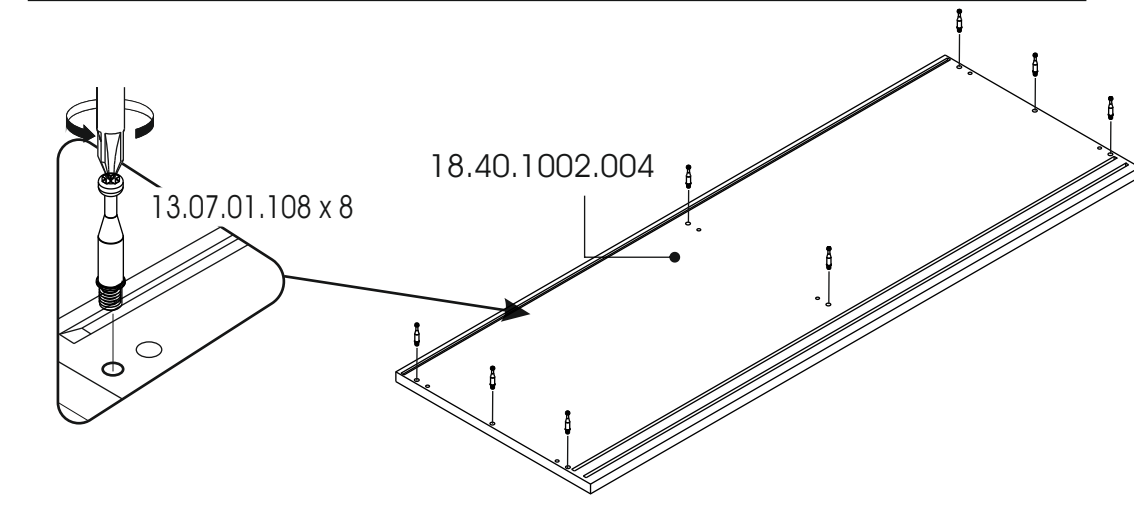
7



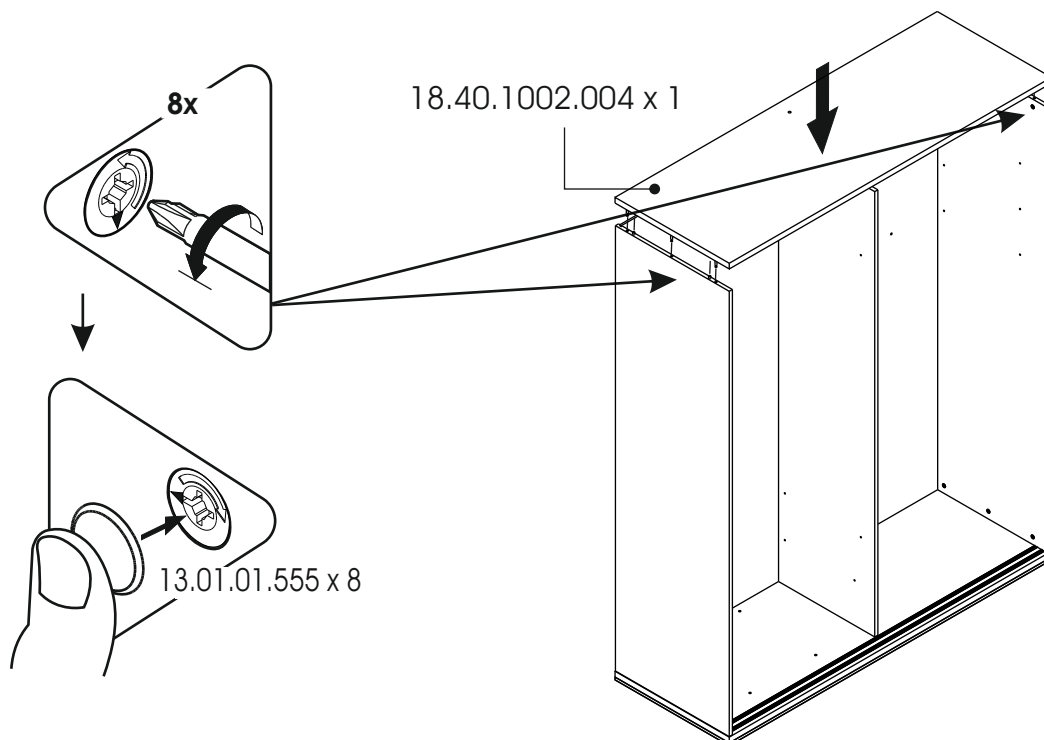
8



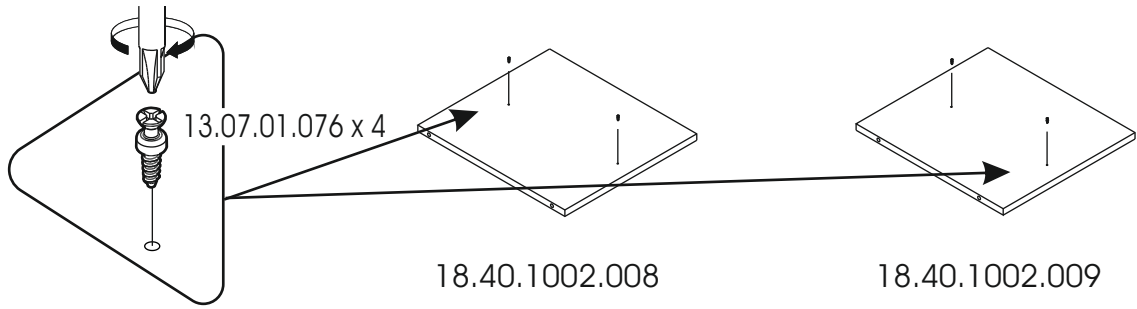
9



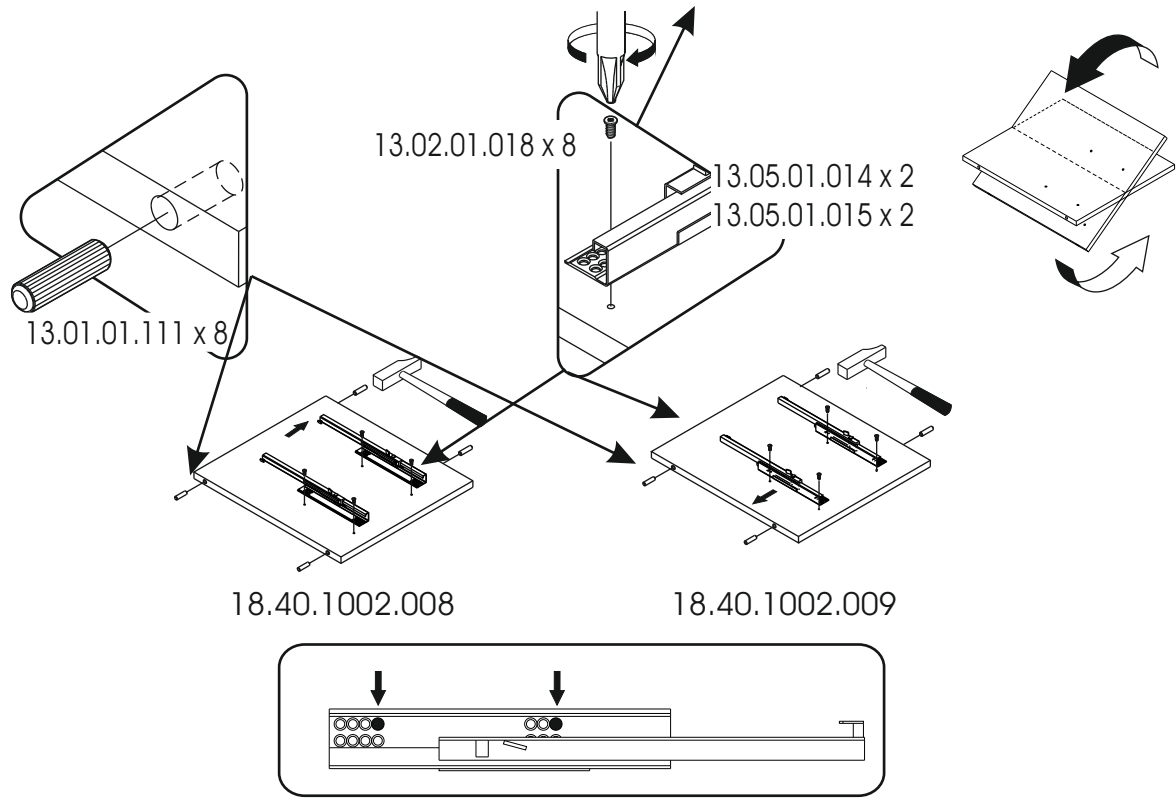
10



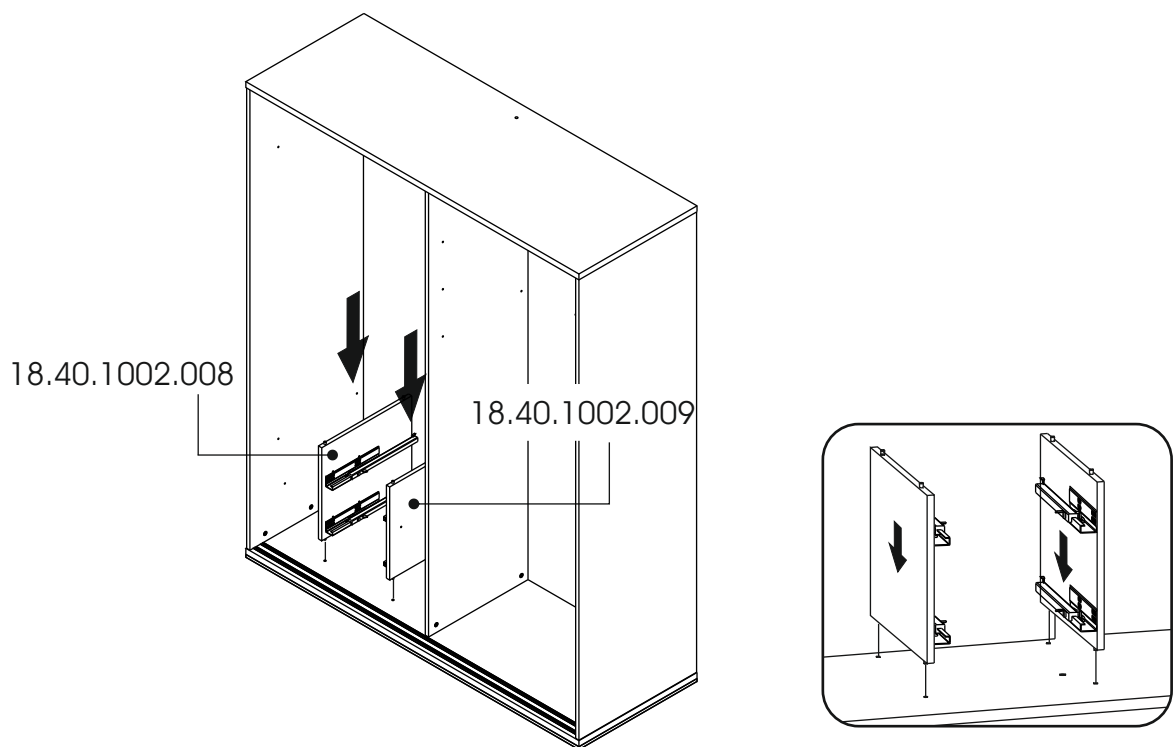
11



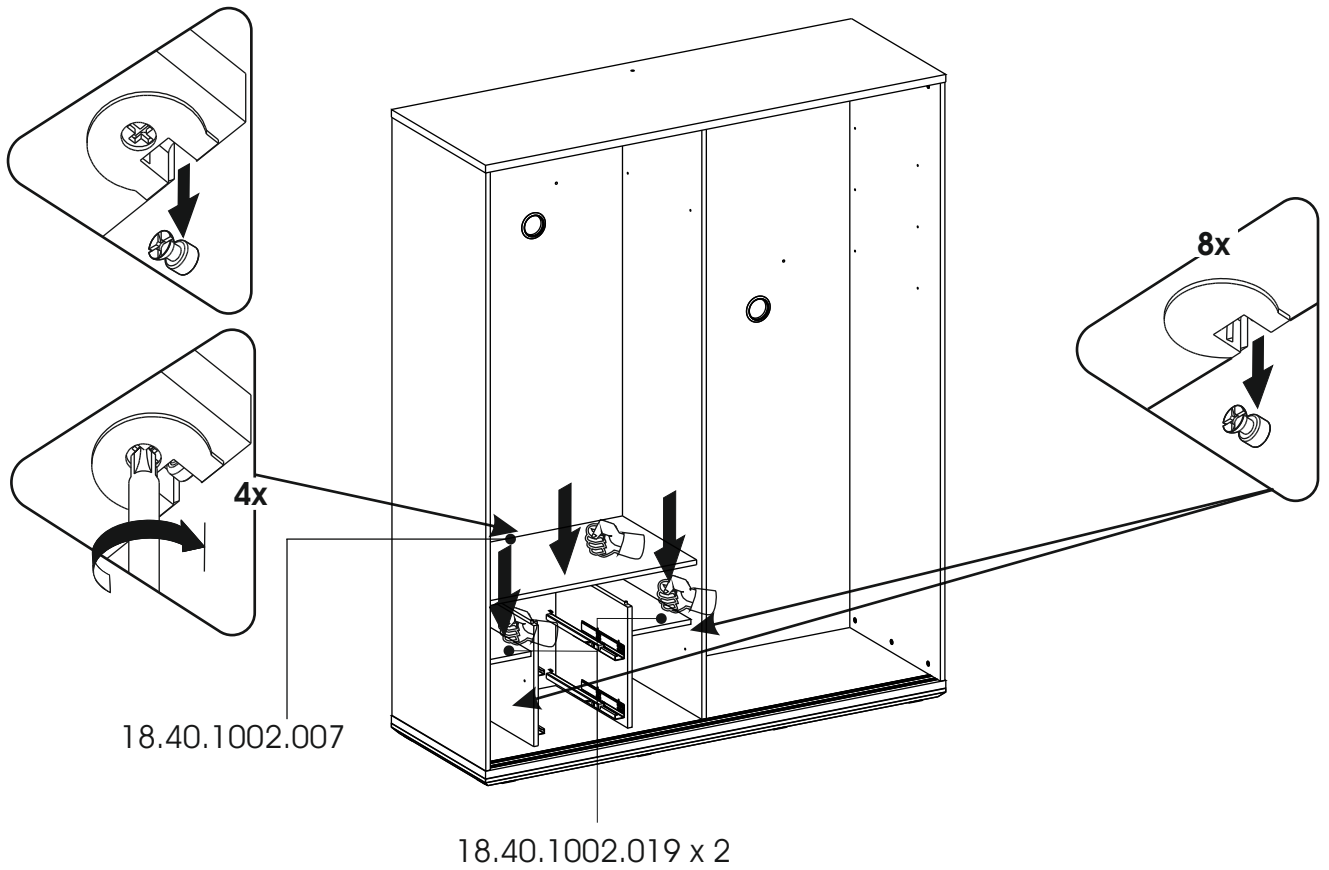
12



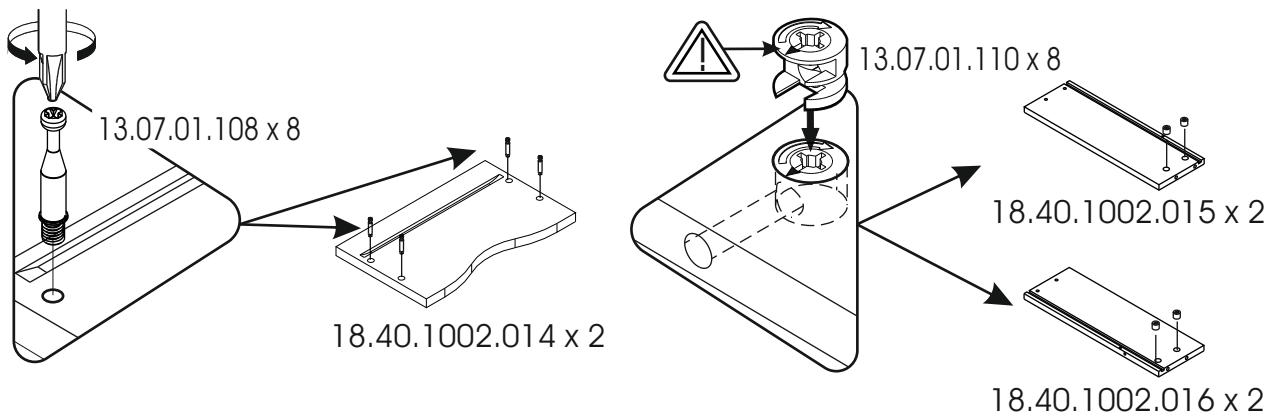
13



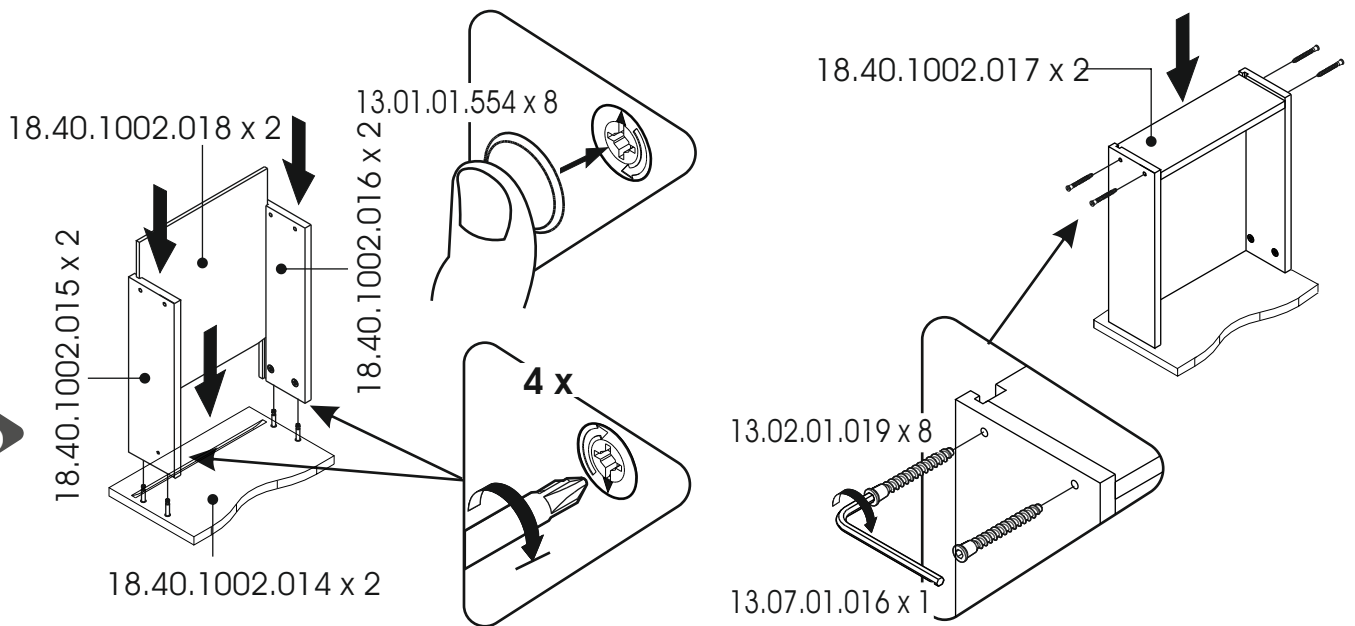
14



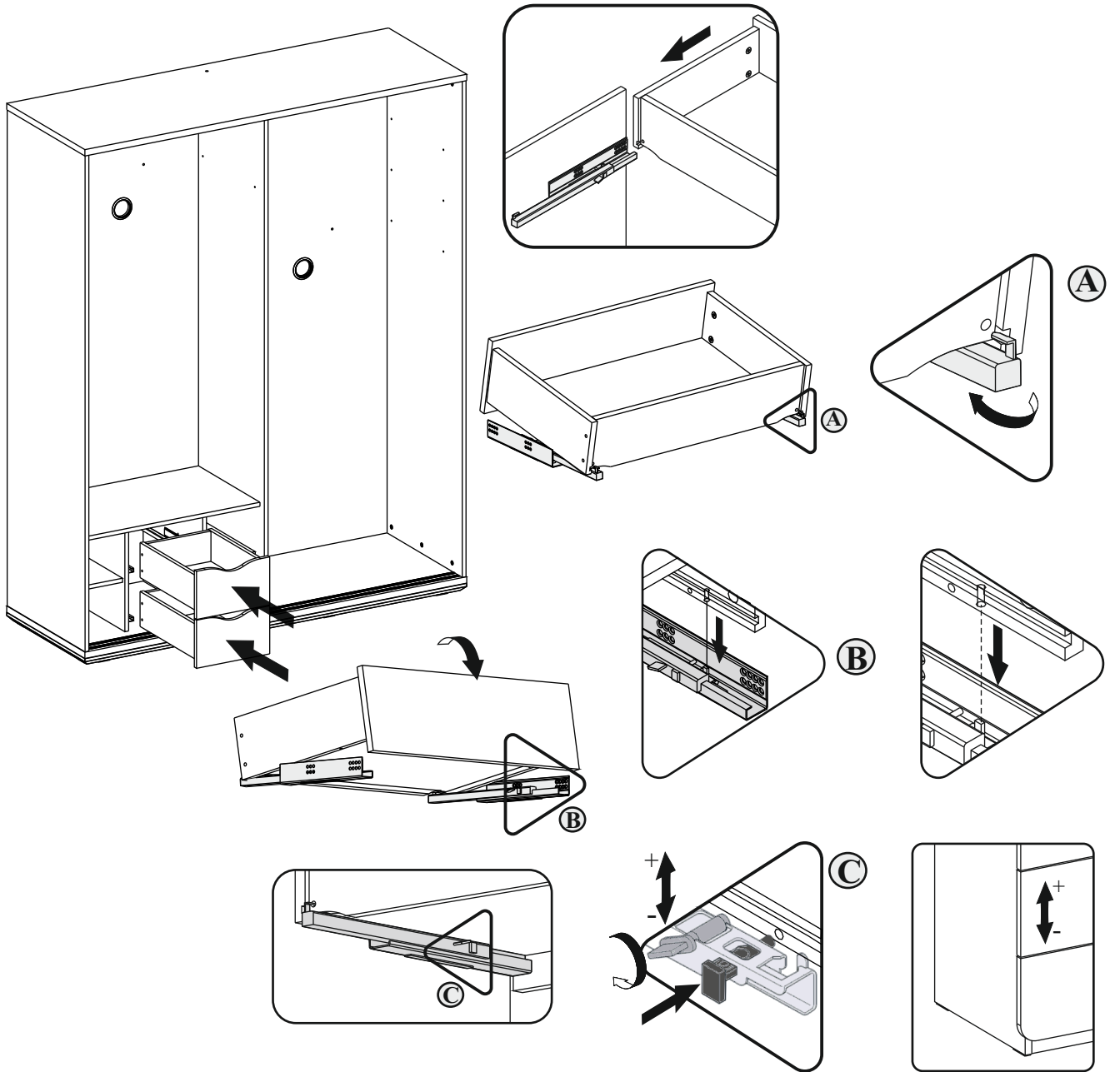
15



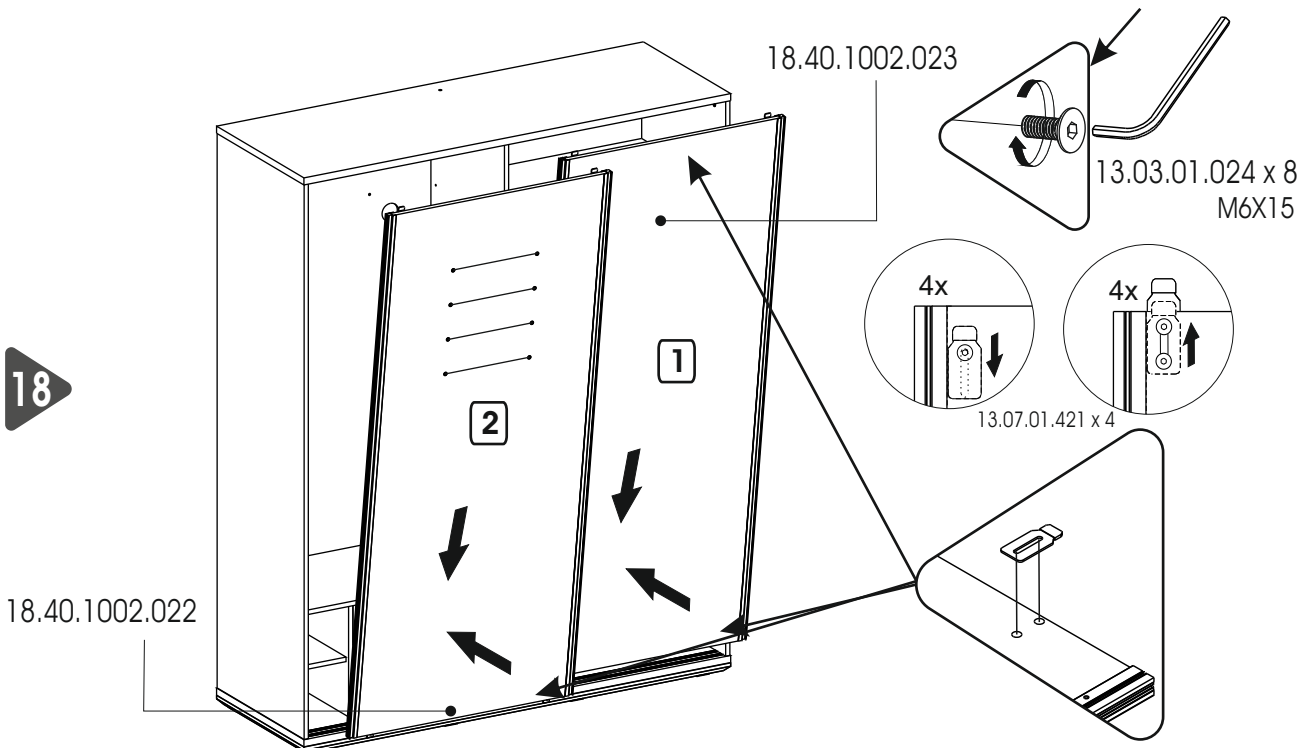
16



17

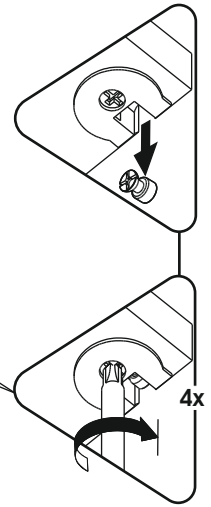
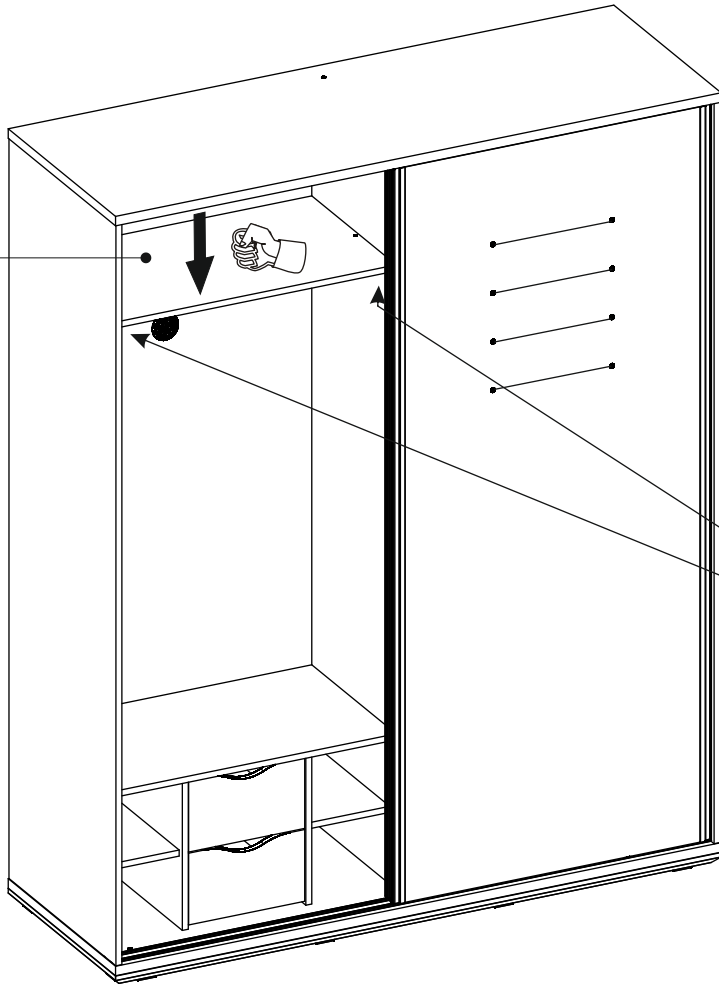


18



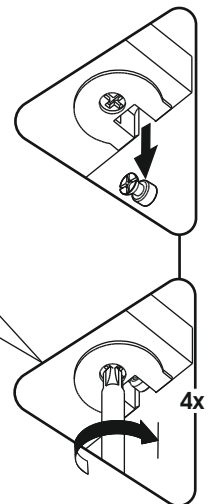
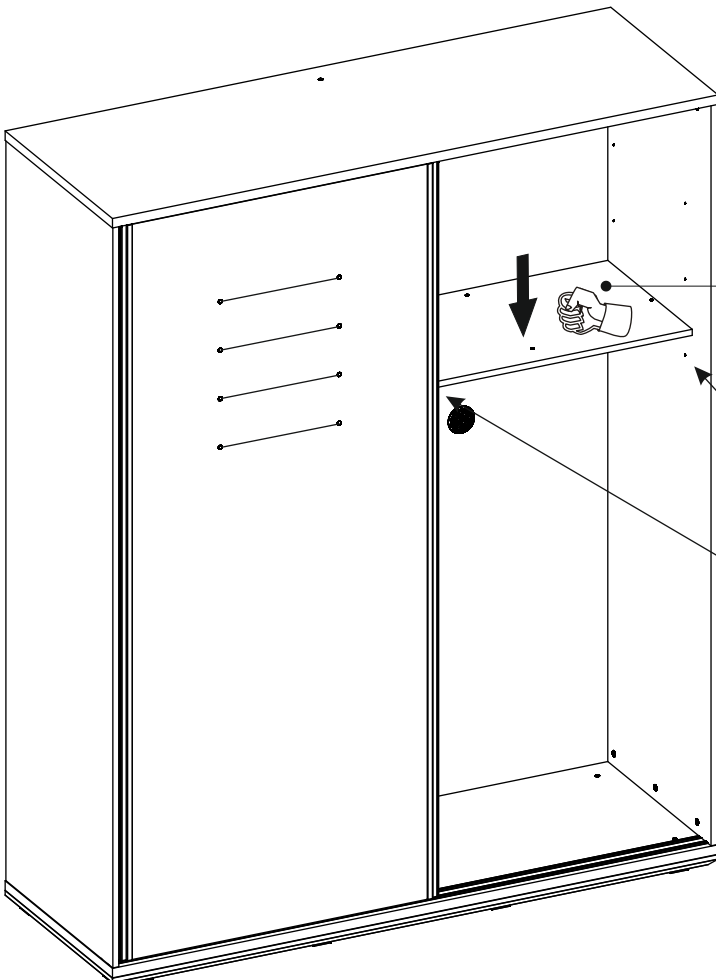
18.40.1002.006

19

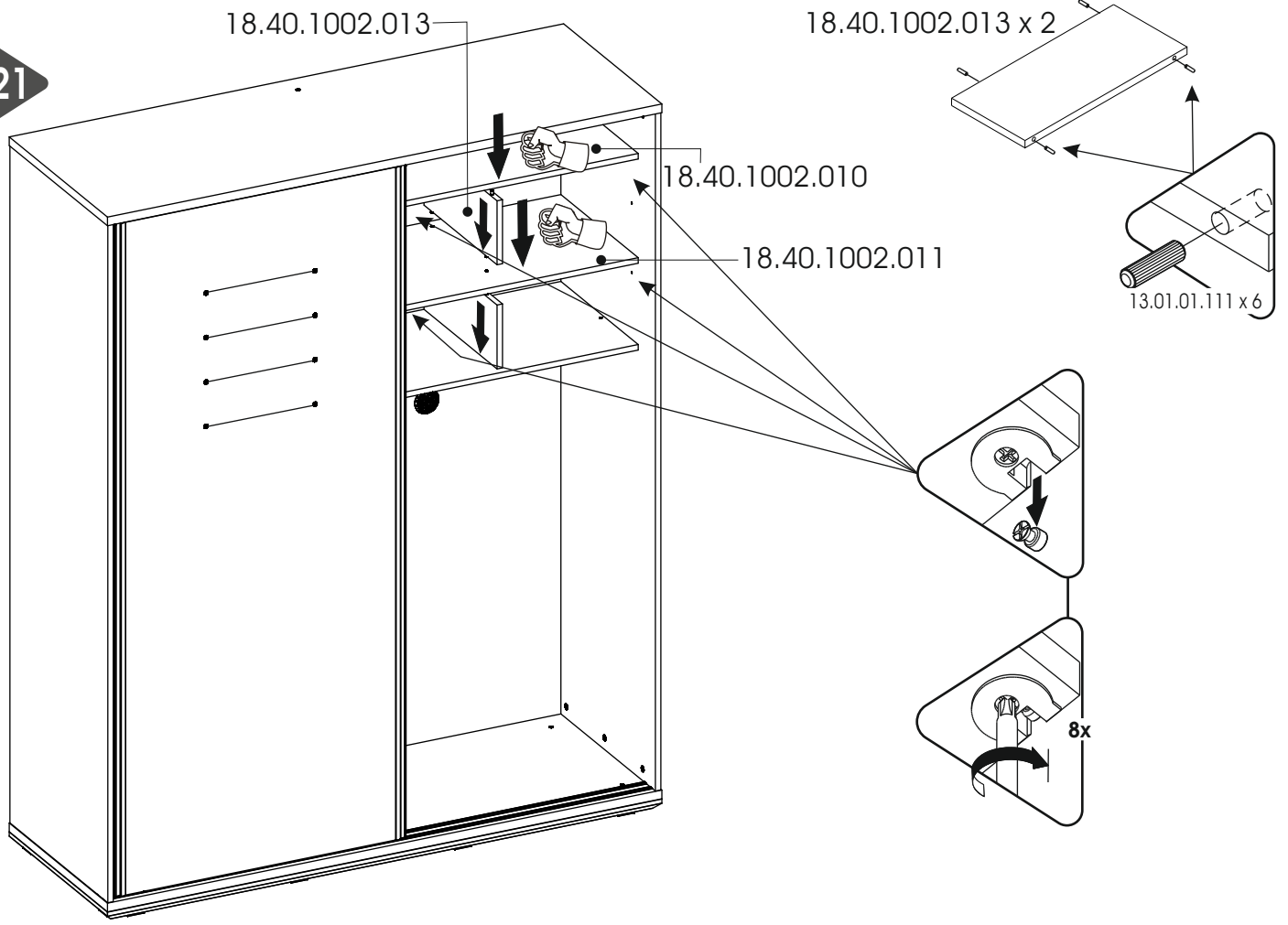


18.40.1002.012

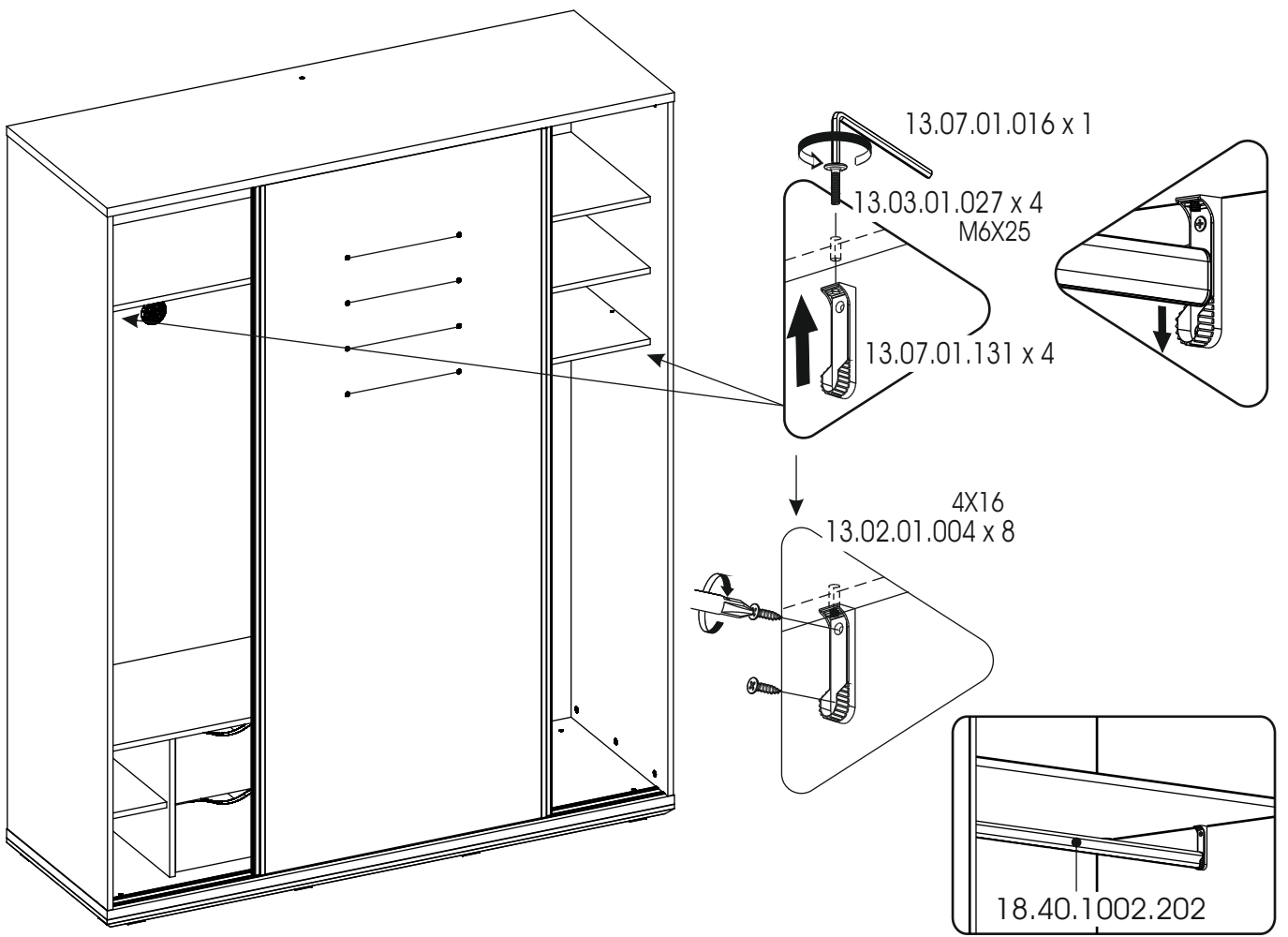
20

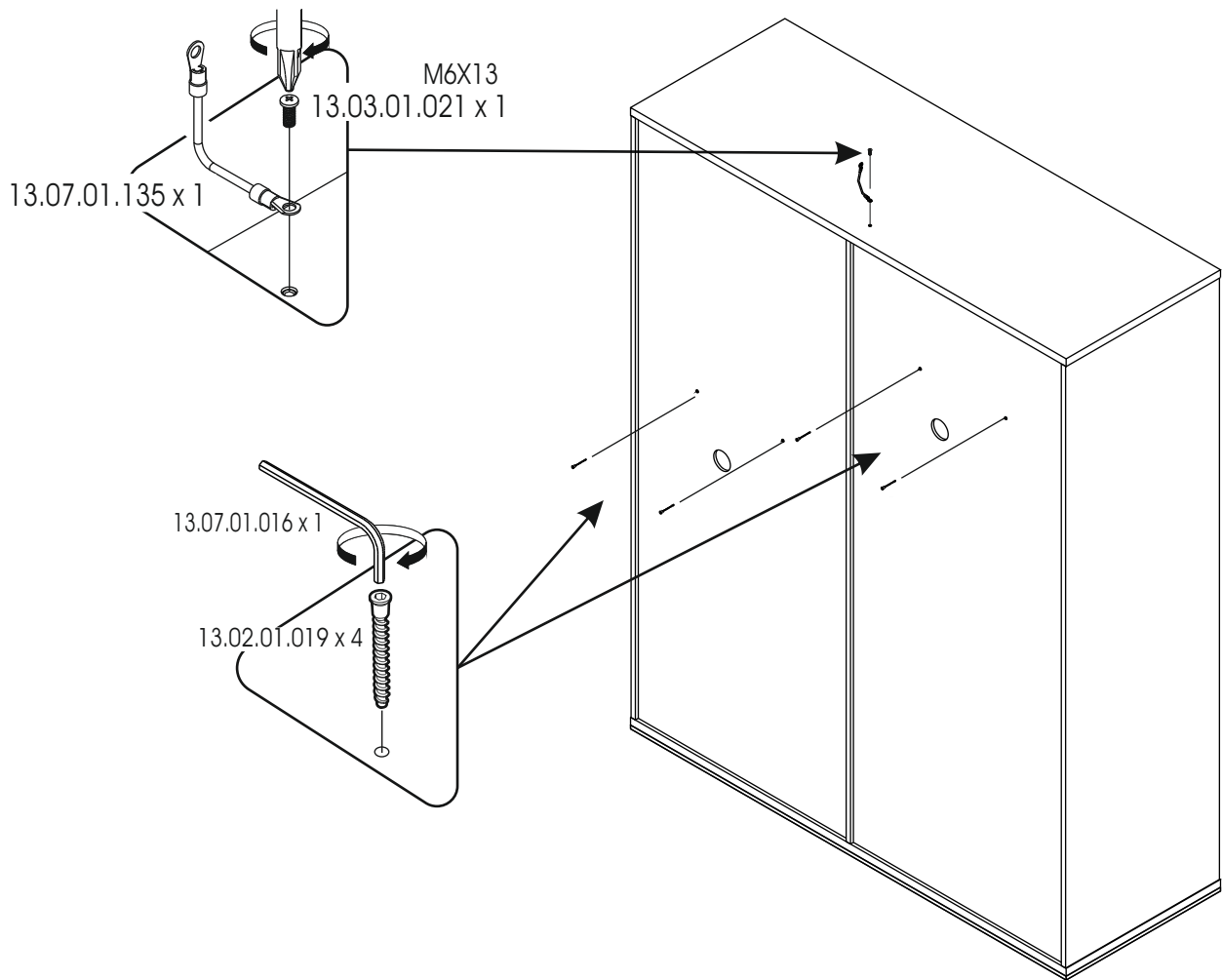


21

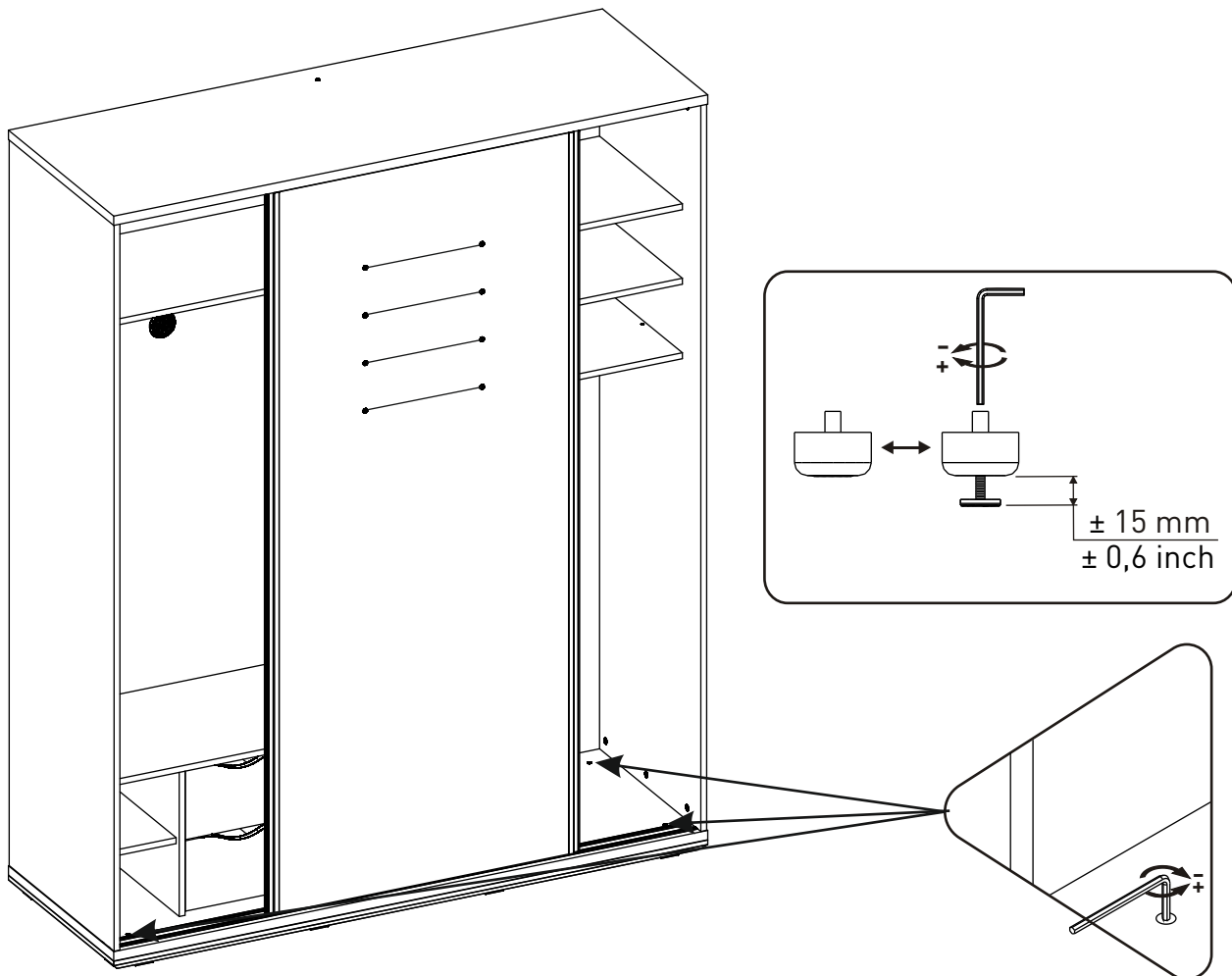


22





23



24

25

