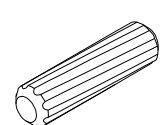
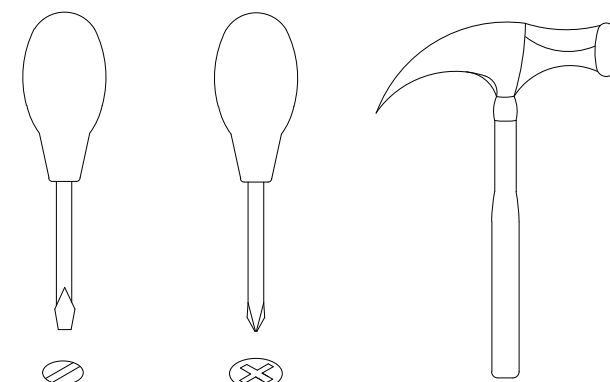
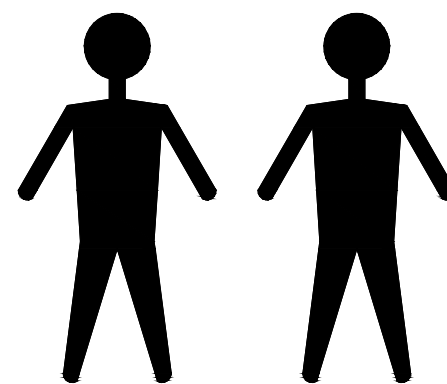
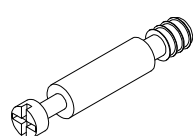


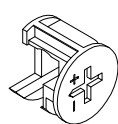
# MDI. WR. AV. 57



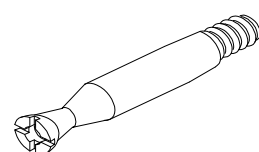
A x76  
Spec:  $\phi 8 * 30$



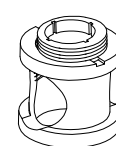
B x43  
Spec:  $\phi 7 * L30$



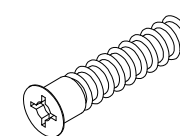
C x43  
Spec:  $\phi 15 * H12$



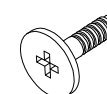
D x12  
Spec:  $\phi 7 * L48$



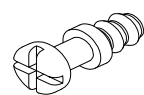
E x12  
Spec:  $\phi 15 * H15$



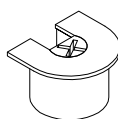
F x4  
Spec:  $M7 * 38$



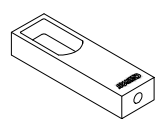
E1 x4  
Spec:



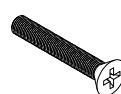
H x16  
Spec:  $\phi 5 * L19$



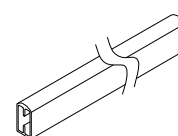
I x16  
Spec:  $\phi 20 * H12$



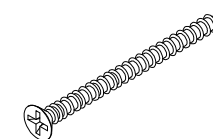
J x4  
Spec:  $L63 * W20$



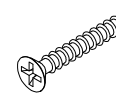
K x4  
Spec:  $\phi 5 * L30$



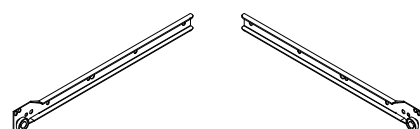
L x2  
Spec:  $L1049$



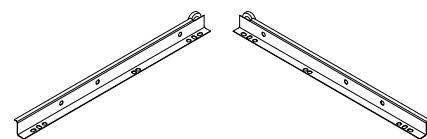
M x8  
Spec:  $\phi 3.8 * L50$



N x8  
Spec:  $\phi 3.8 * L25$



O x3  
Spec:  $L400$



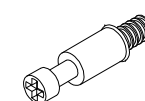
P x3  
Spec:  $L400$



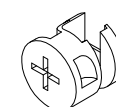
Q x26  
Spec:  $\phi 3.5 * L8$



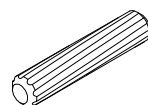
R x18  
Spec:  $\phi 6 * L8$



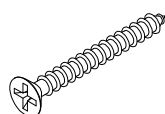
S x18  
Spec:  $\phi 6 * L28$



T x18  
Spec:  $\phi 12 * H9$



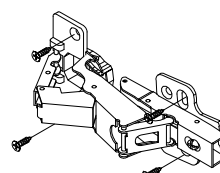
U x24  
Spec:  $\phi 6 * 30$



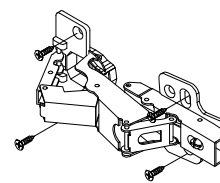
V x12  
Spec:  $\phi 3.5 * L35$



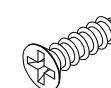
W x73  
Spec:



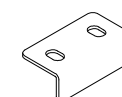
Y x10  
Spec:  $069\#$



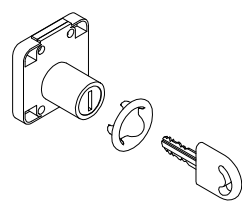
Z x10  
Spec:  $079\#$



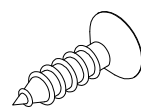
A1 x4  
Spec:  $\phi 3.5 * L19$



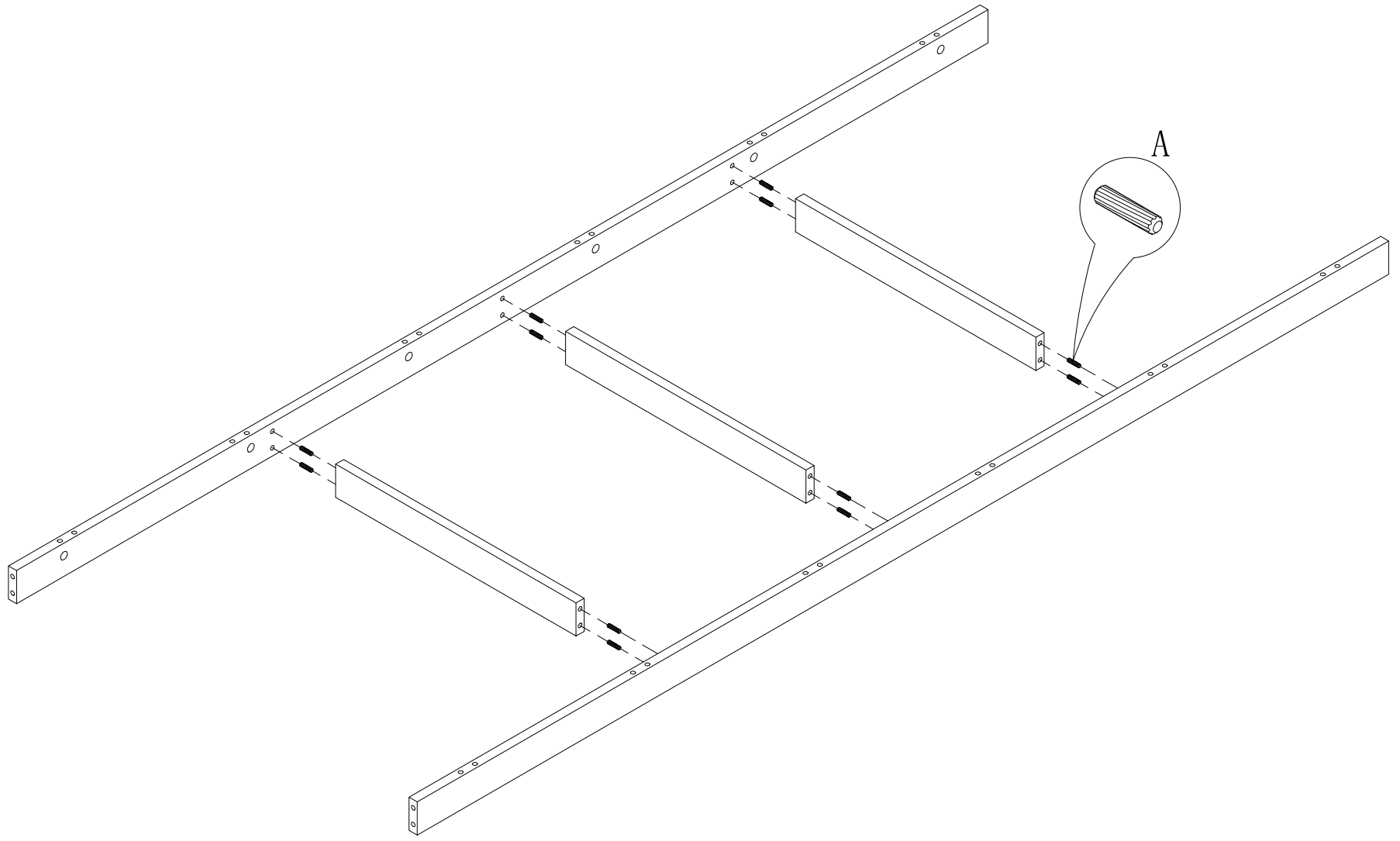
B1 x1  
Spec:



C1 x1  
Spec:

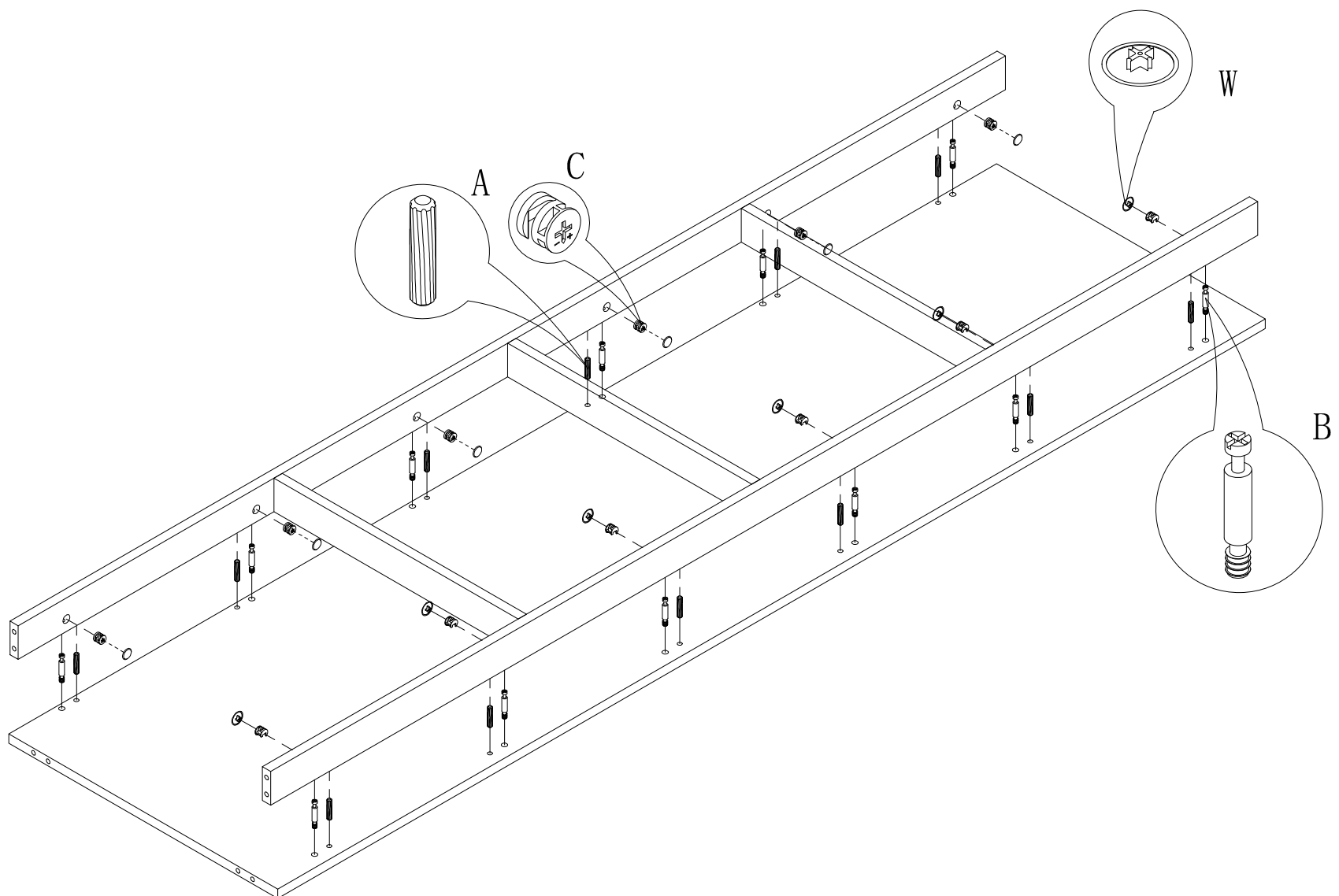


D1 x40  
Spec:  $3.8 * L16$

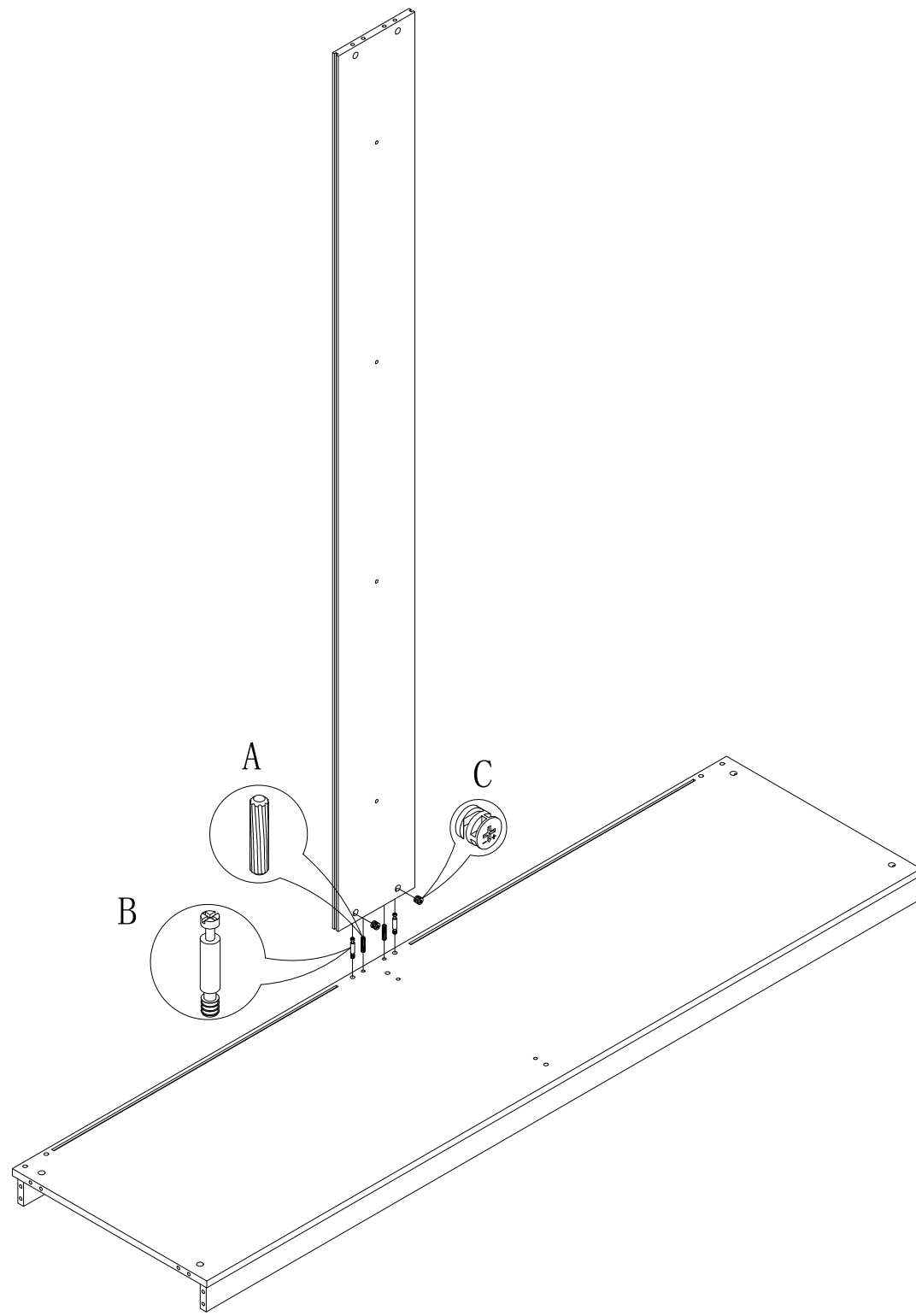


1

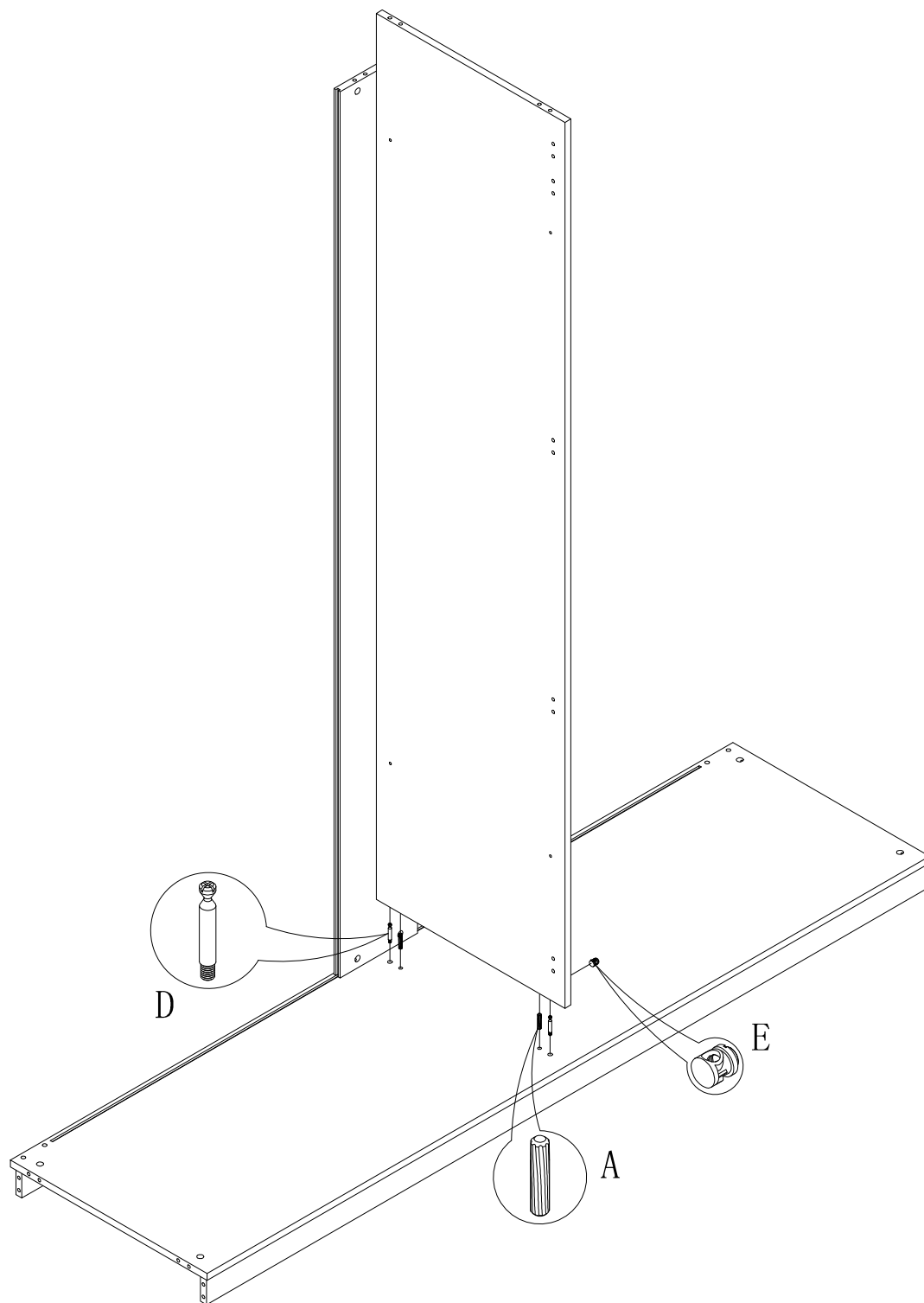
2

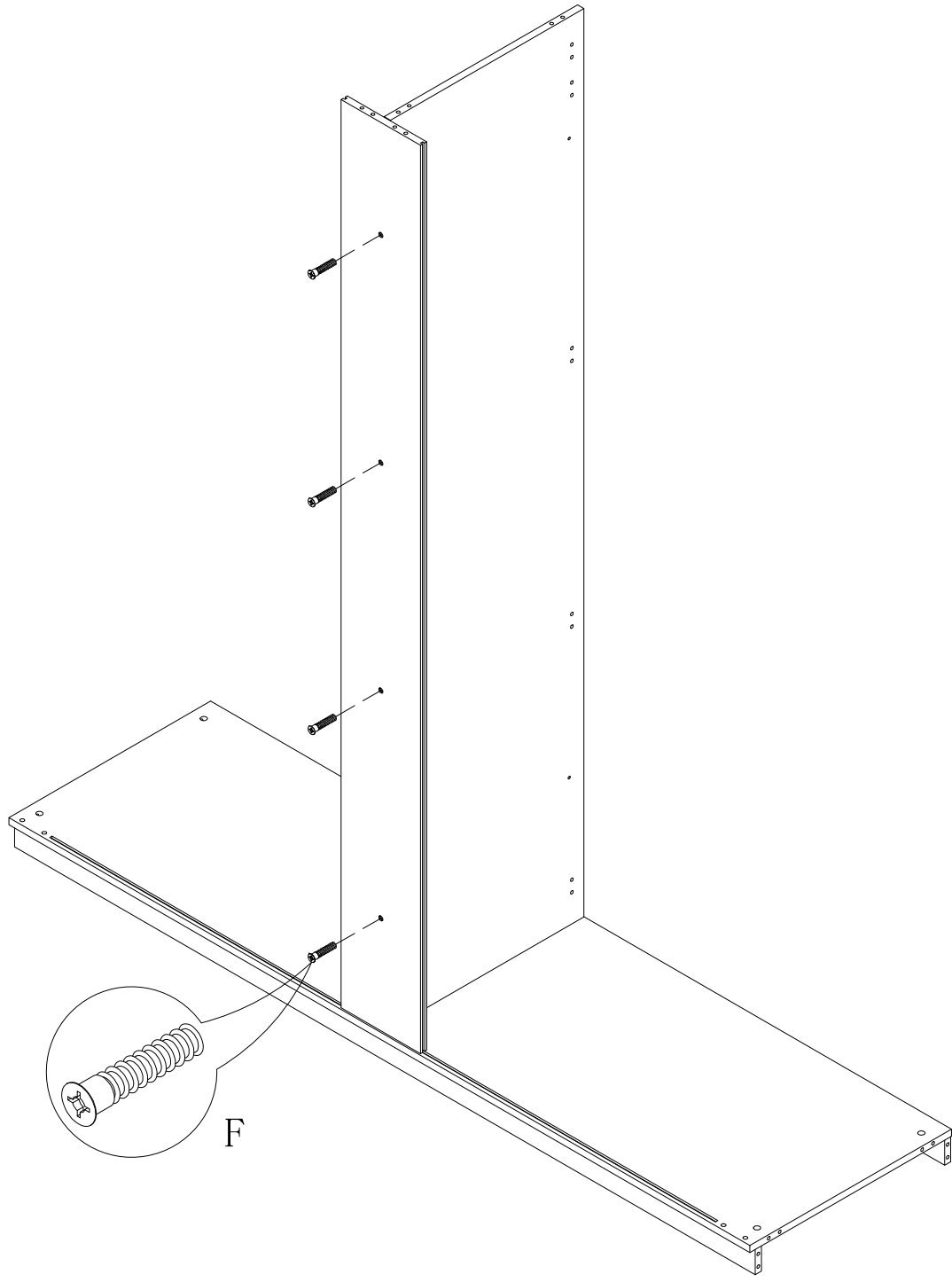


3



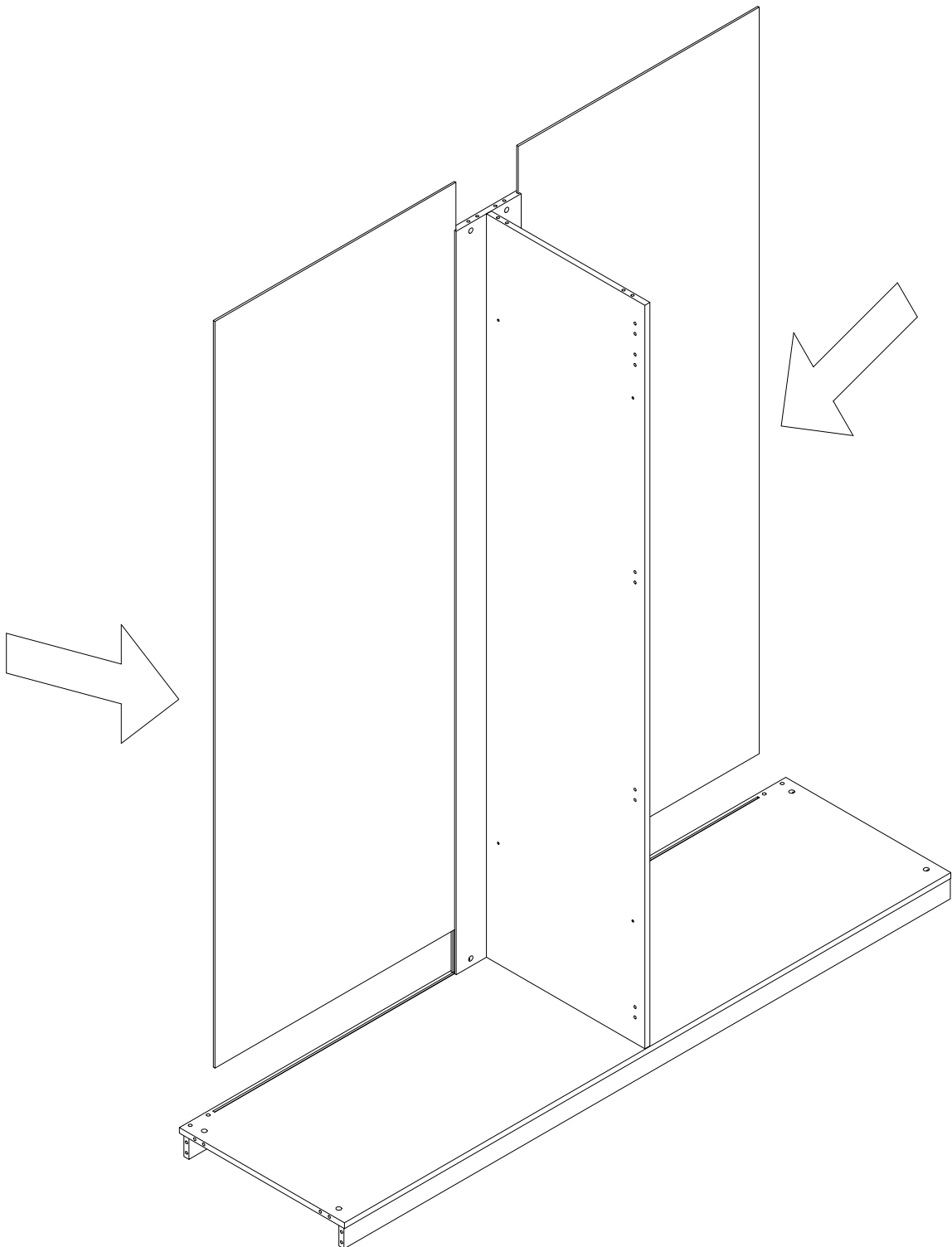
4



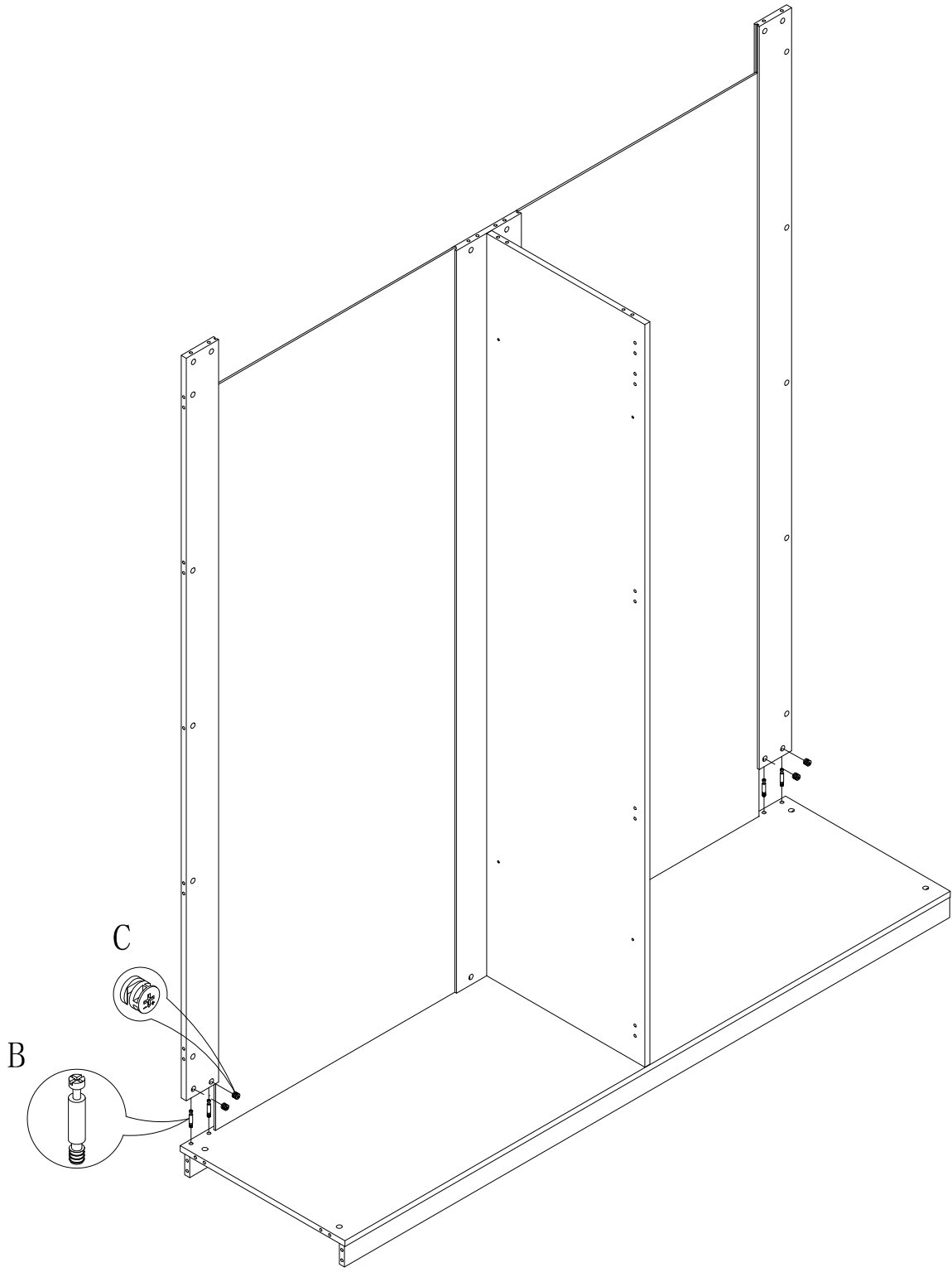


5

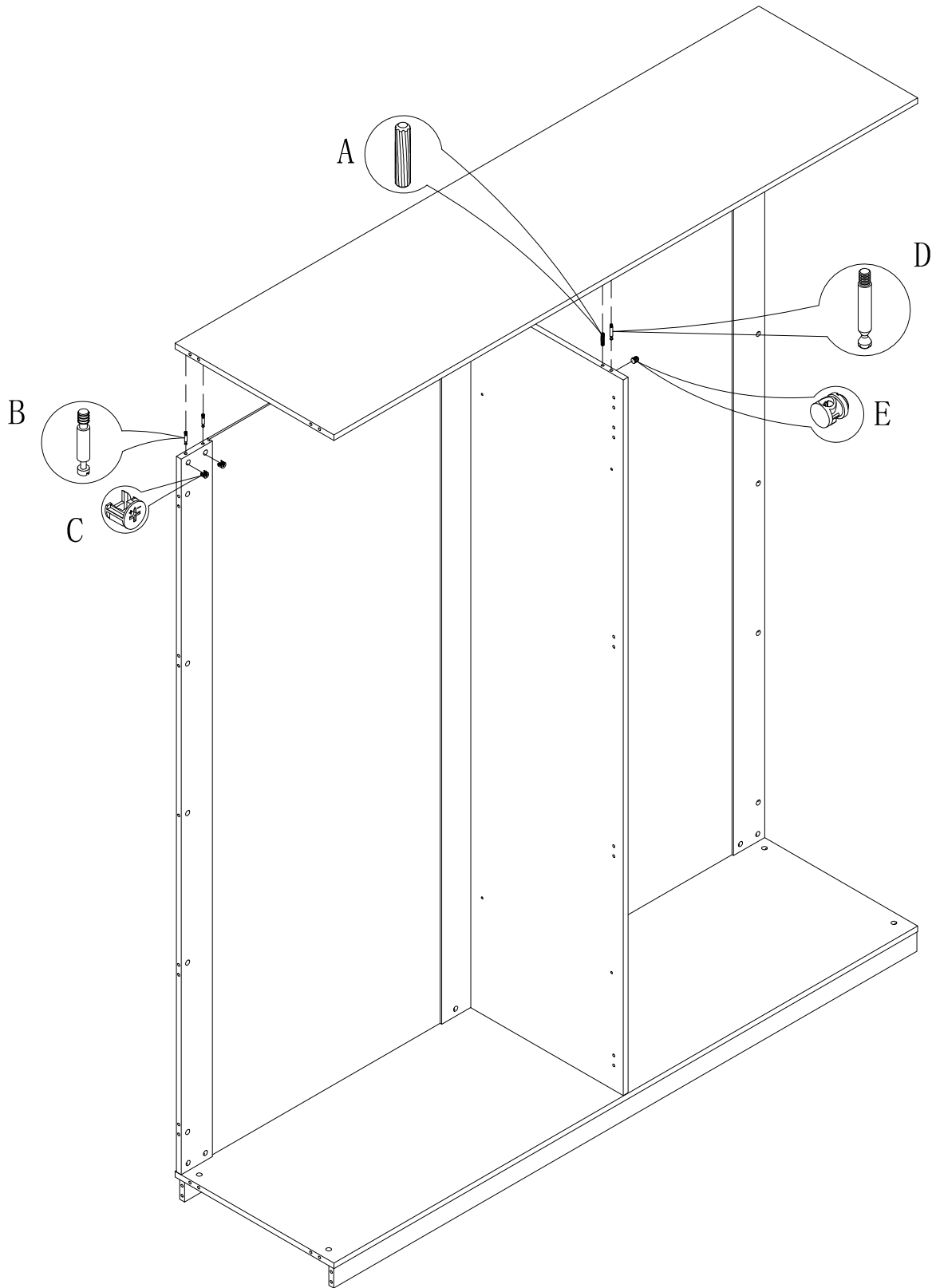
6

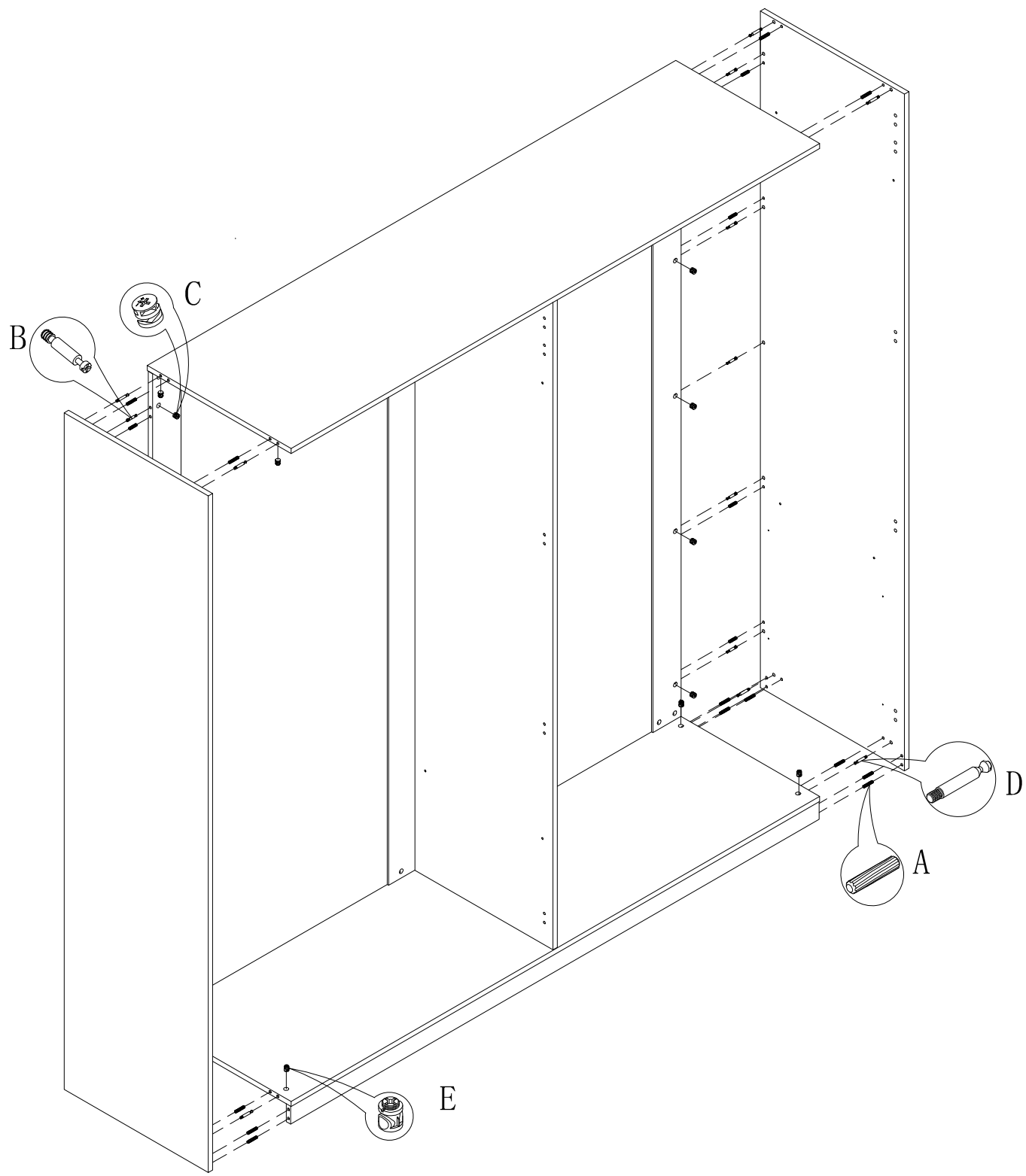


7



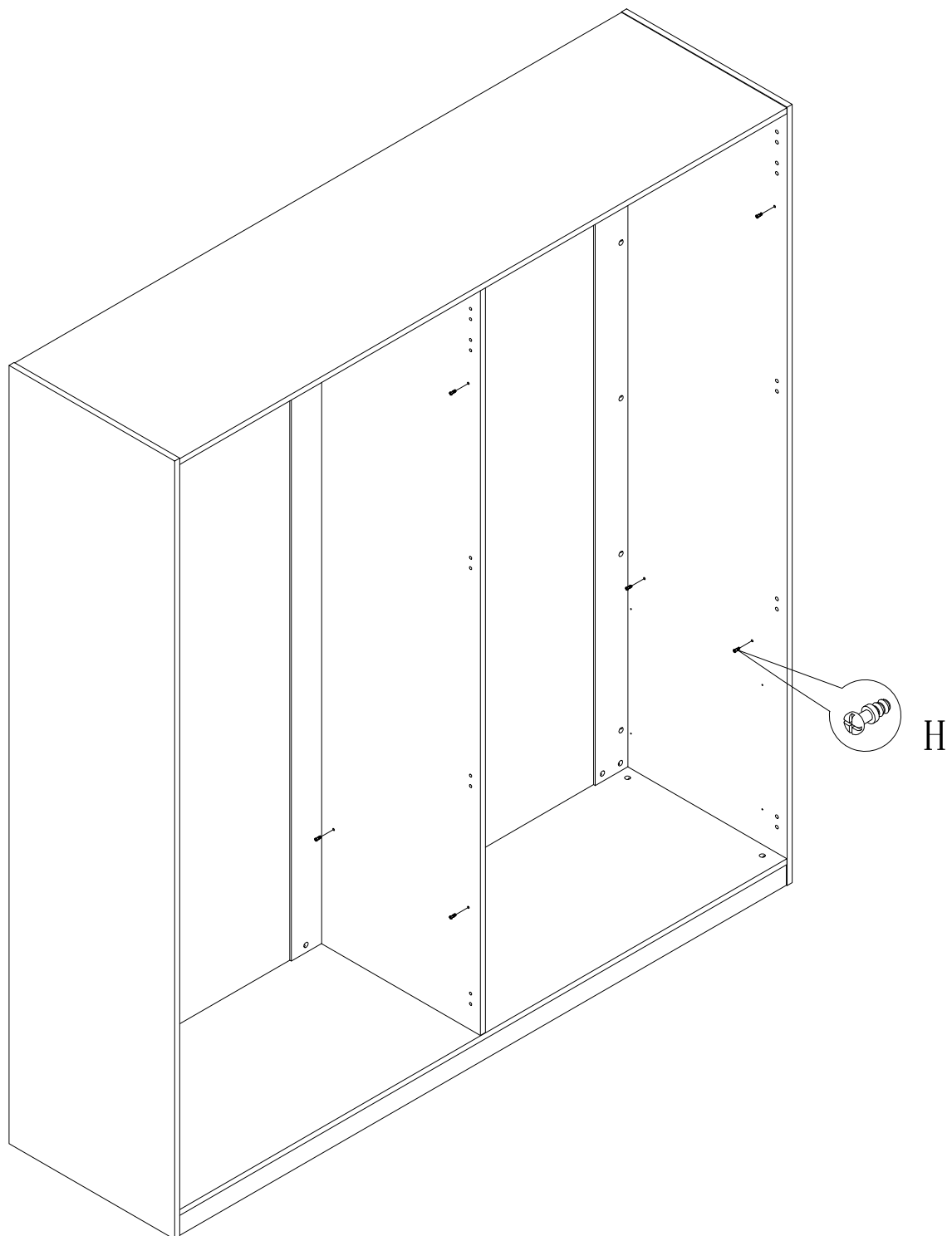
8



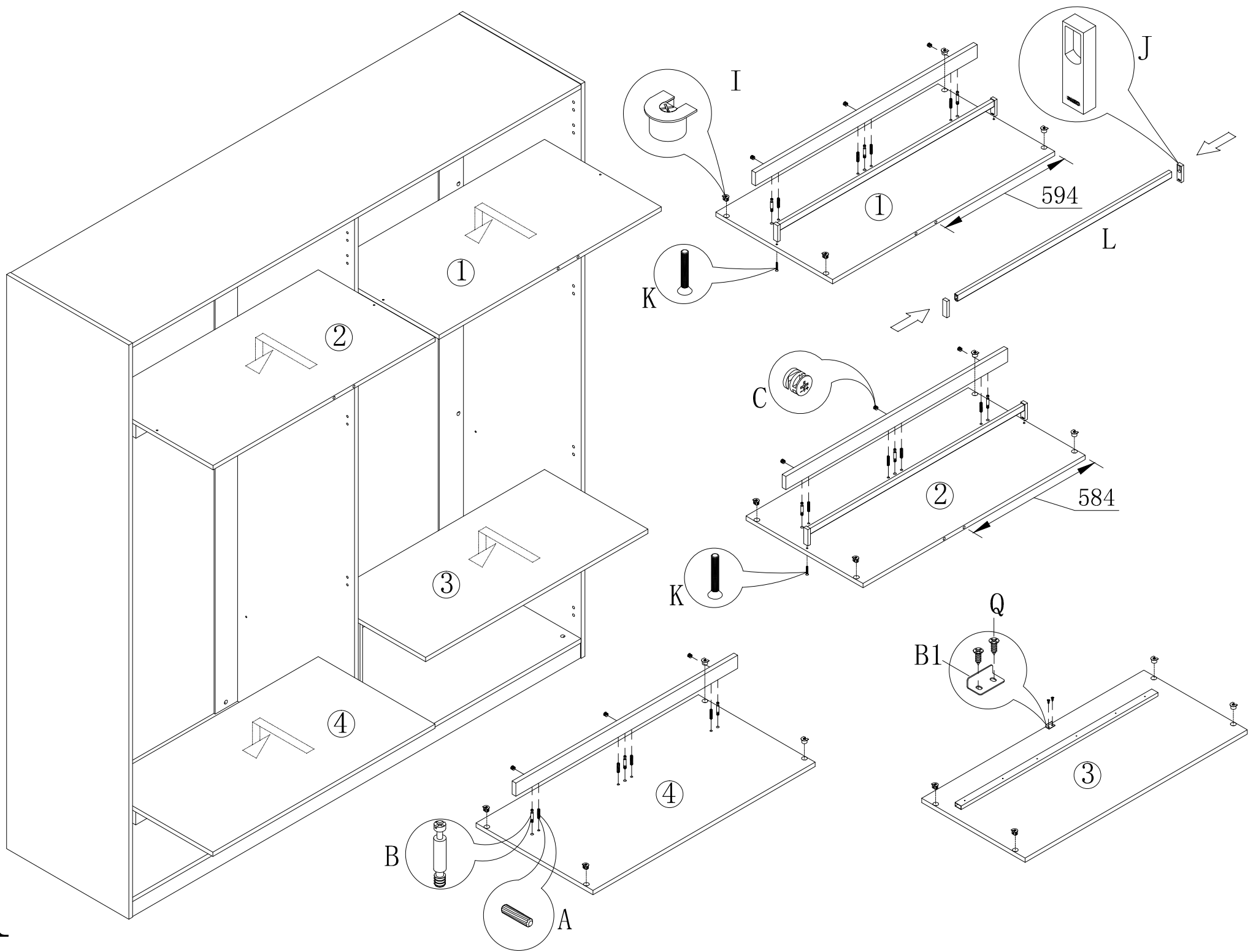


9

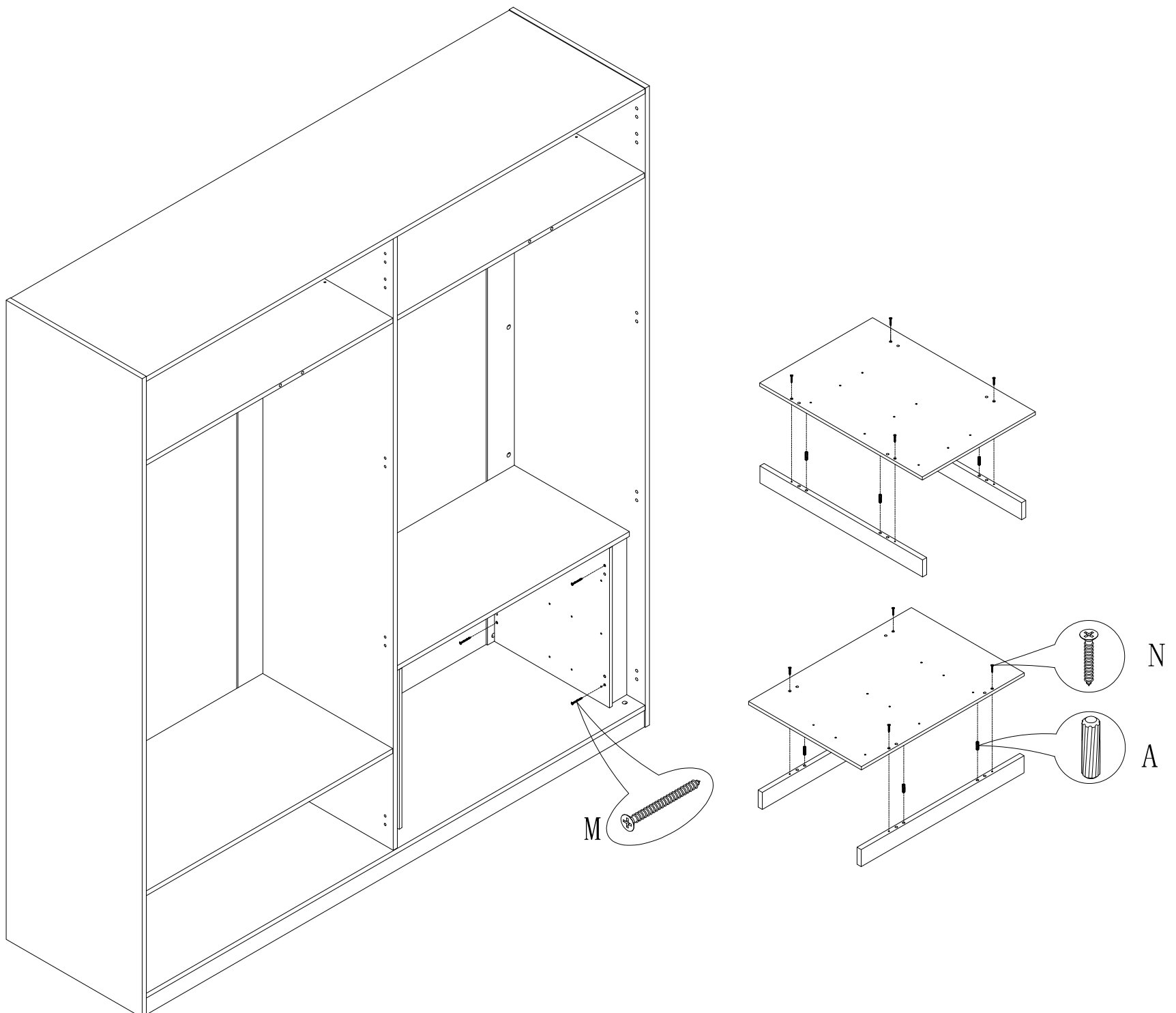
10



11

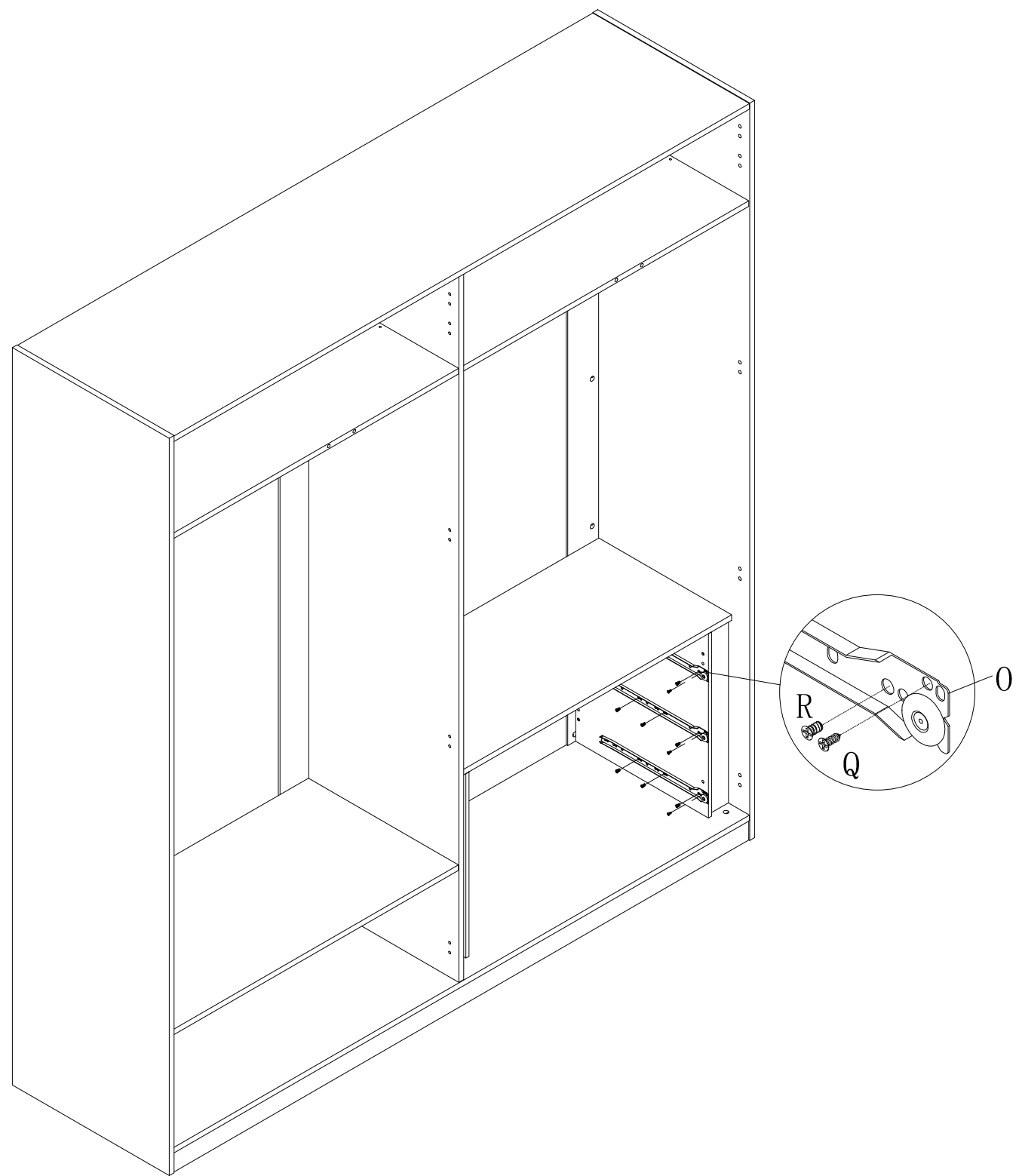


12

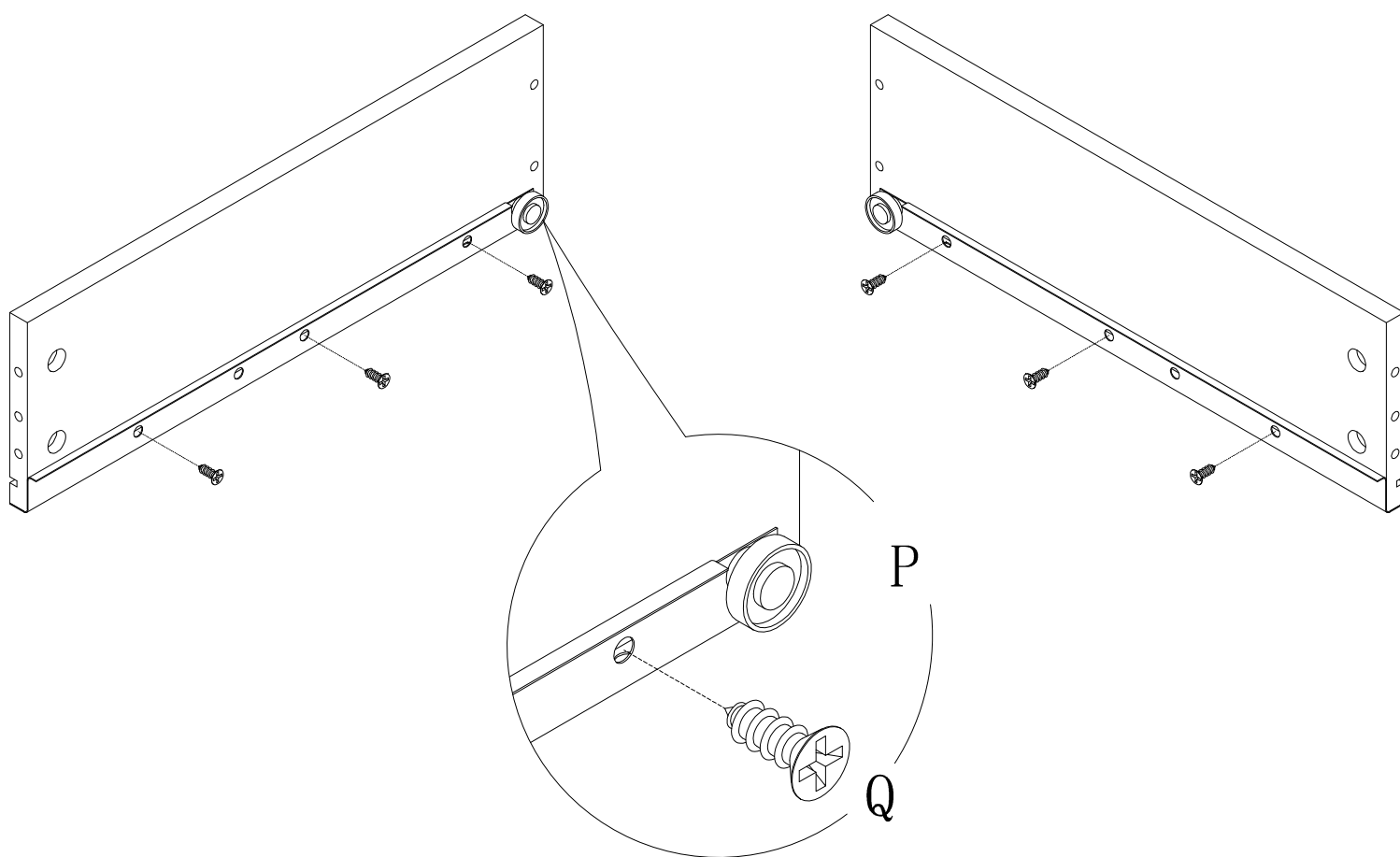


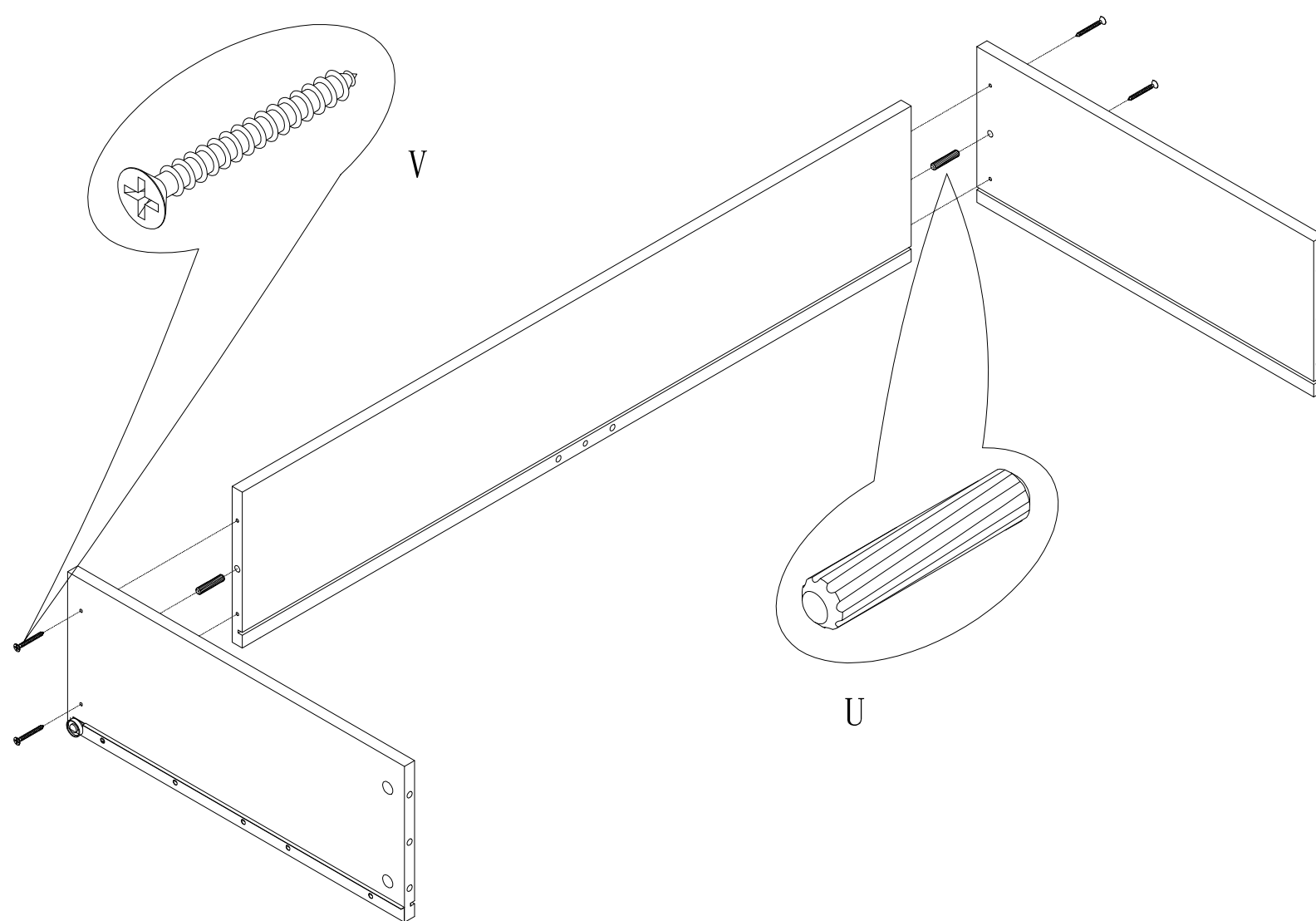


13



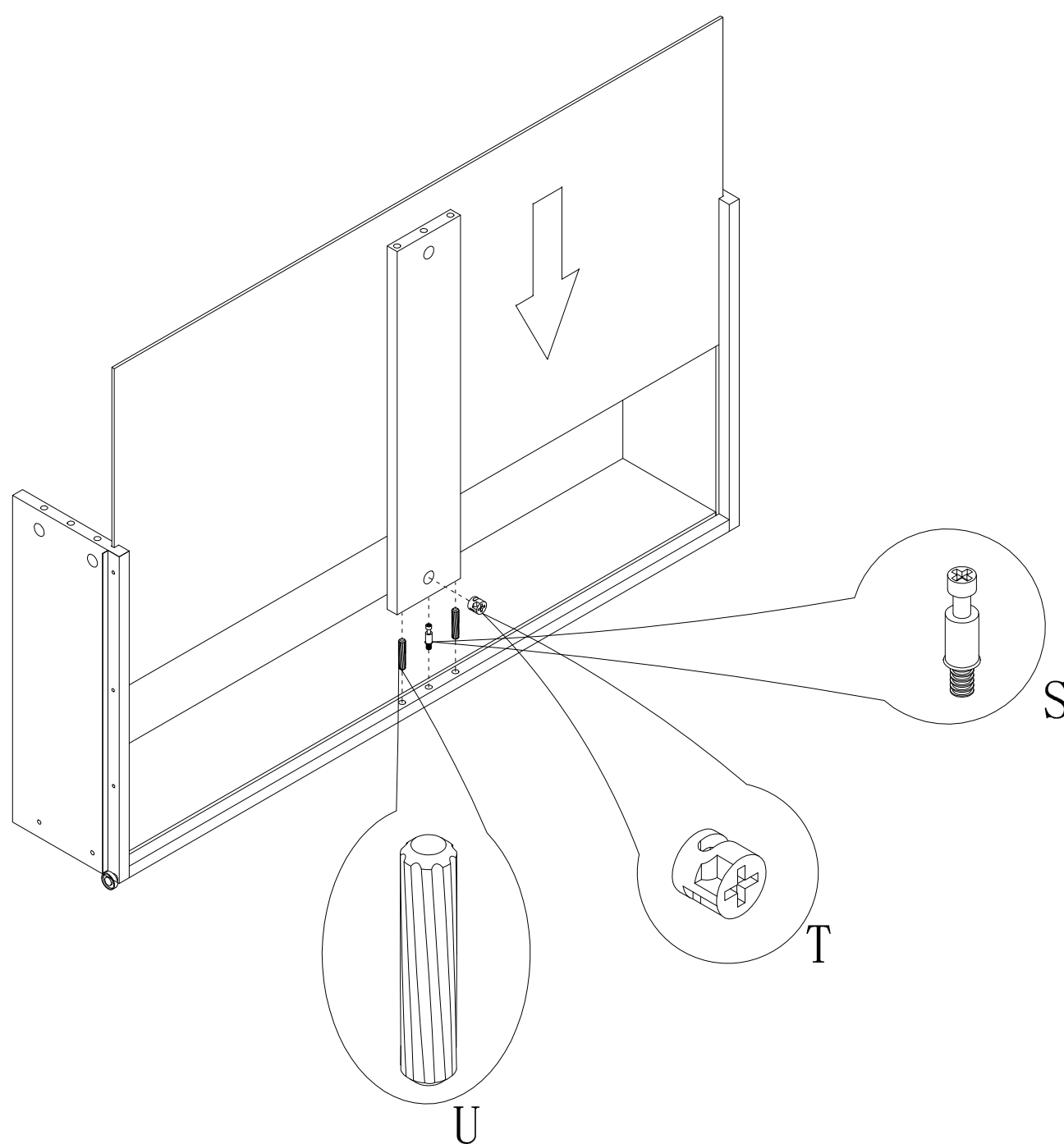
14

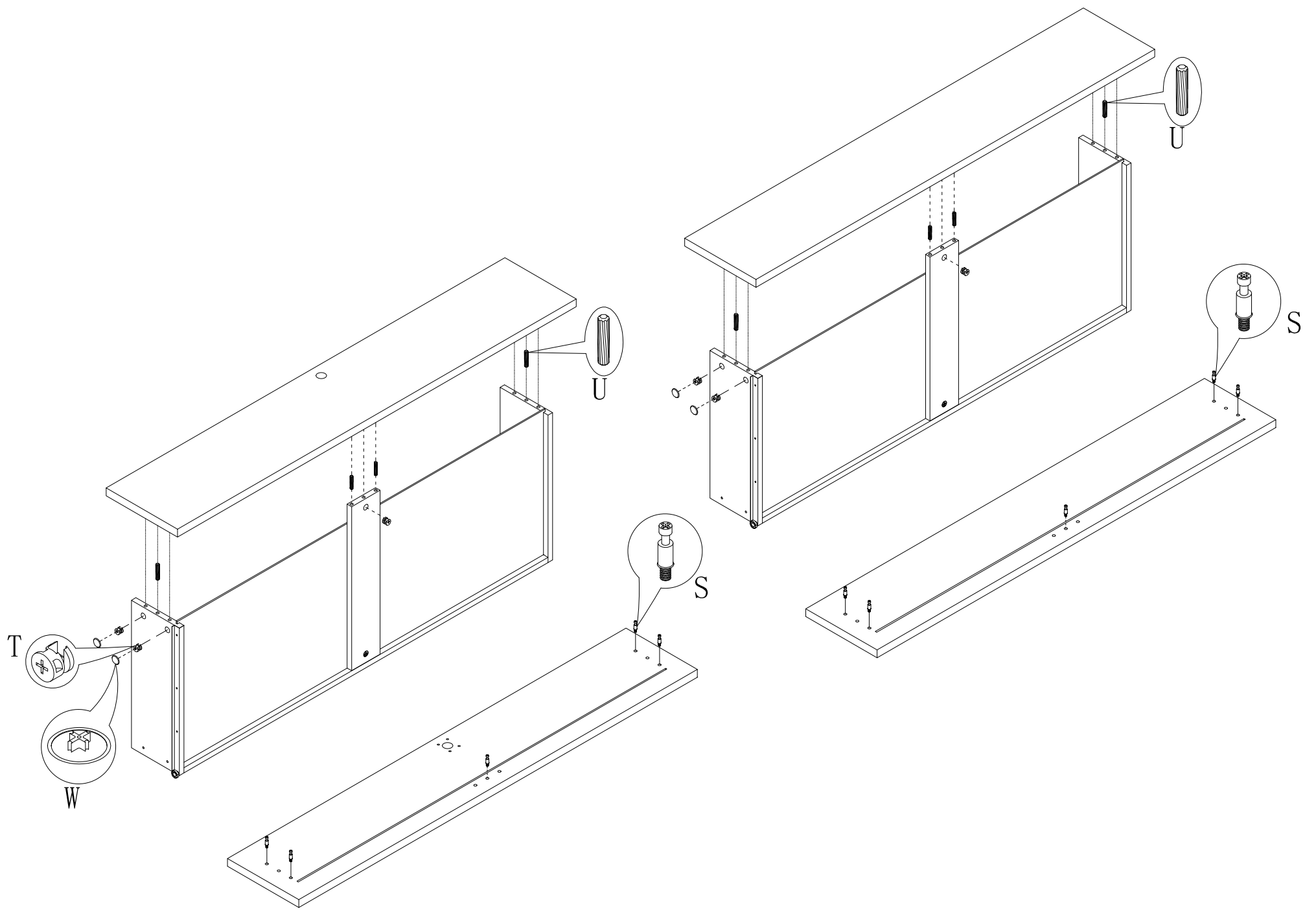




15

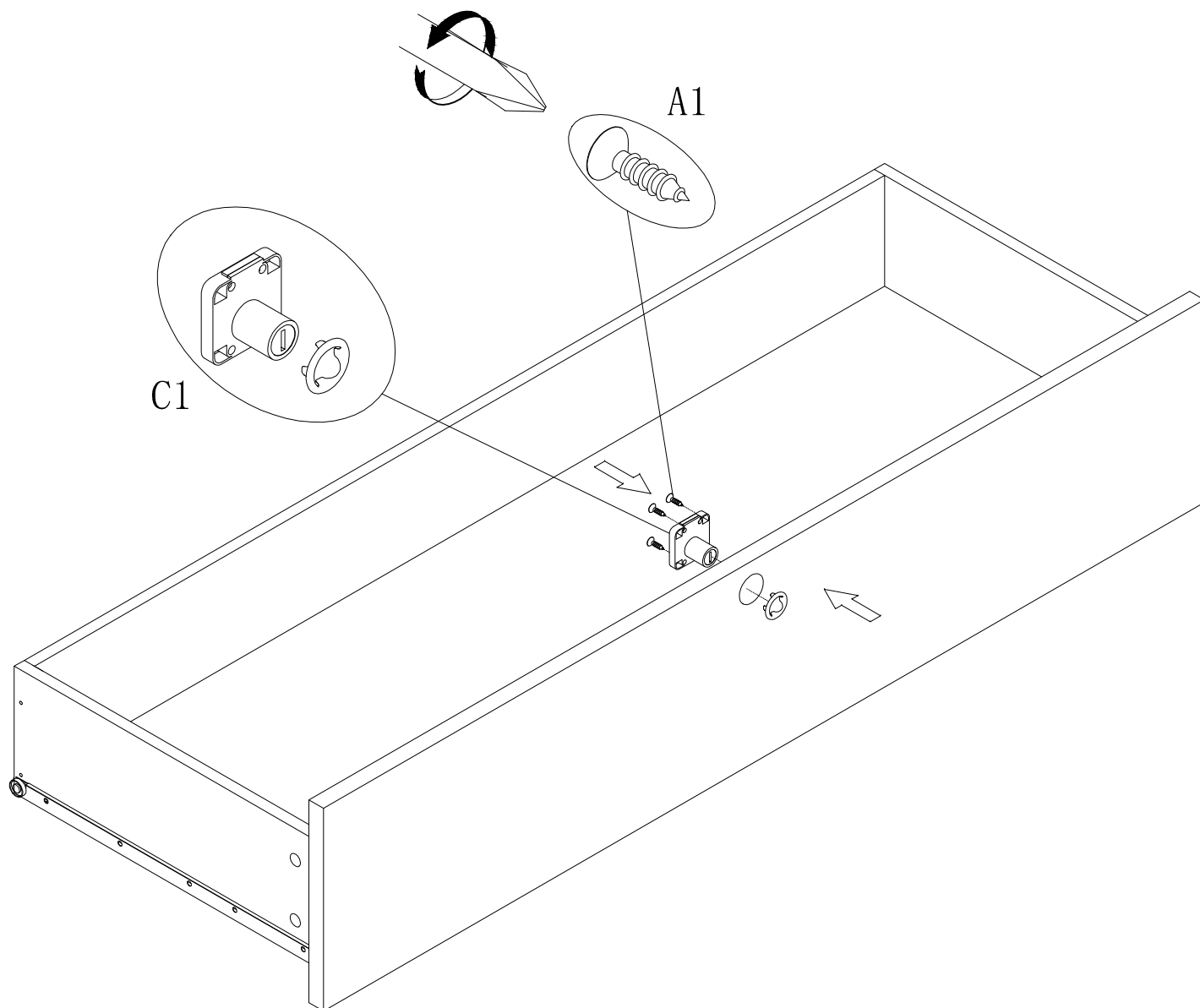
16



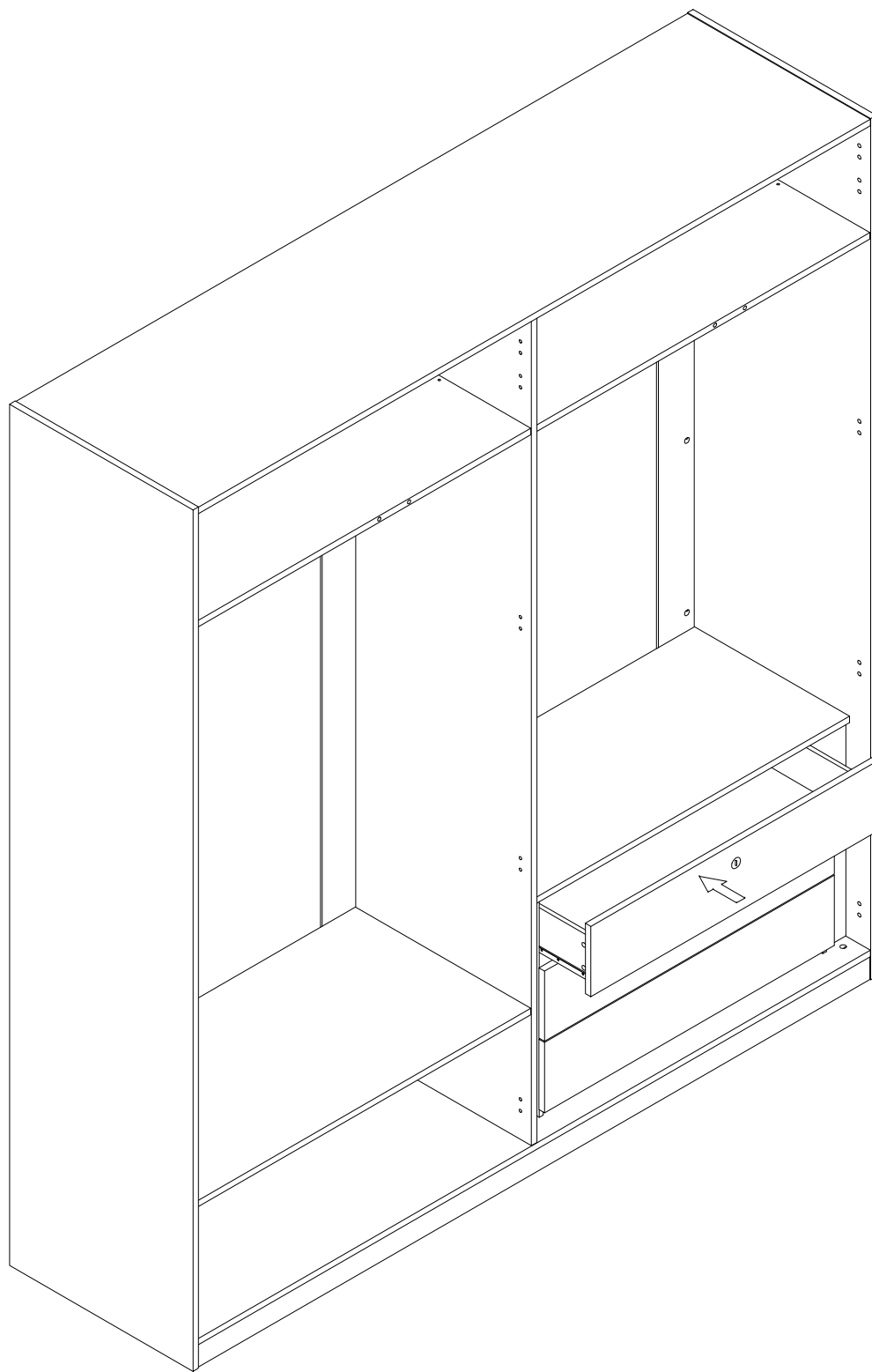


17

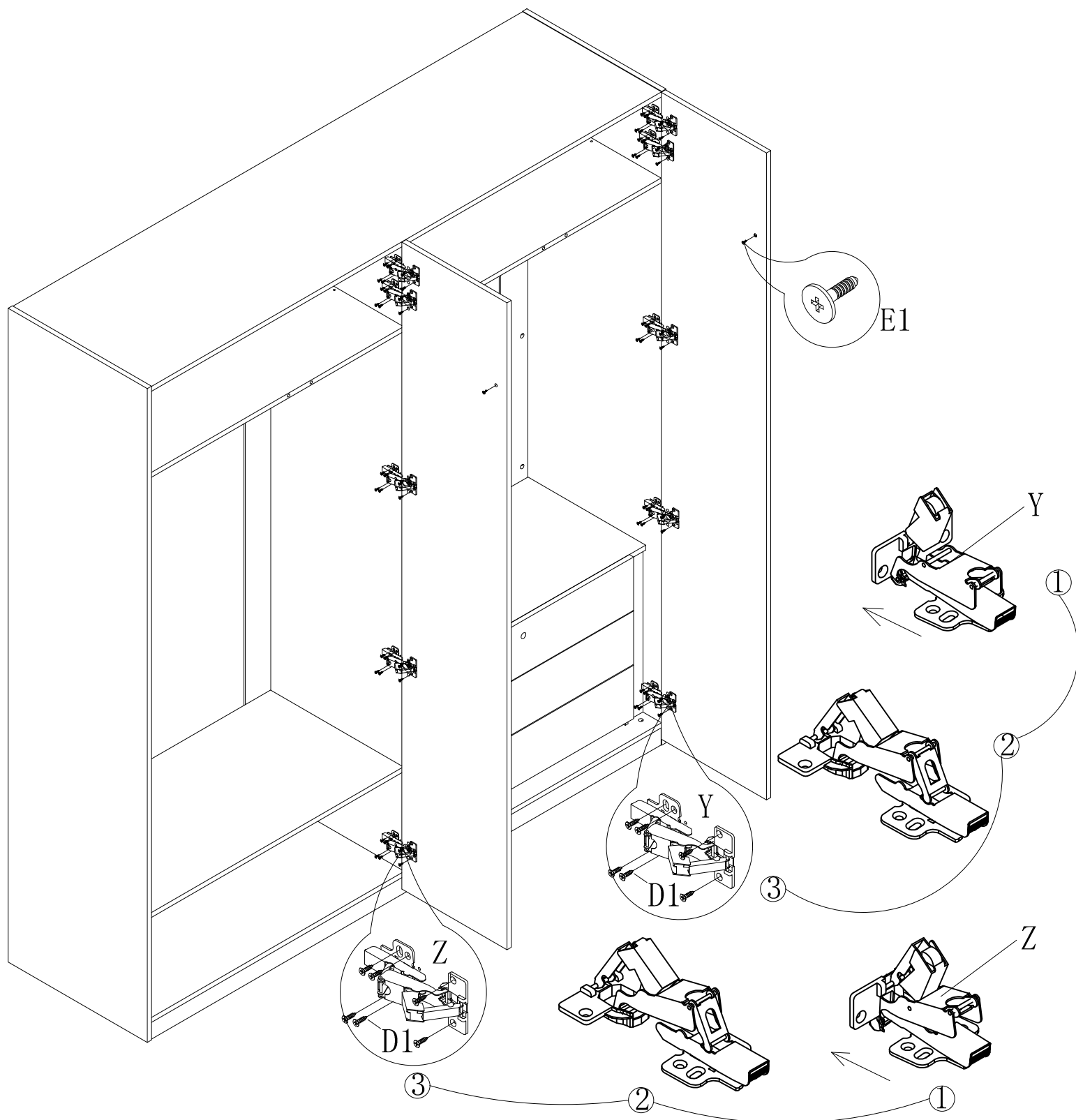
18



19



20



21

