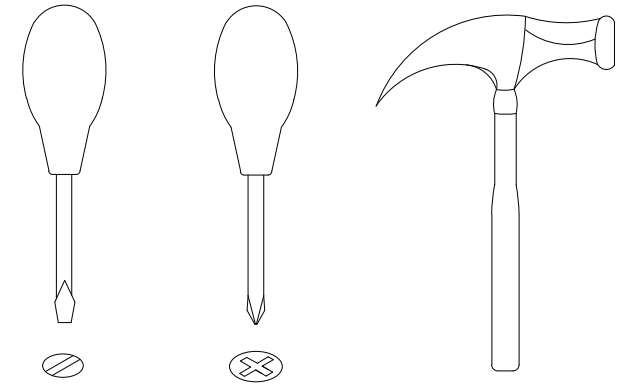
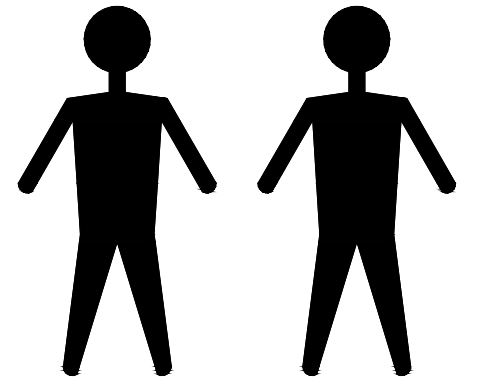
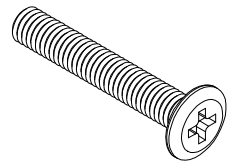


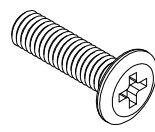
# MDI. BST. BS. 3



**C** x16  
Spec:  $\varnothing 8 * \varnothing 14$



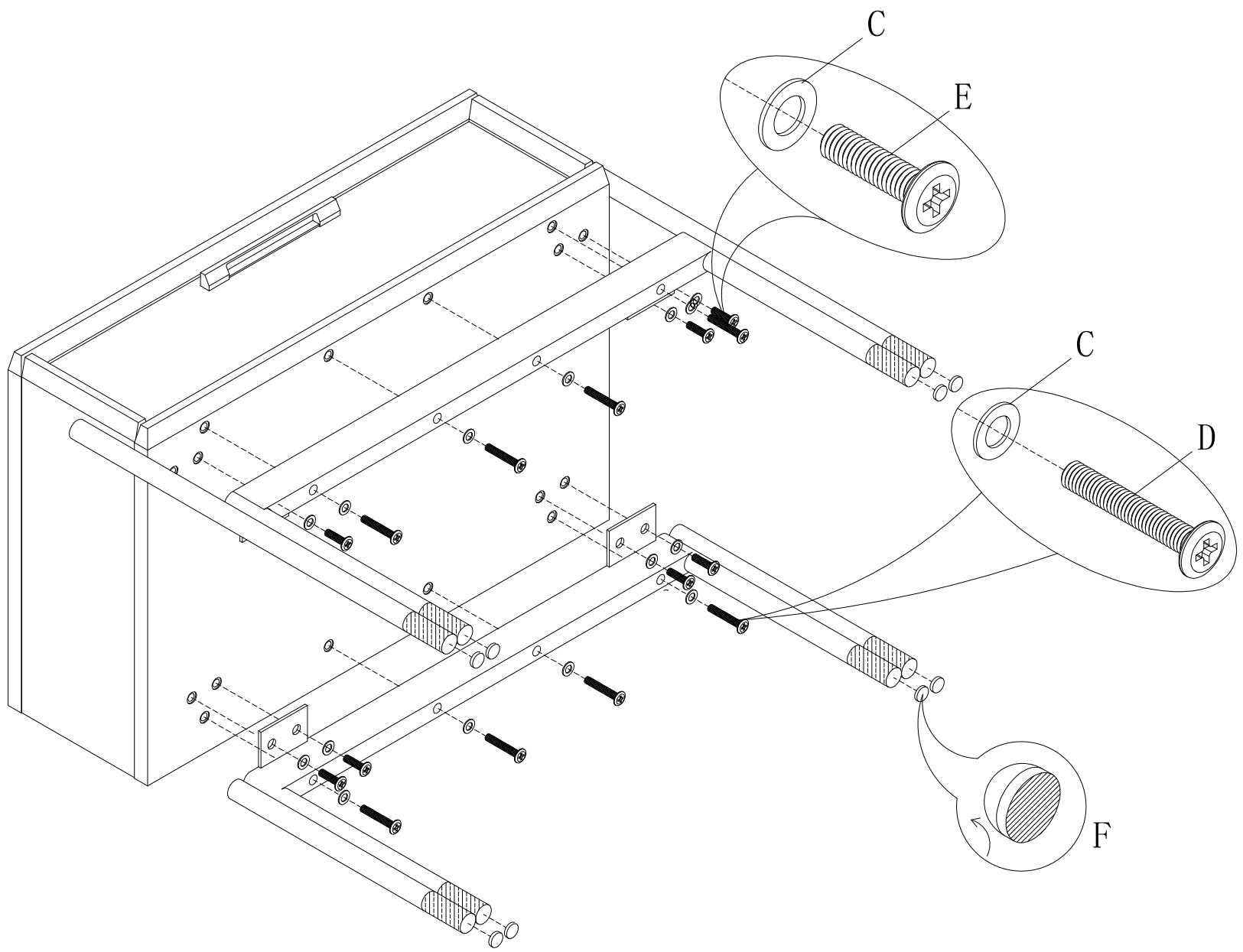
**D** x8  
Spec: M6\*50



**E** x8  
Spec: M6\*15



**F** x8  
Spec:  $\varnothing 15 * 3$



1

2

