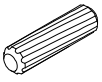
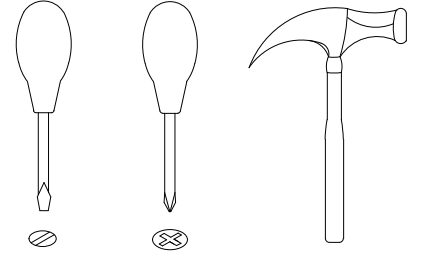
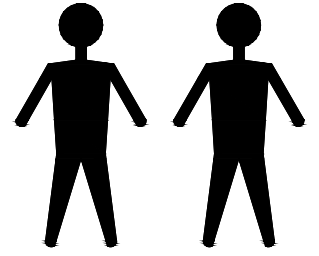


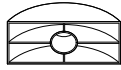
MDI. BD. AV. 2



A x8
Spec: $\varnothing 8 \times 30$



B x4
Spec: $M8 \times L85$



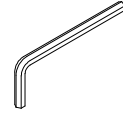
C x4
Spec:



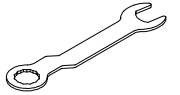
E x4
Spec: $M8$



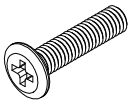
F x4
Spec: $\varnothing 38$



G x1
Spec: $5\#$



H x1
Spec: $14\#$



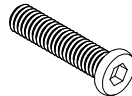
I x16
Spec: $M6 \times 45$



J x24
Spec: $\varnothing 8 \times \varnothing 18$



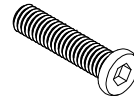
K x8
Spec: $L255$



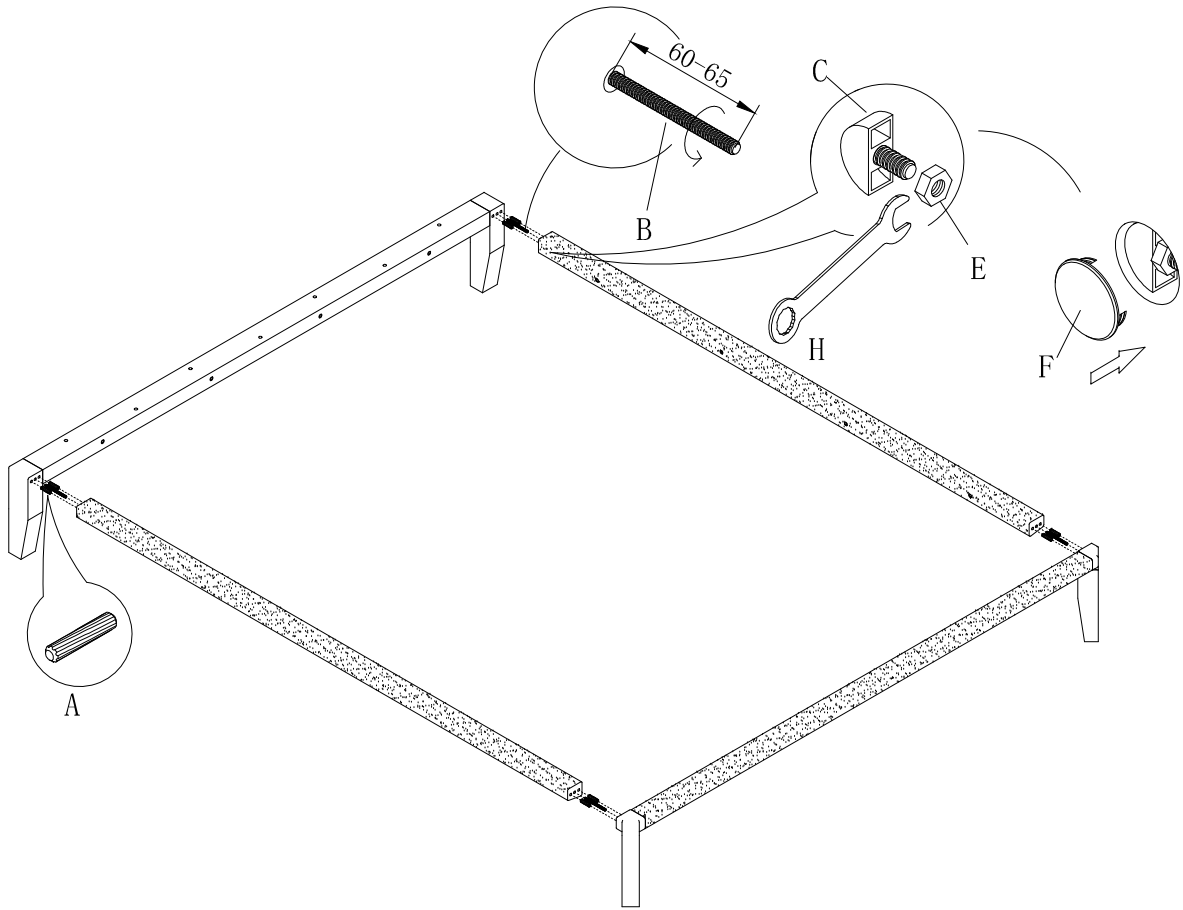
L x8
Spec: $5/16 \times L60$



M x7
Spec: $\varnothing 8 \times \varnothing 14$

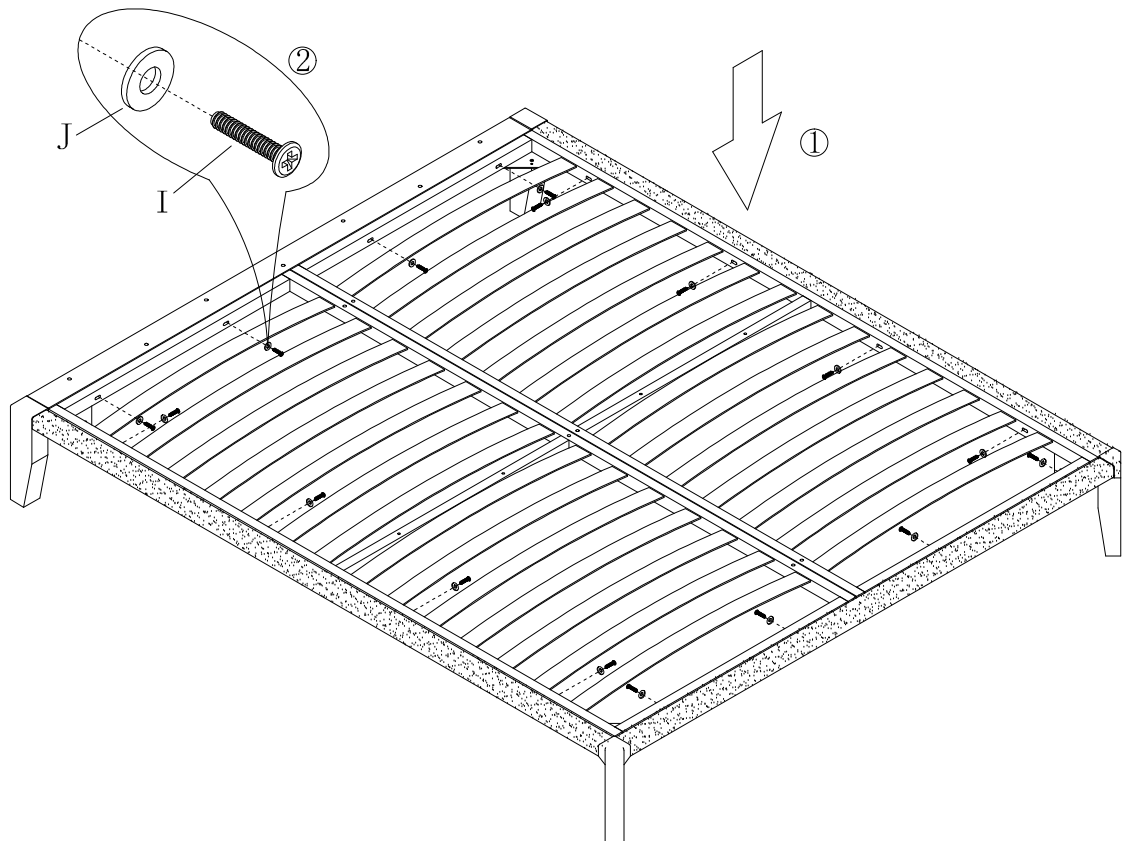


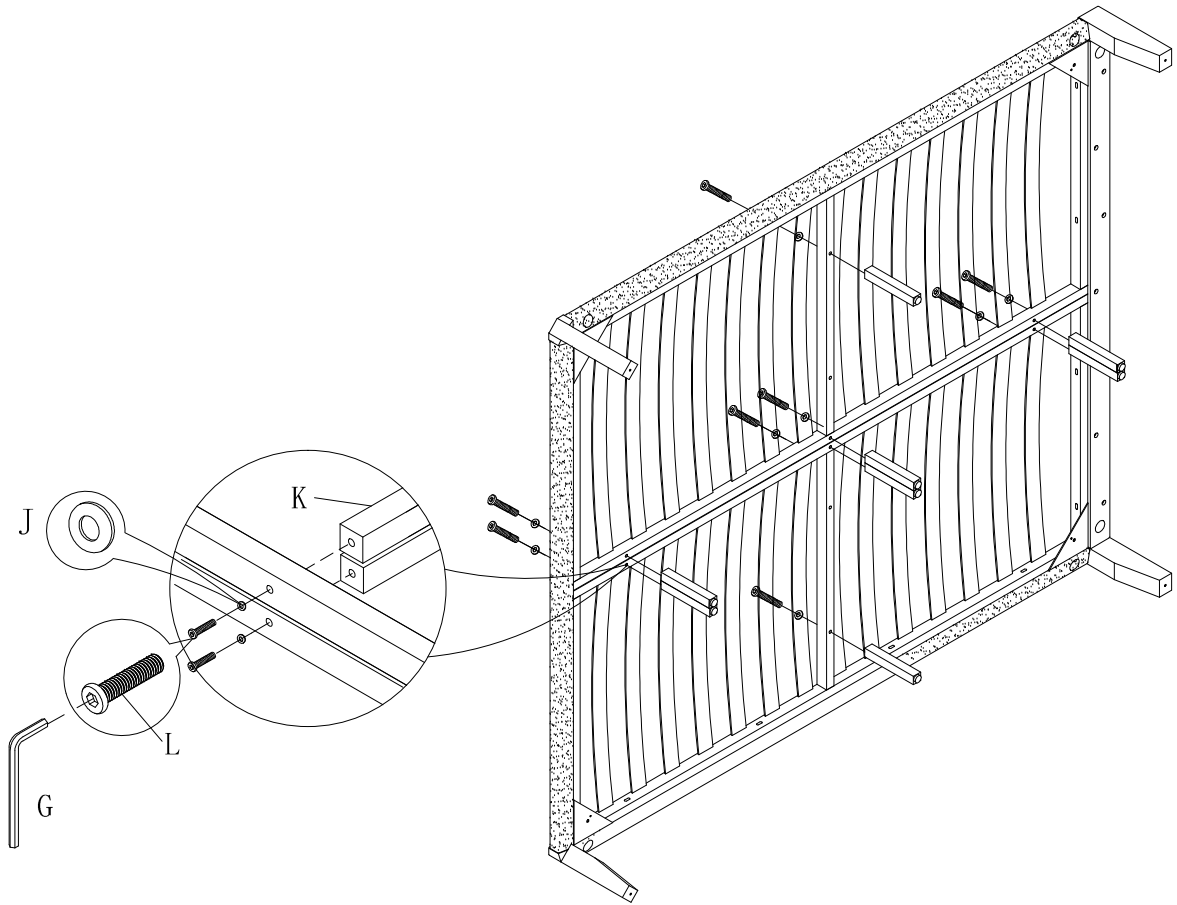
N x7
Spec: $5/16 \times L65$



1

2





3

4

