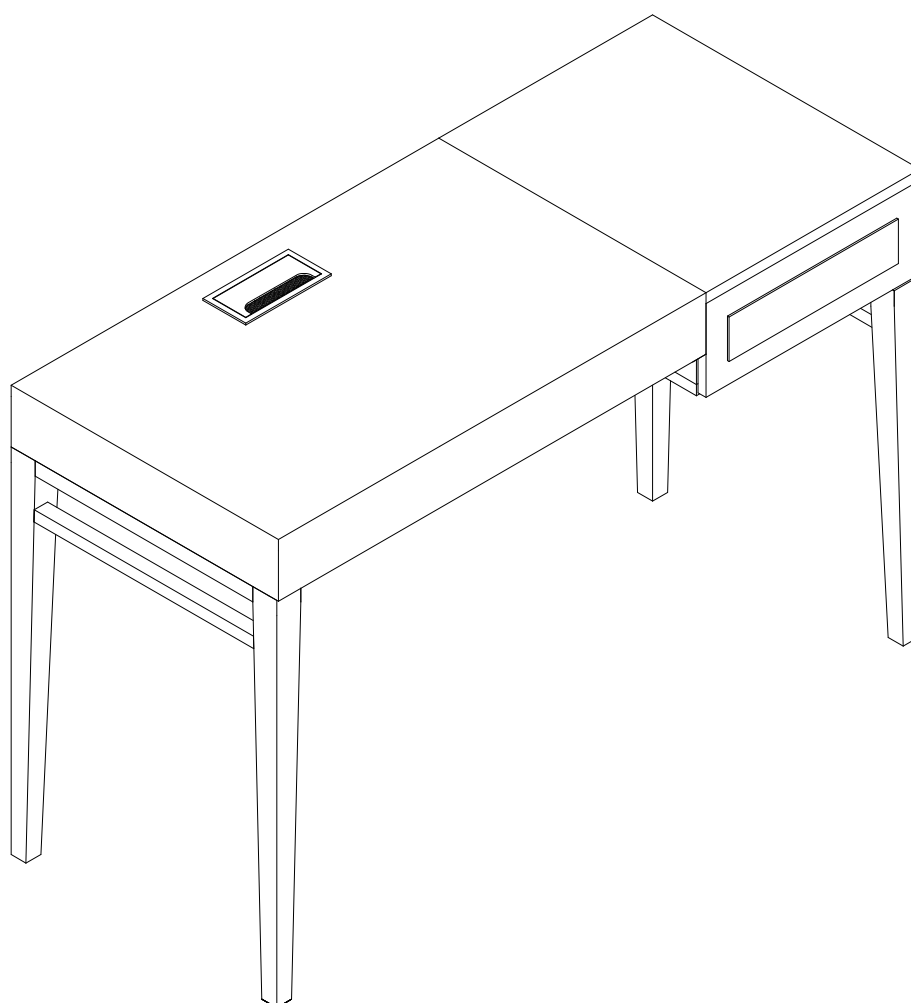
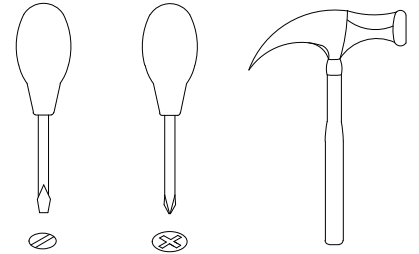
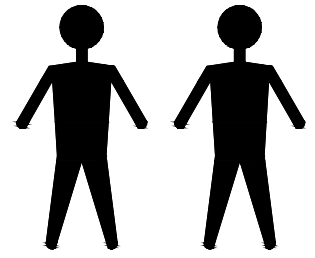


MDI. WD. MRB. 6

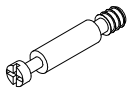


EAC

MDI. WD. MRB. 6



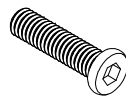
A x20
Spec:



B x10
Spec: $\varnothing 7 * L30$



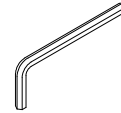
C x10
Spec: $\varnothing 15 * H12$



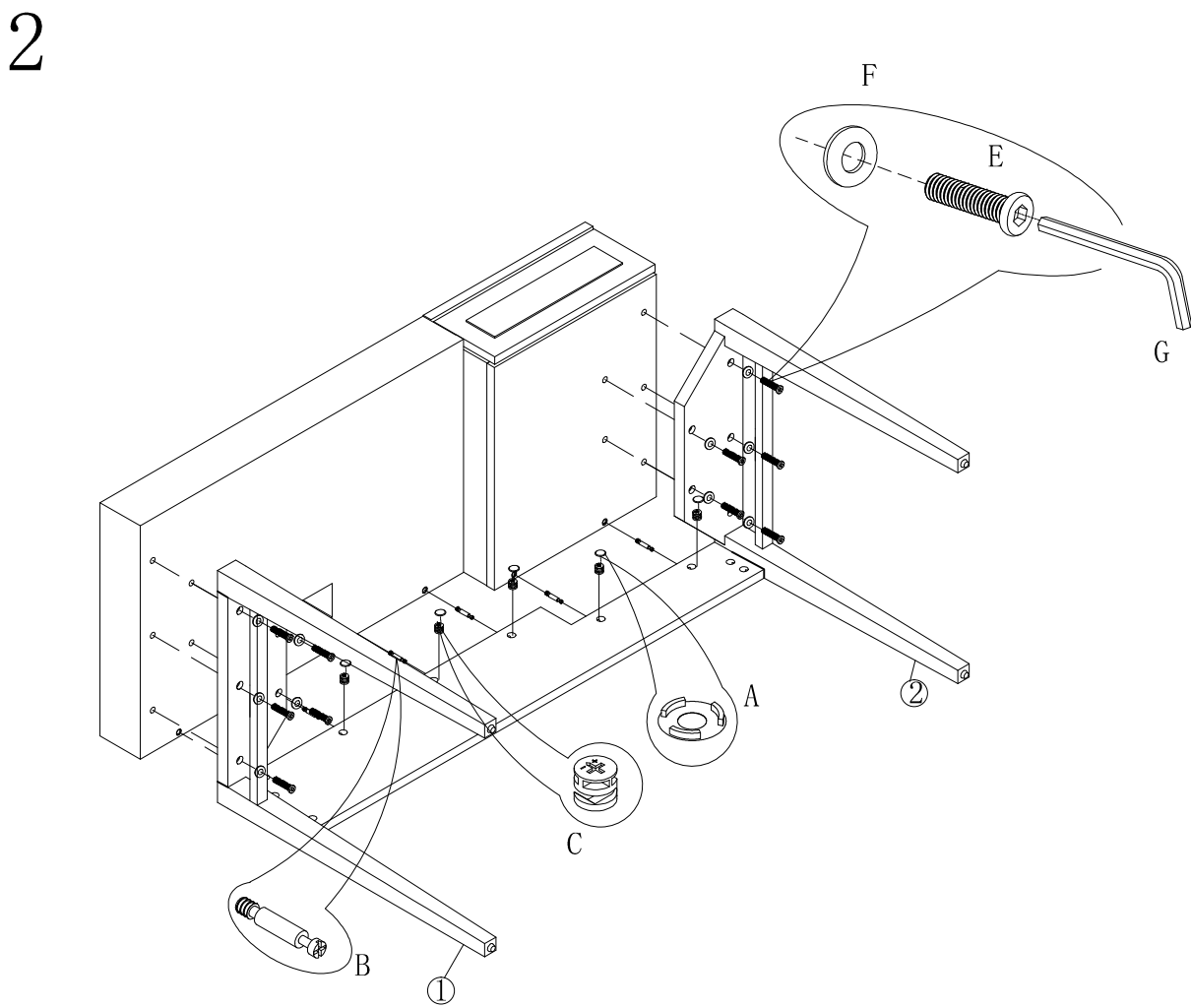
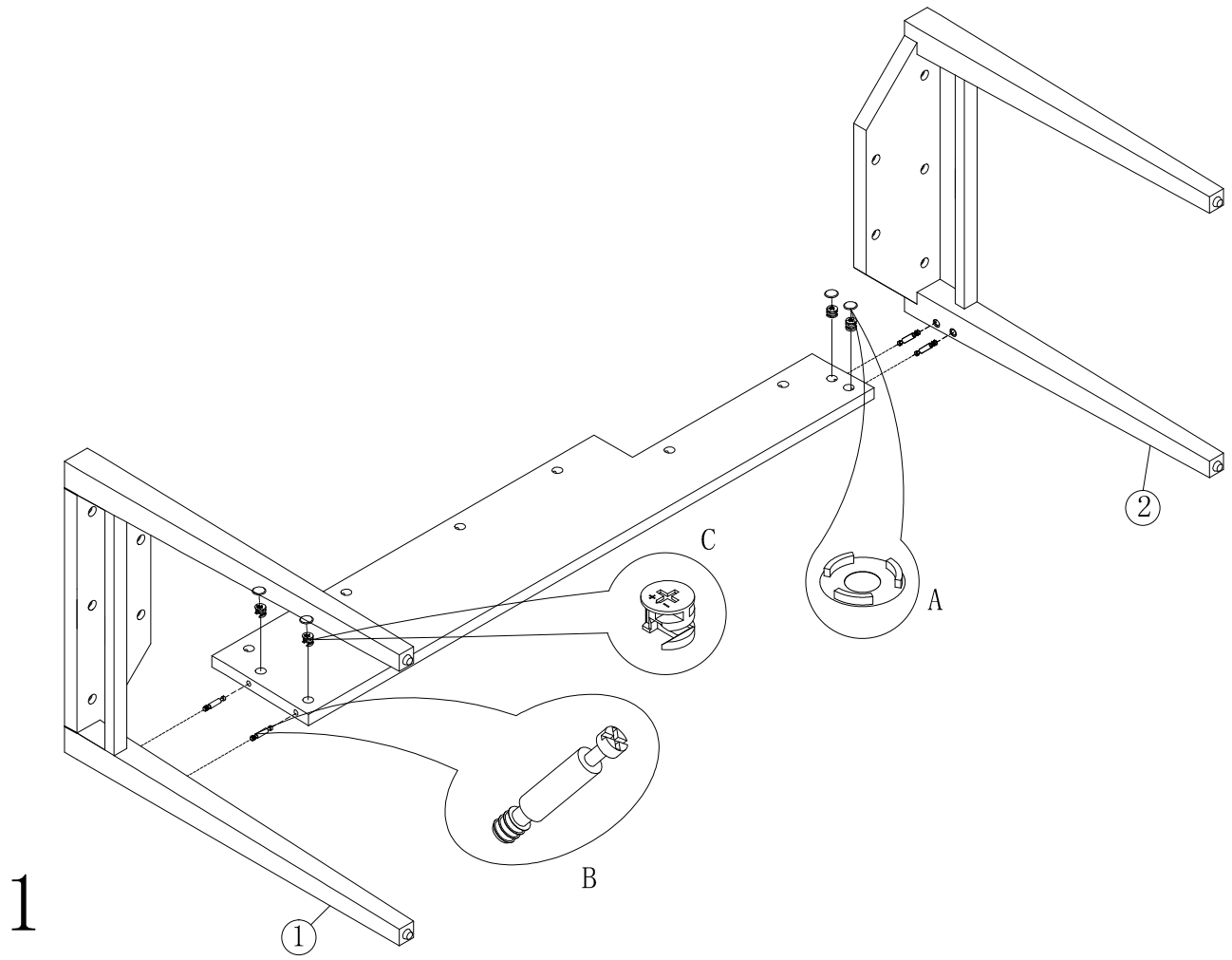
E x10
Spec: $5/16 * L30$



F x10
Spec: $M14 * 8.2 * 1$



G x1
Spec: 5#



Adjustable Method

