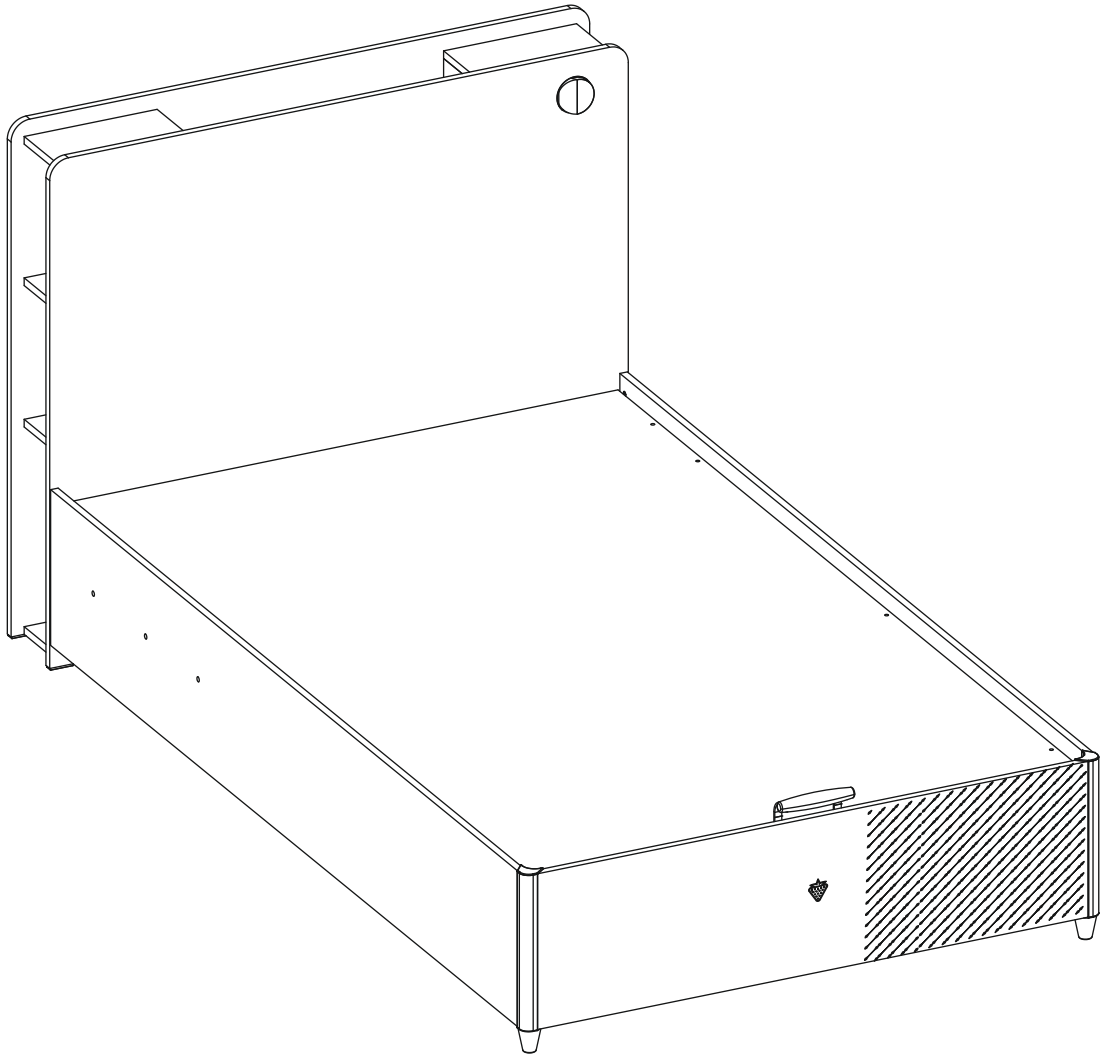
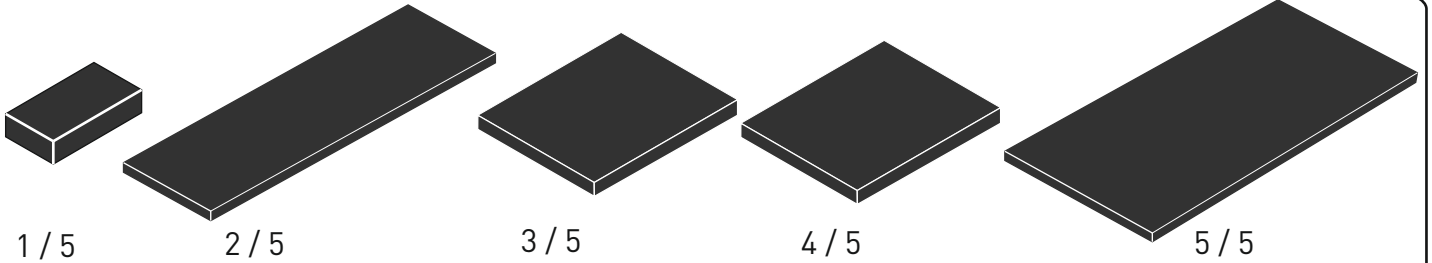
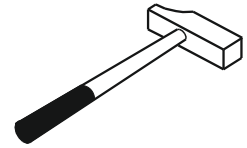
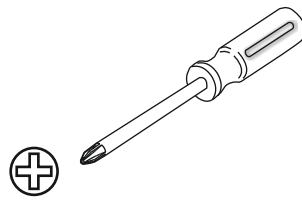
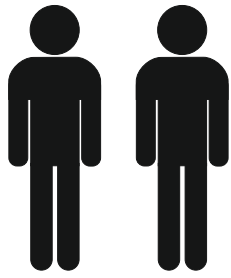


20.58.1706.00





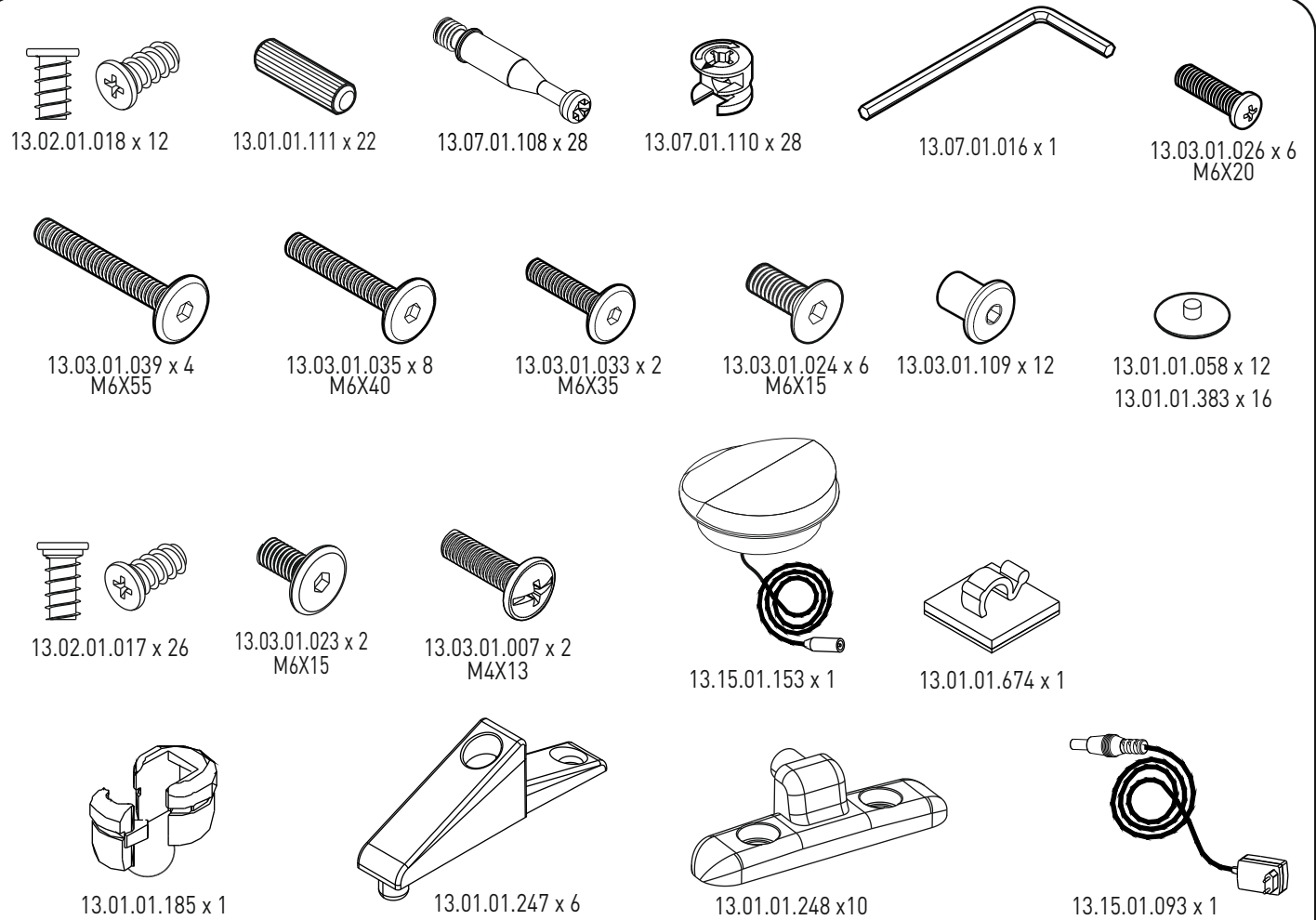
1 / 5

2 / 5

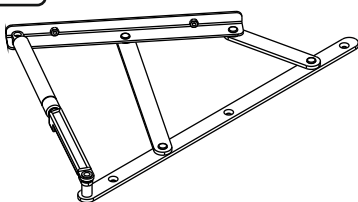
3 / 5

4 / 5

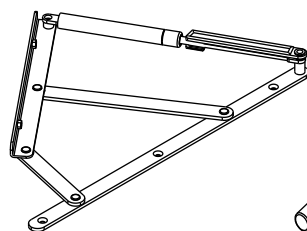
5 / 5



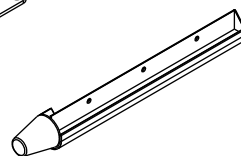
1 / 5



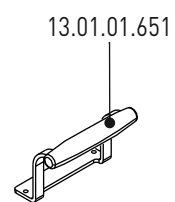
13.07.01.576 x 1



13.07.01.577 x 1

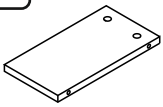


18.58.1706.203 x 2

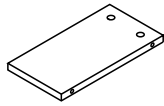


18.58.1706.204 x 1

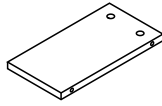
2 / 5



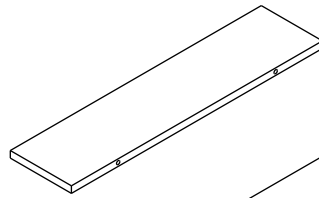
18.58.1706.008 x 2



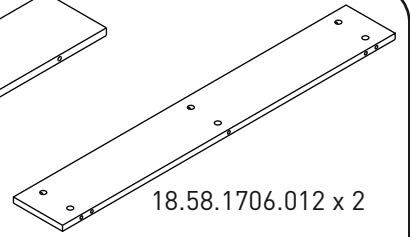
18.58.1706.010 x 2



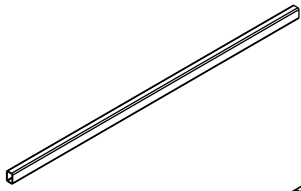
18.58.1706.011 x 4



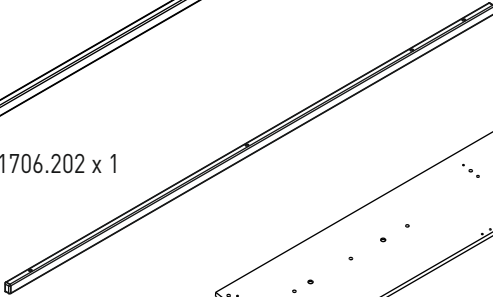
18.58.1706.009 x 1



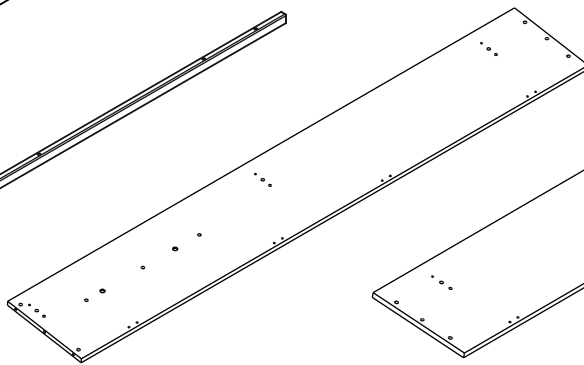
18.58.1706.012 x 2



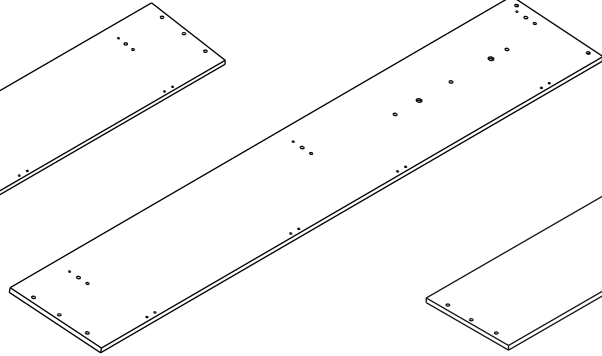
18.58.1706.202 x 1



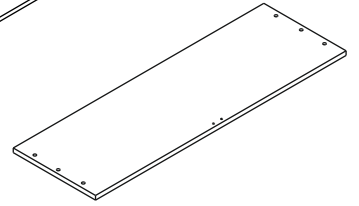
18.58.1706.201 x 2



18.58.1706.002 x 1

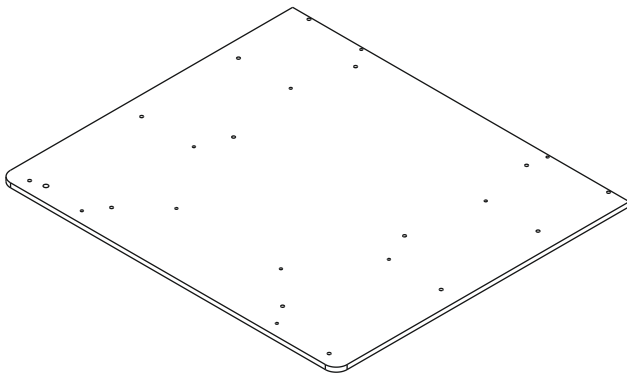


18.58.1706.001 x 1

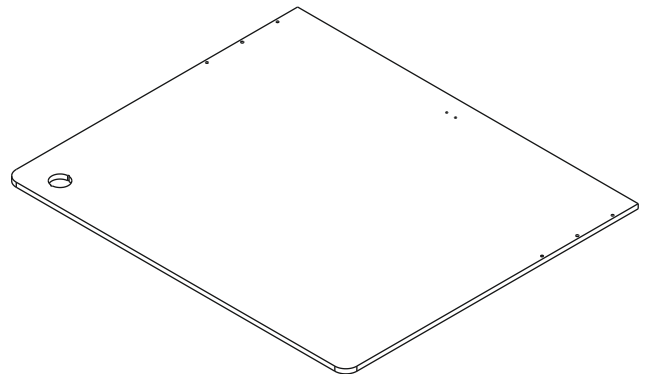


18.58.1706.003 x 1

3 / 5

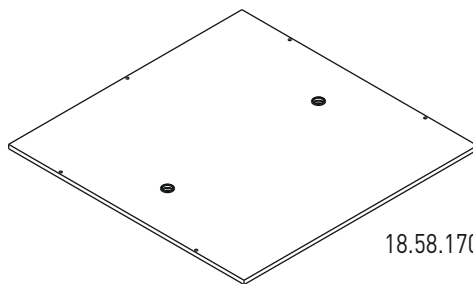


18.58.1706.007 x 1



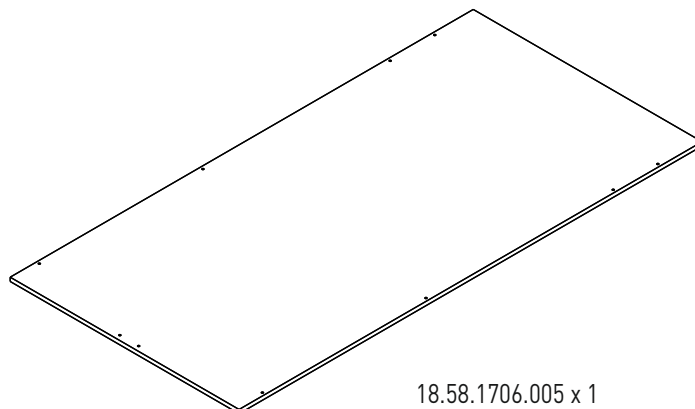
18.58.1706.006 x 1

4 / 5

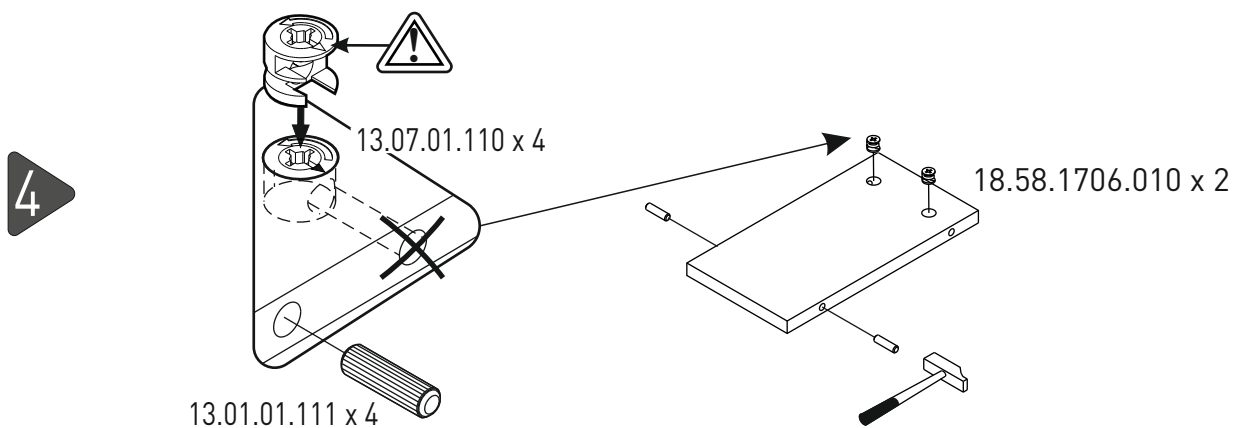
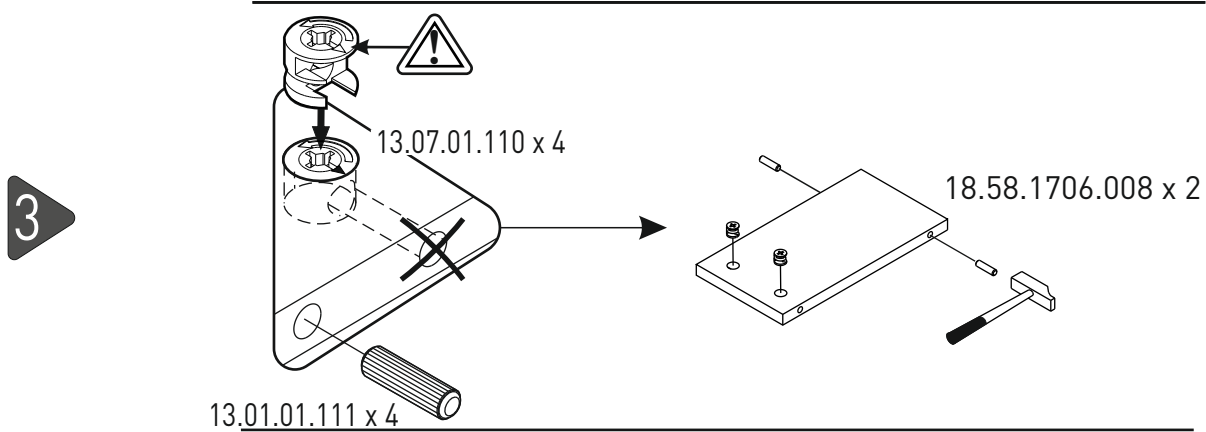
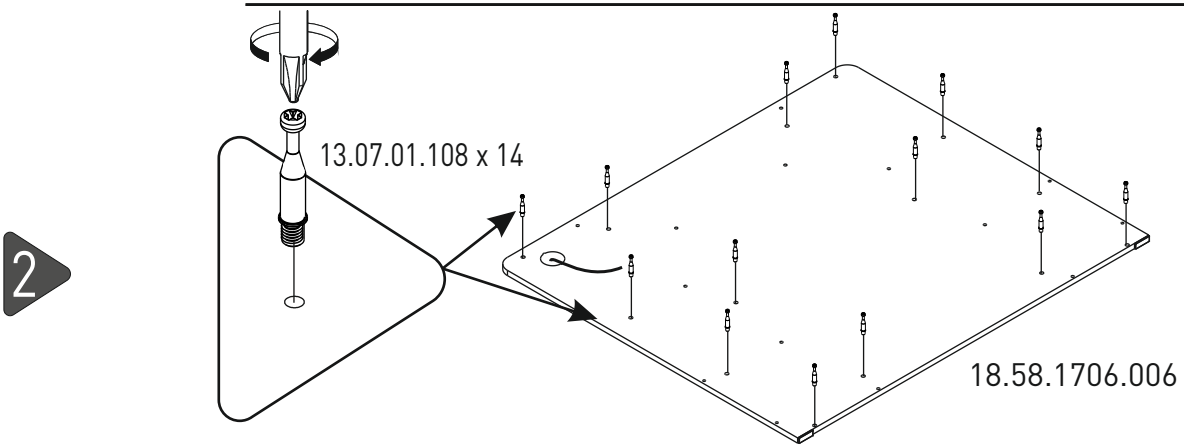
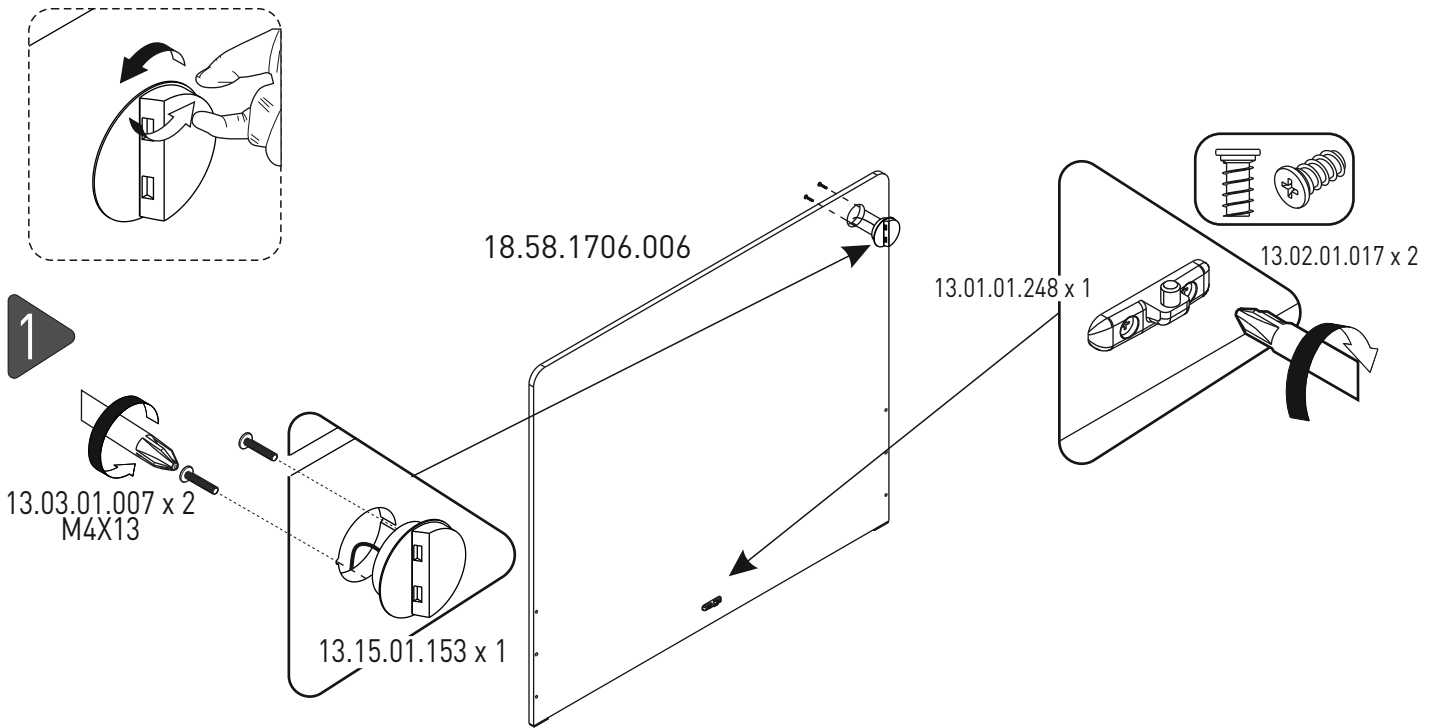


18.58.1706.004 x 2

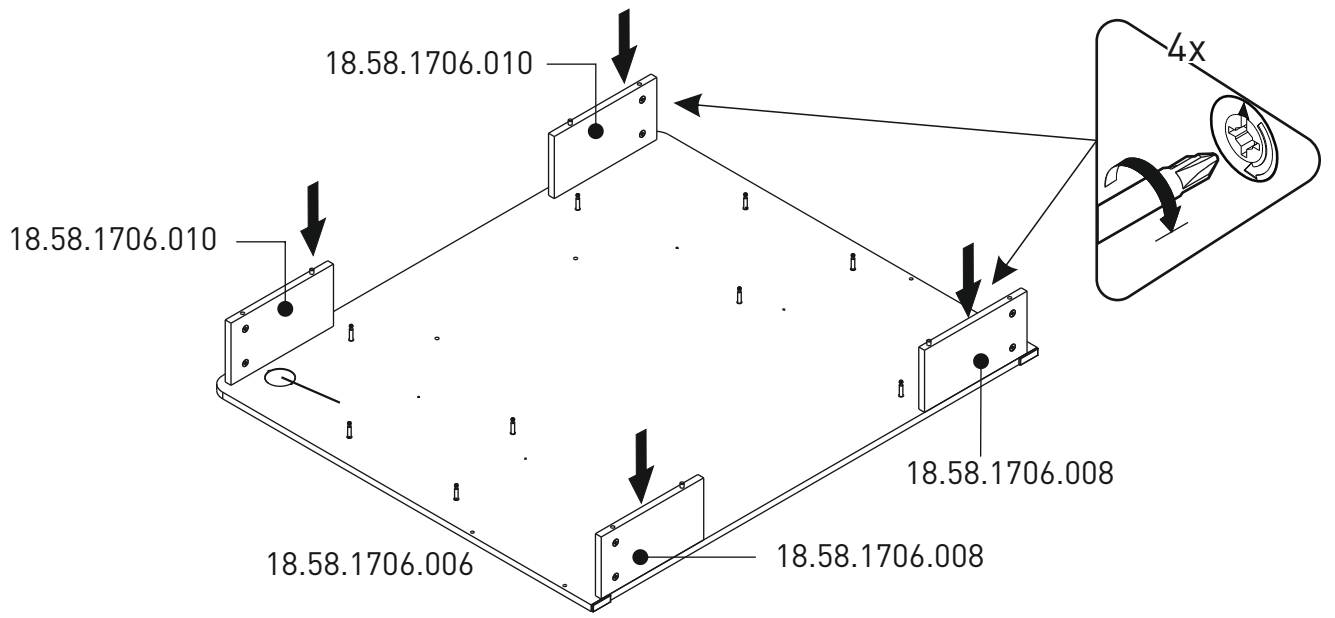
5 / 5



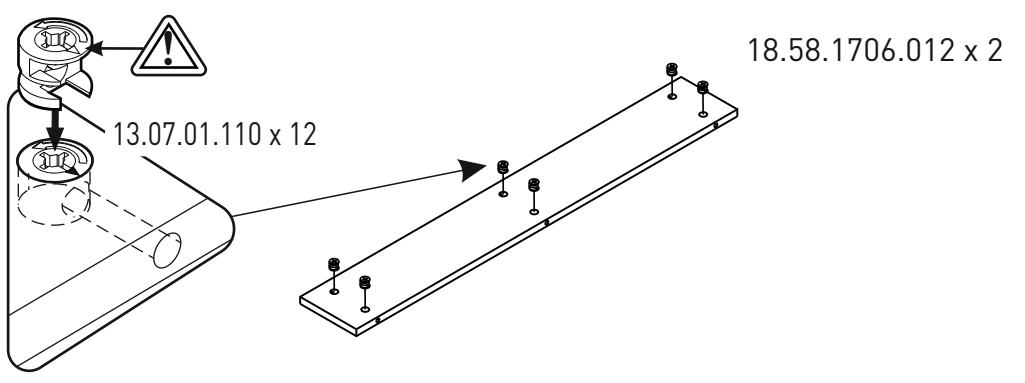
18.58.1706.005 x 1



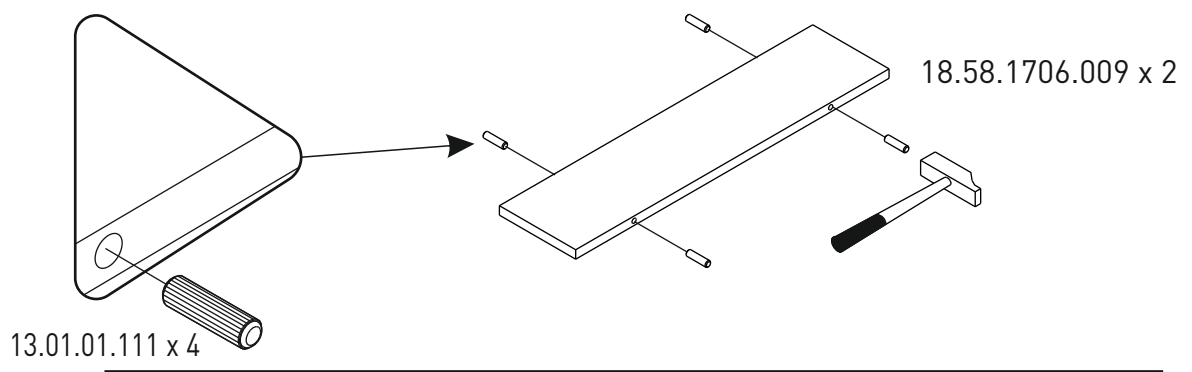
5



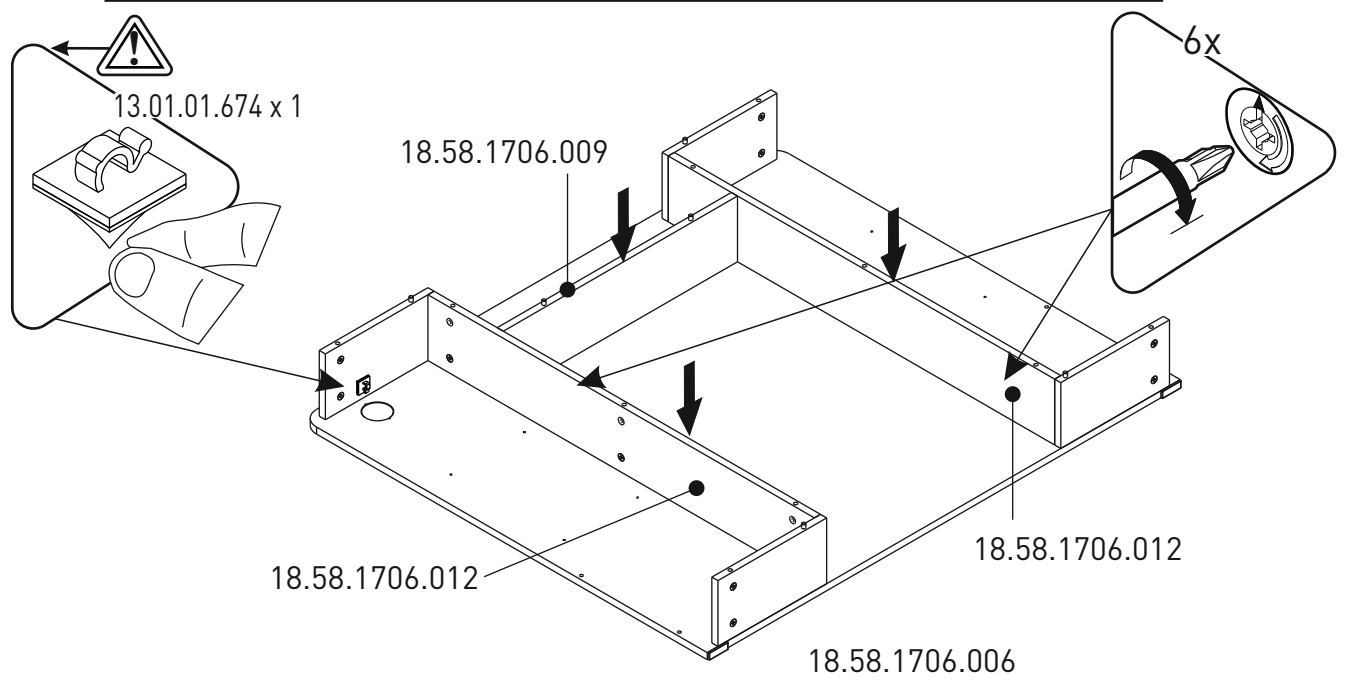
6



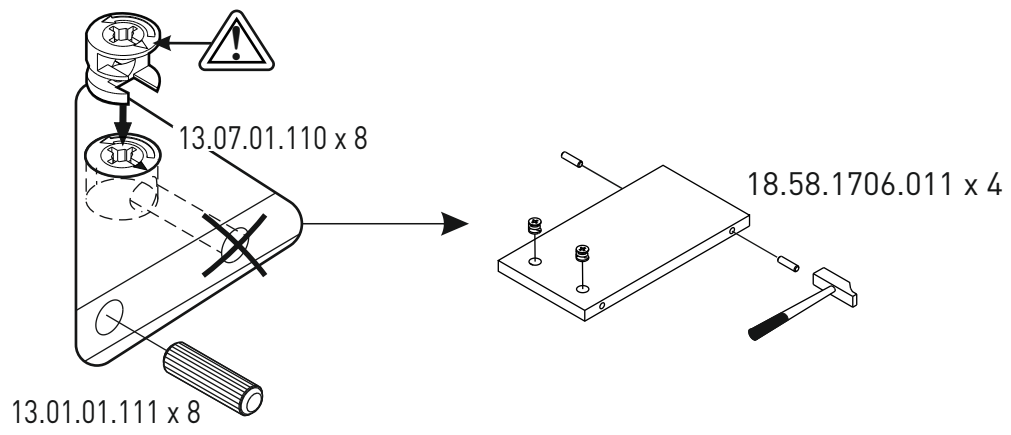
7



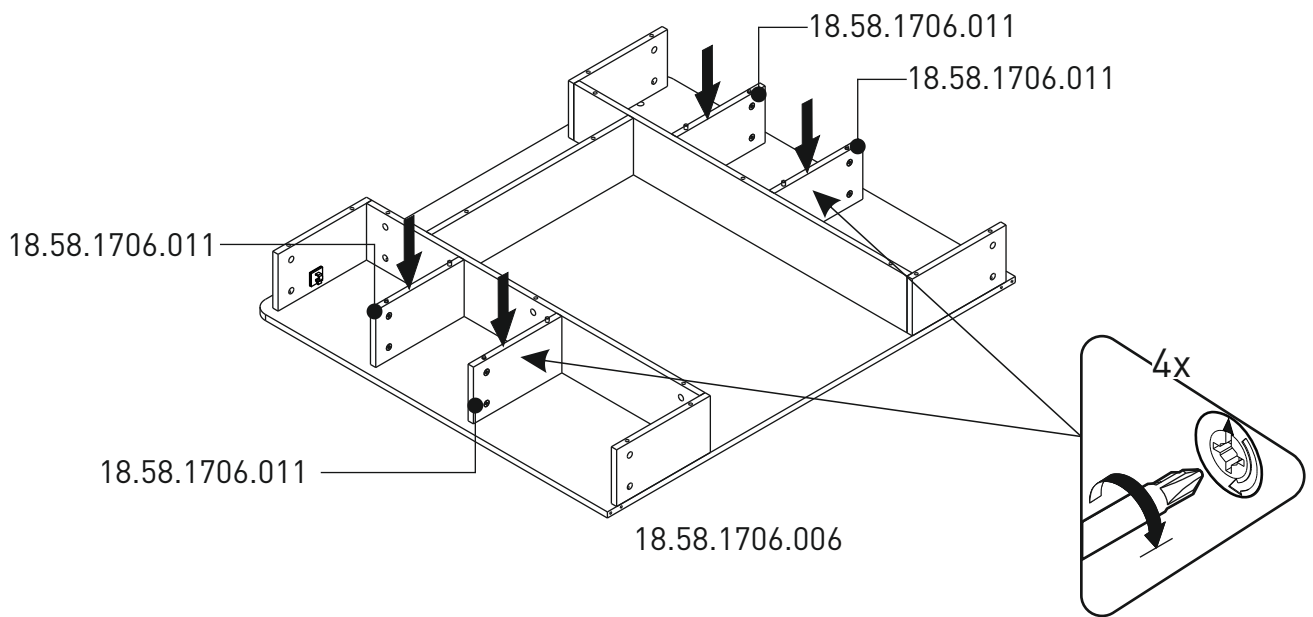
8



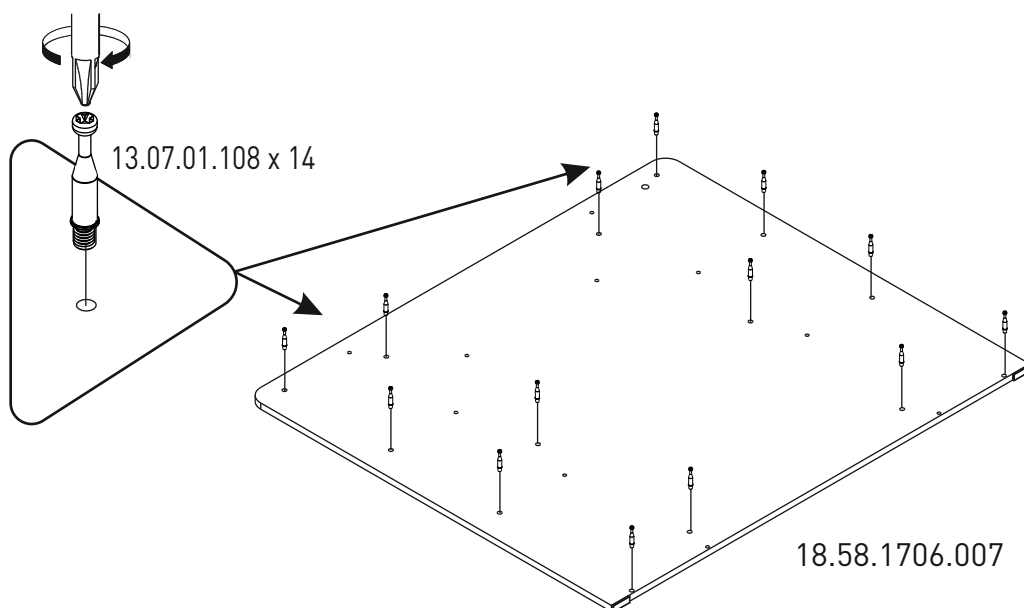
9



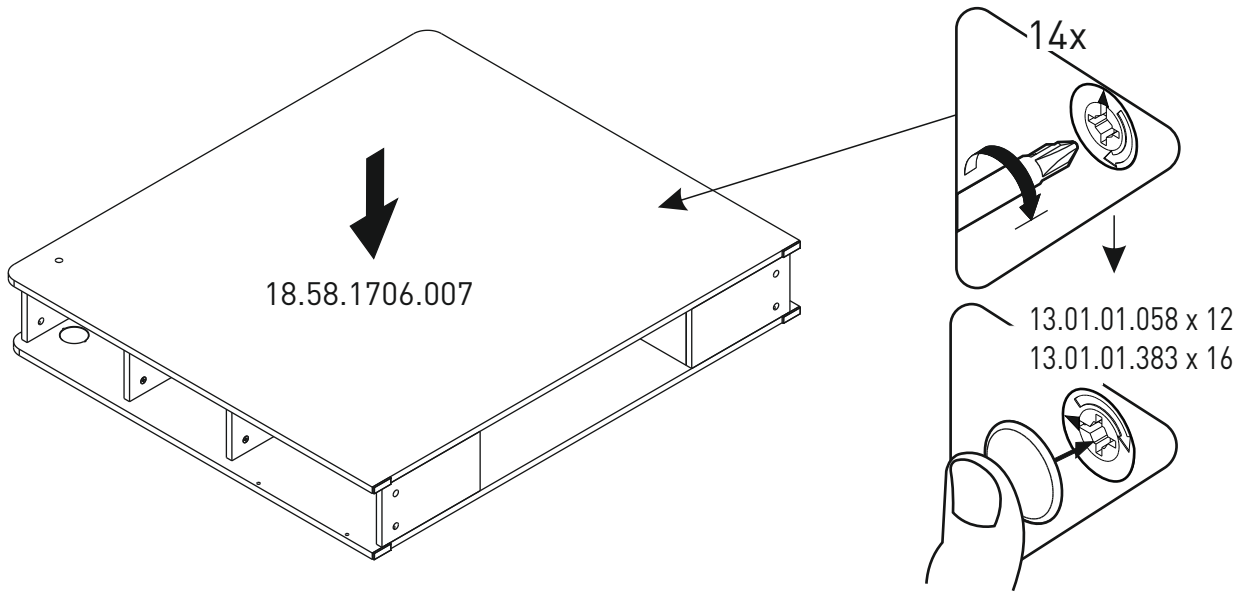
10



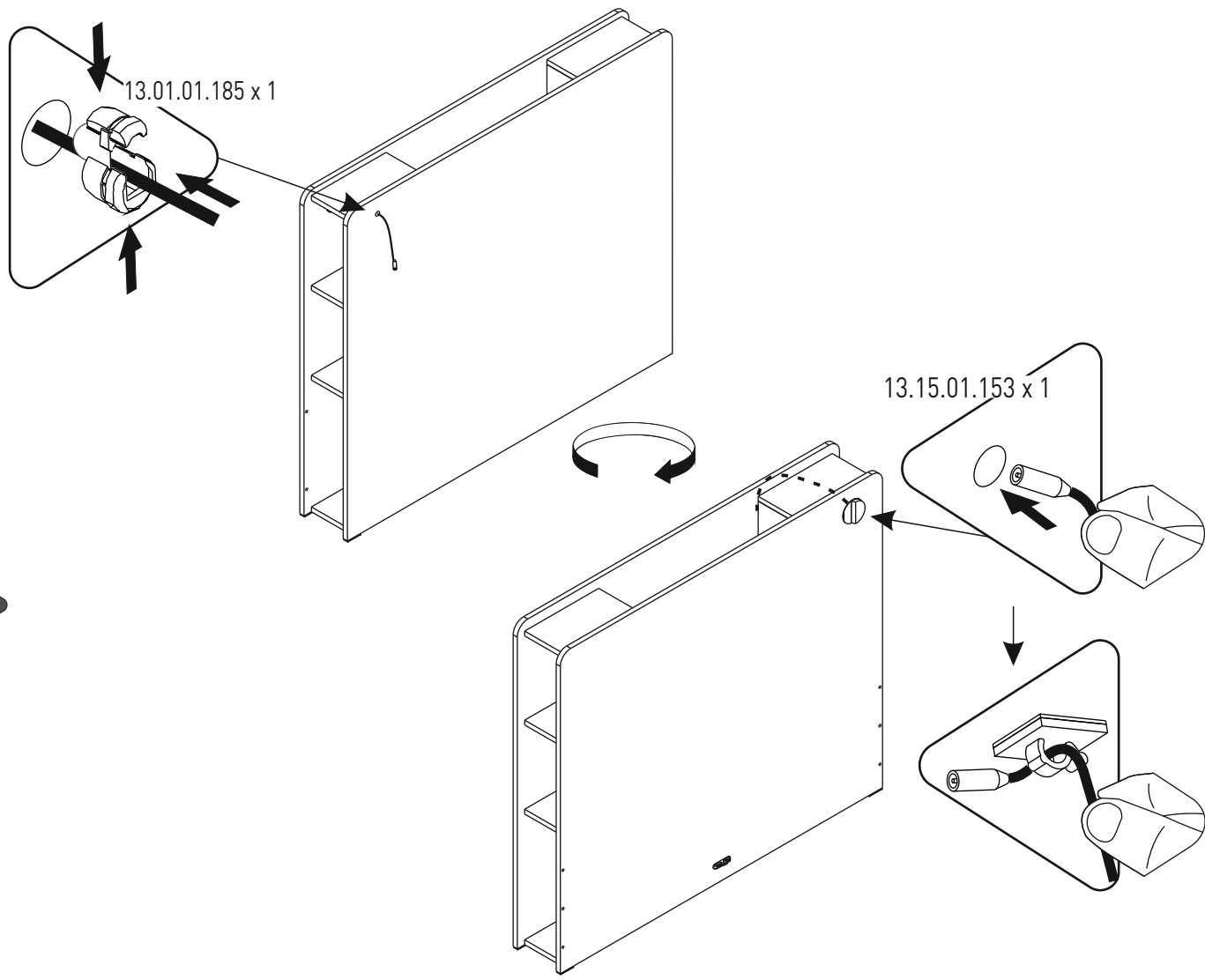
11



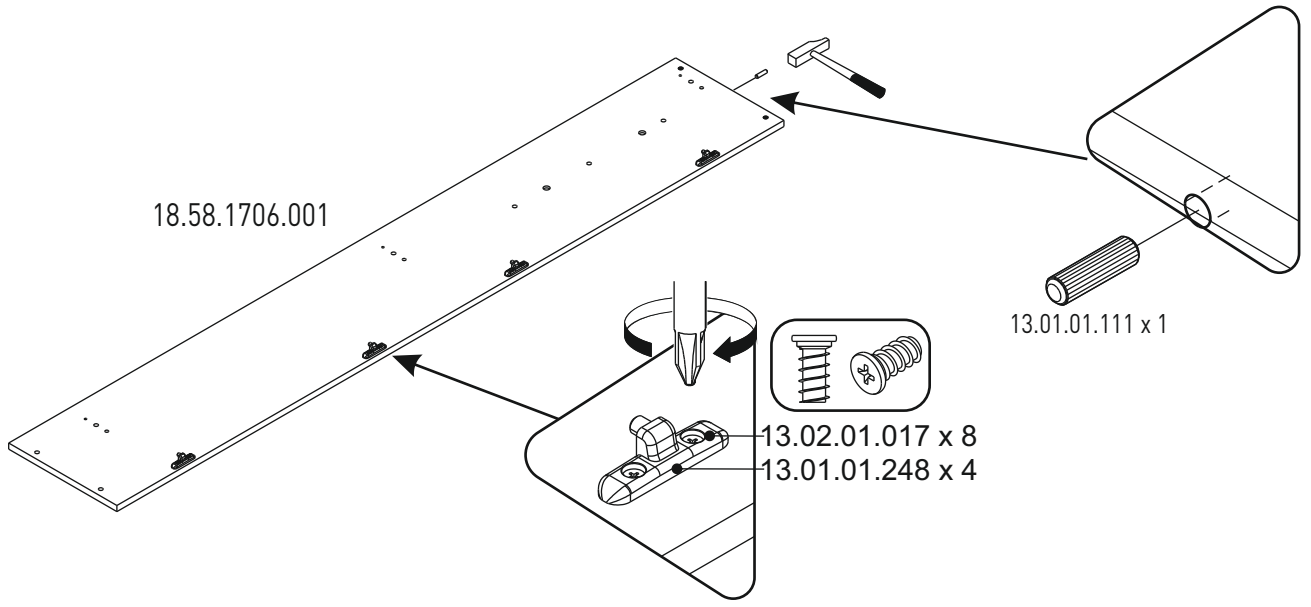
12



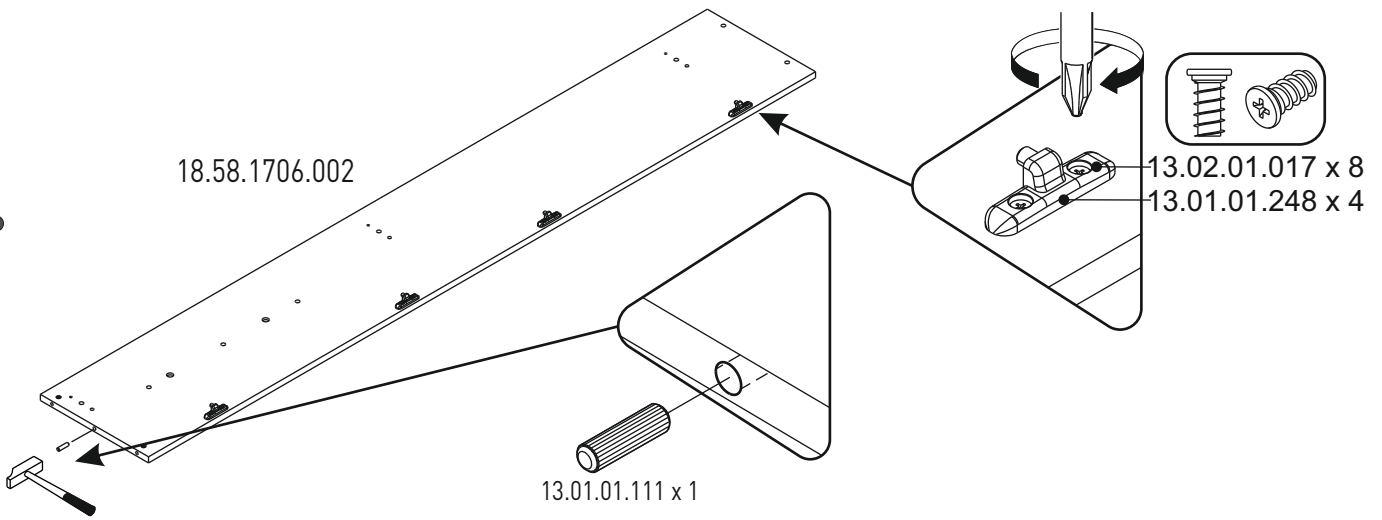
13



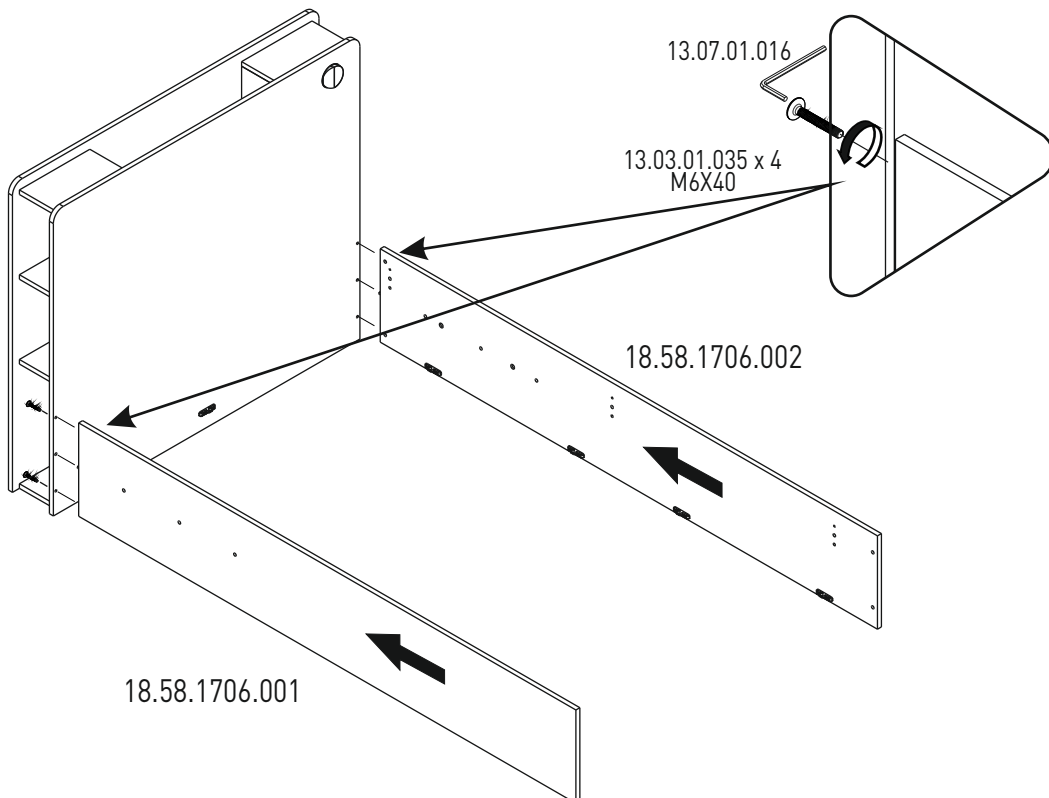
14



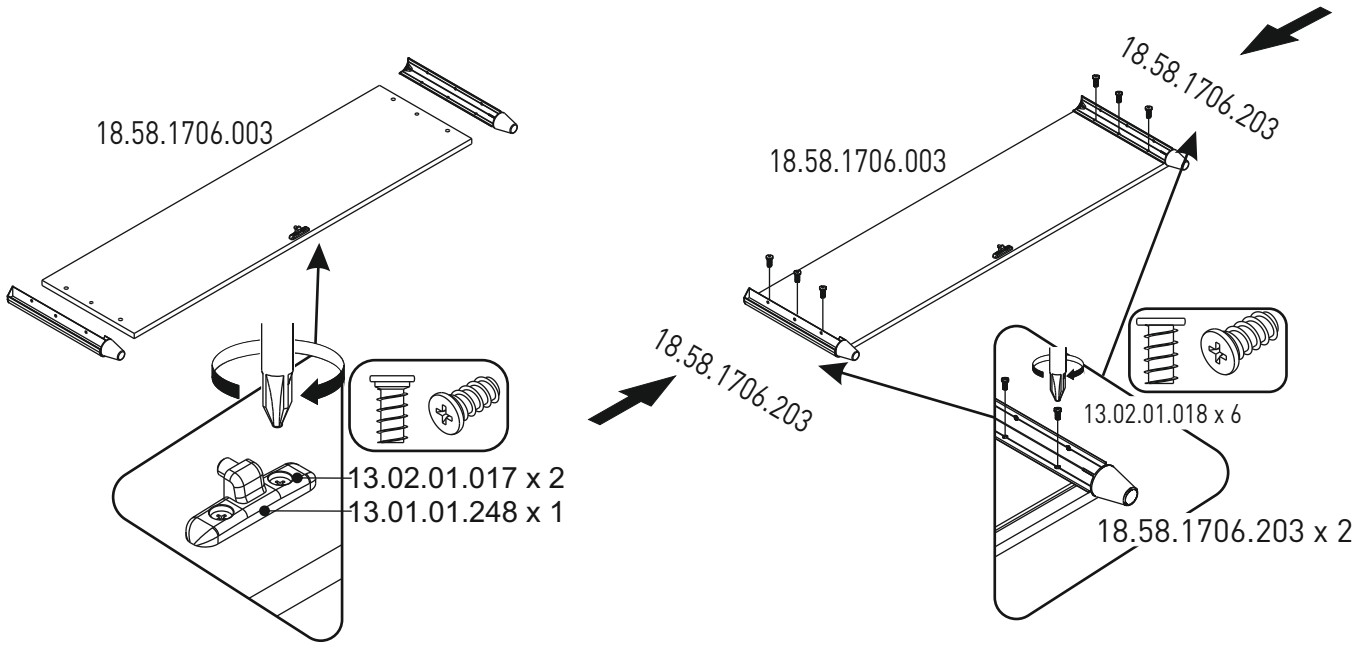
15



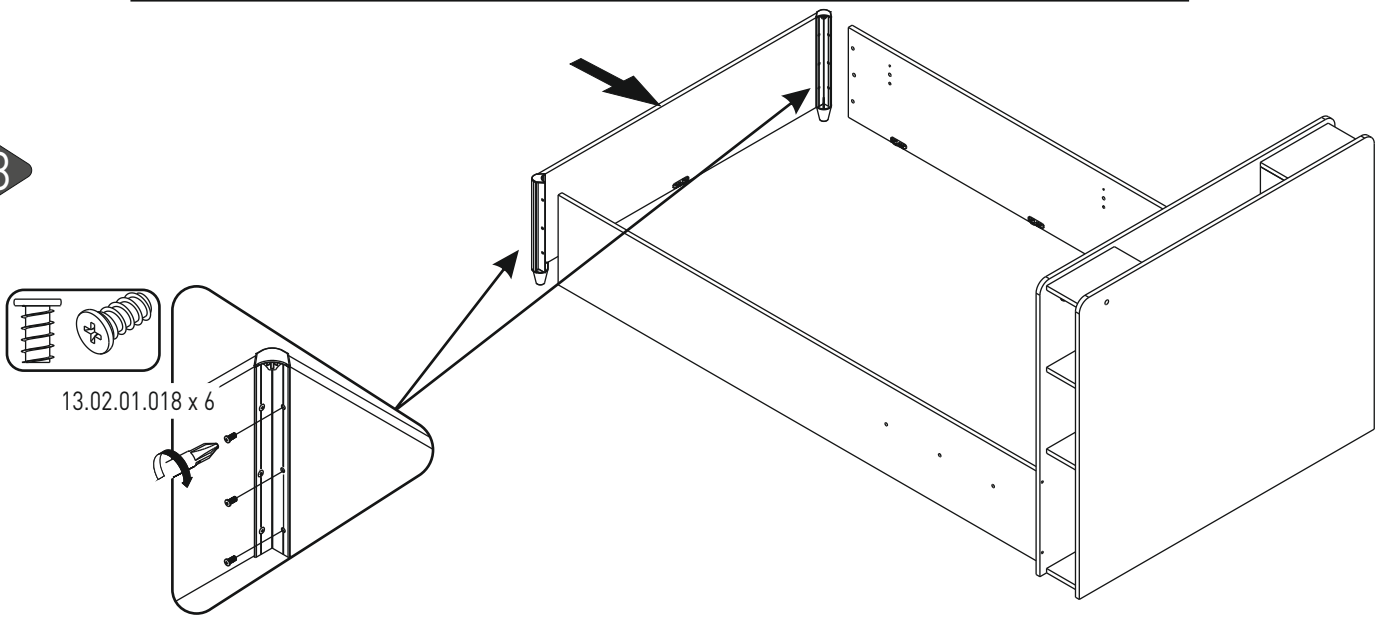
16



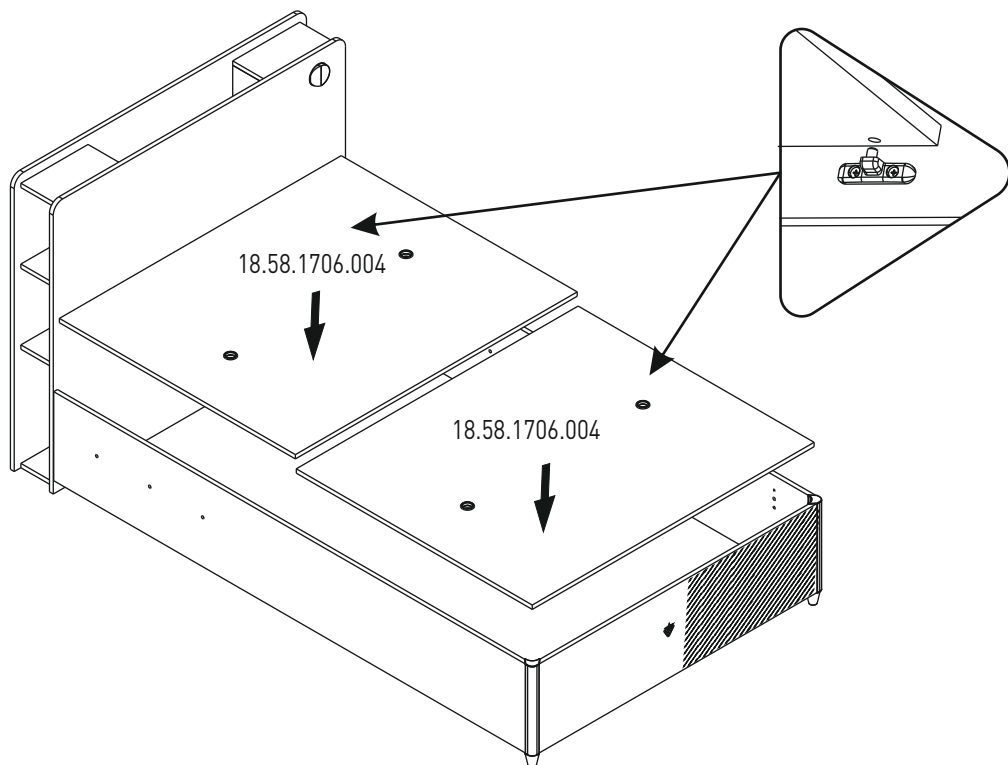
17



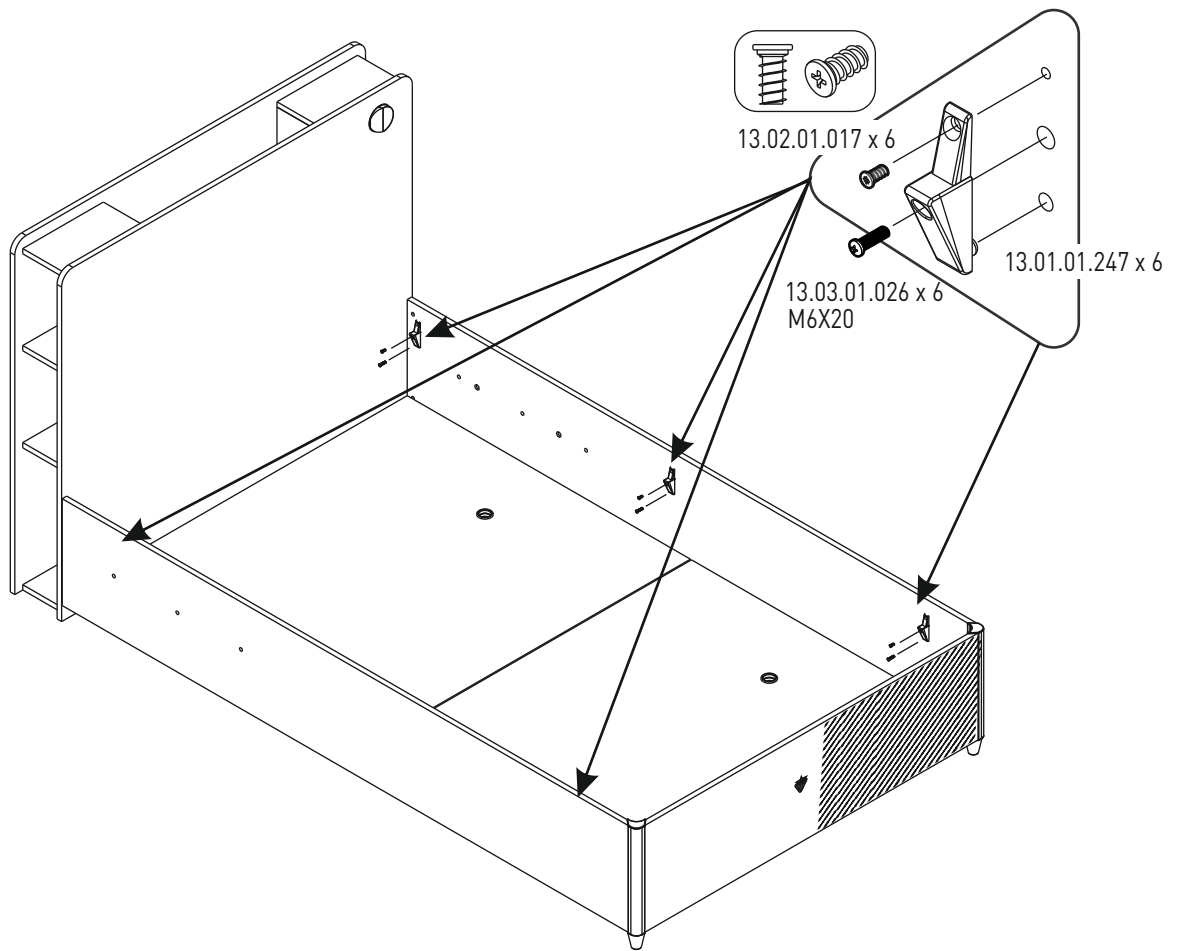
18



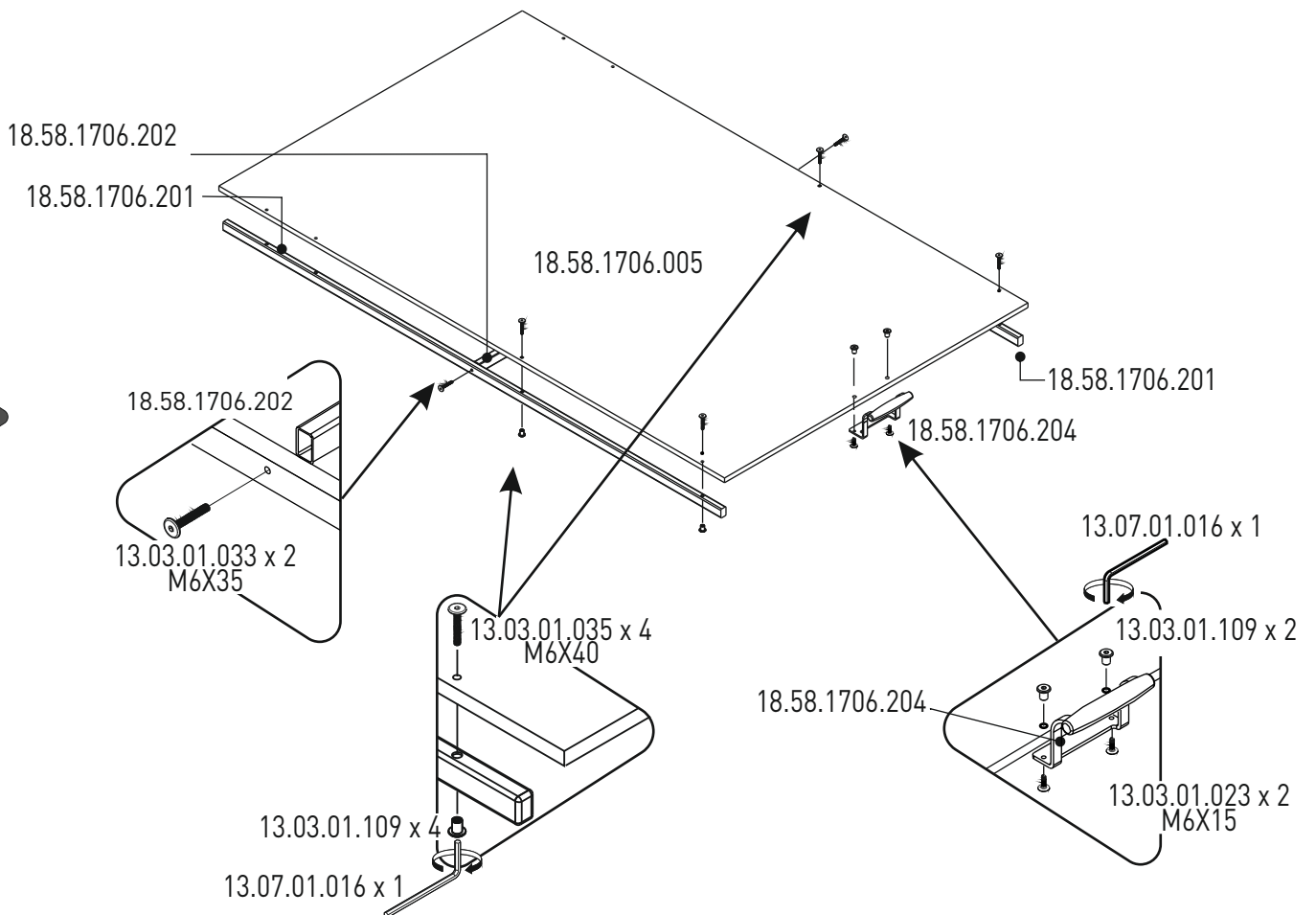
19



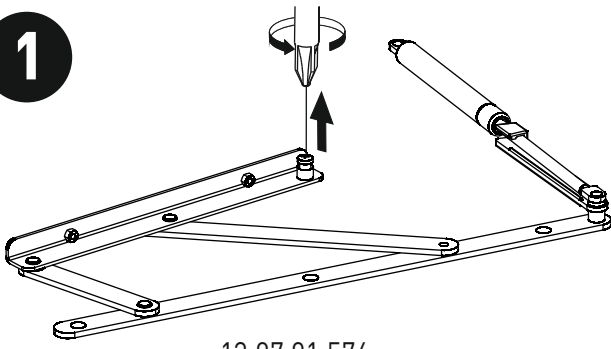
20



21

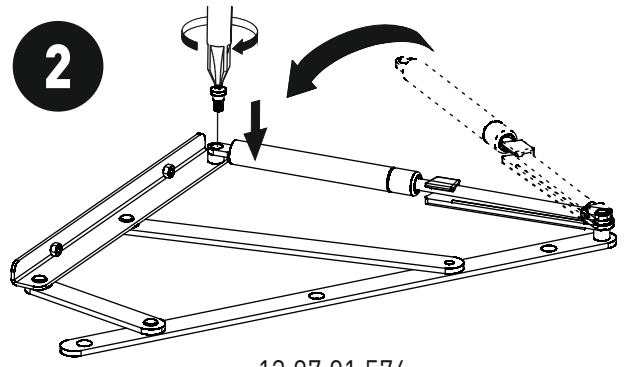


1



13.07.01.576

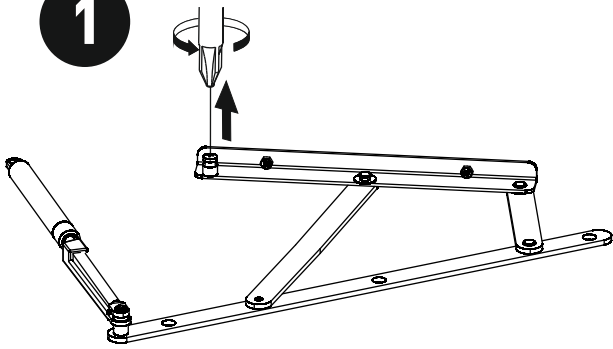
2



13.07.01.576

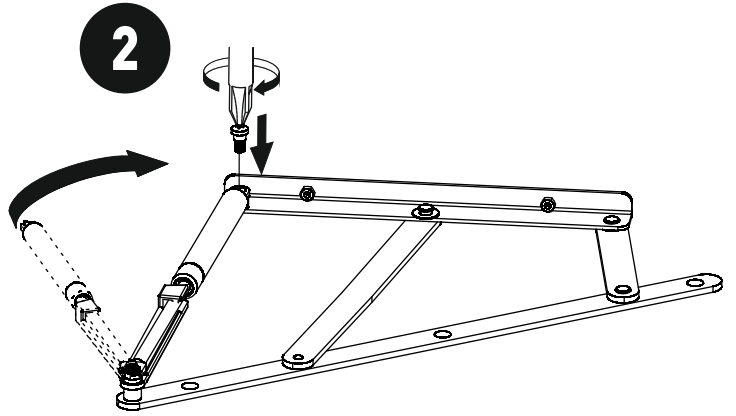
22

1



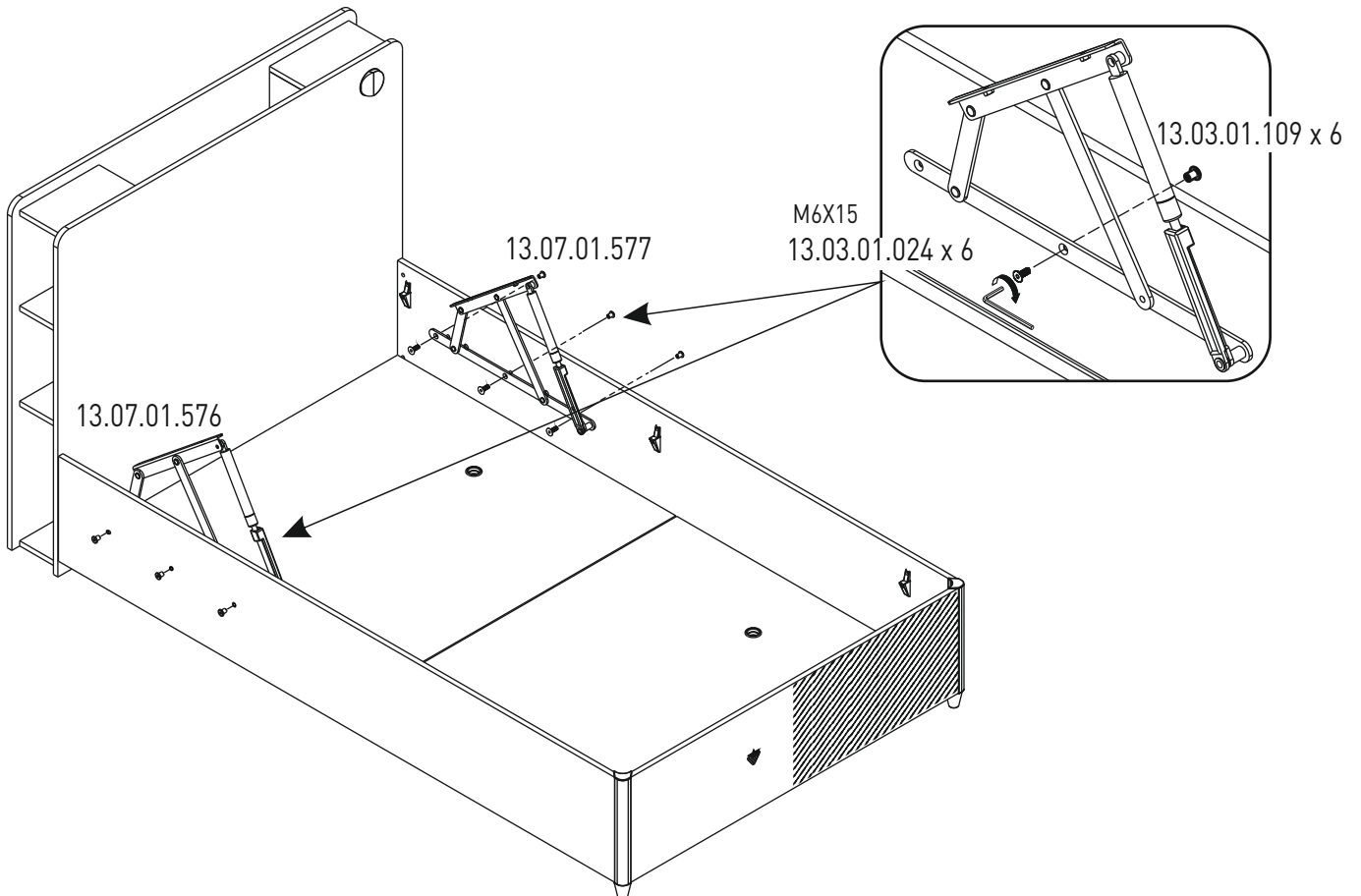
13.07.01.577

2

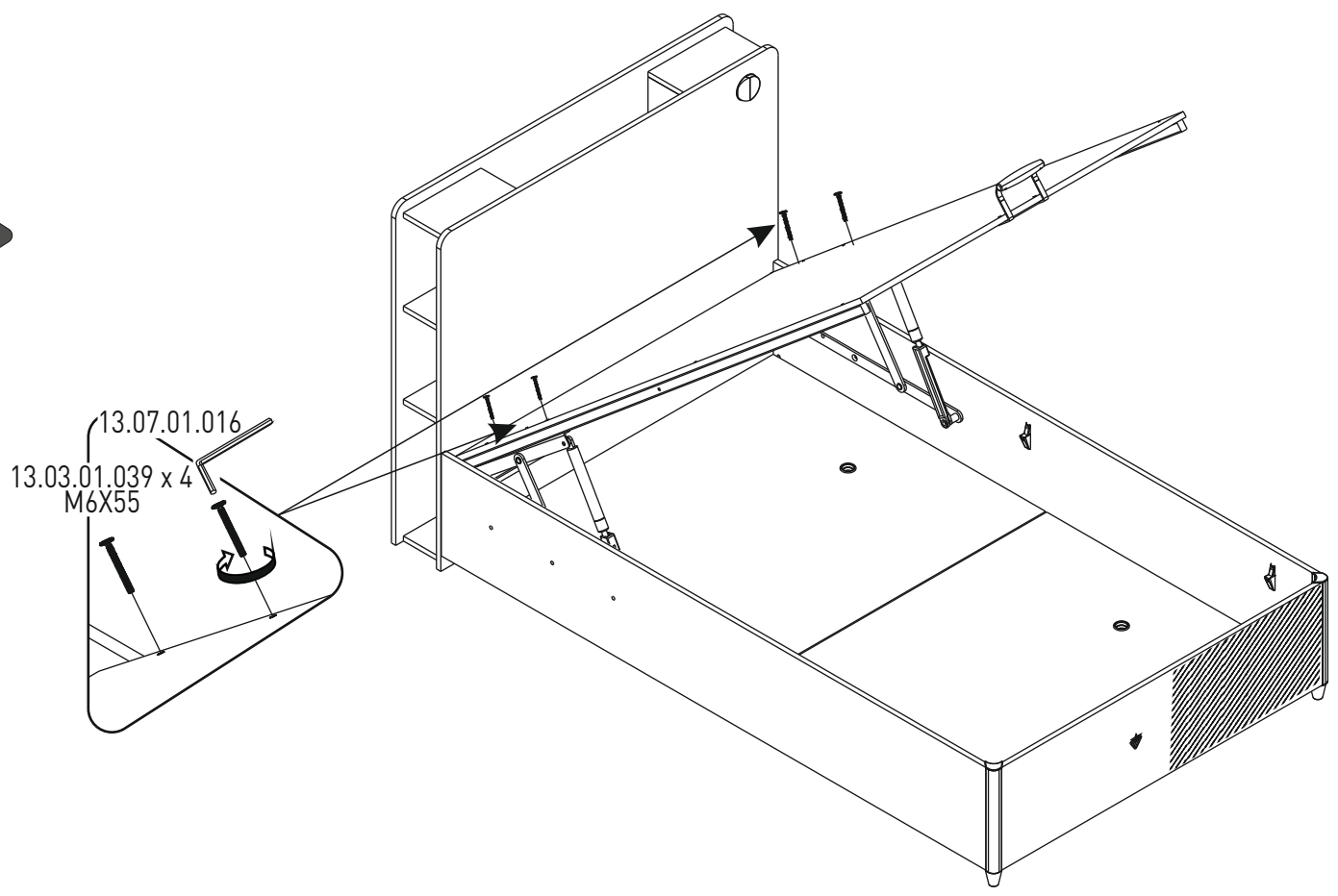


13.07.01.577

23



24



25

