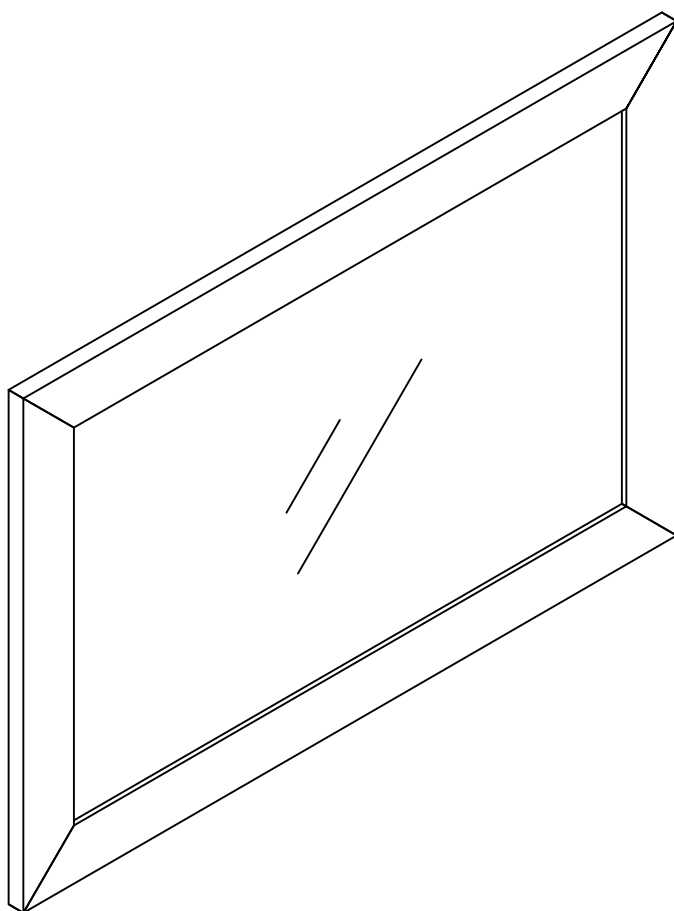
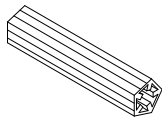
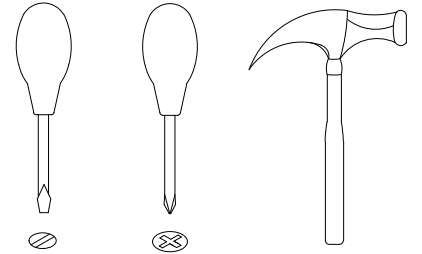
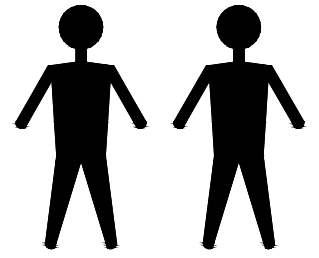




MDI. MR. VC. 5



MDI. MR. VC. 5



A x2
Spec:



B x2
Spec: $\varnothing 3.5 * L32$

