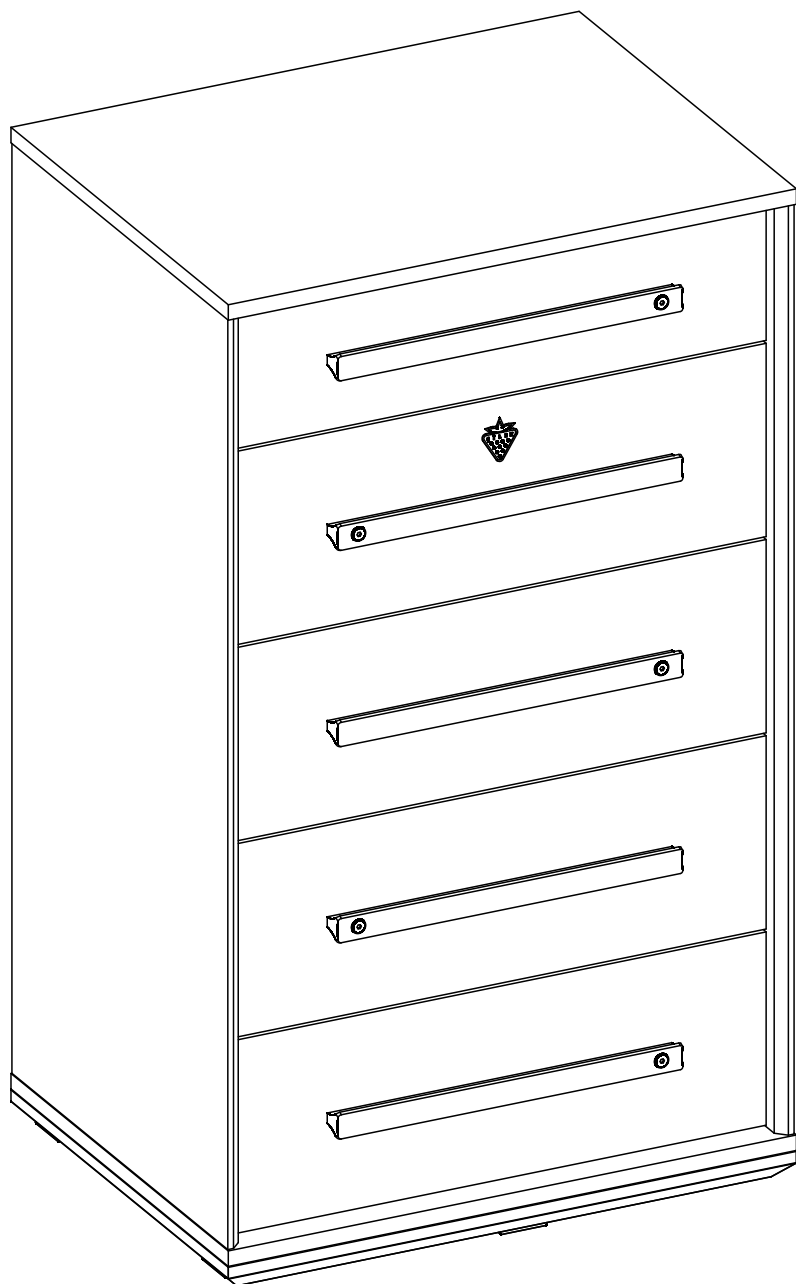
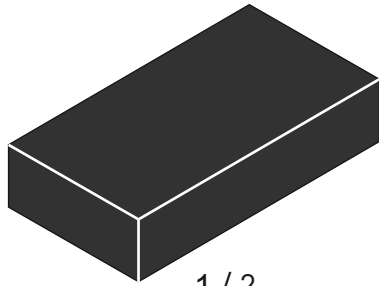
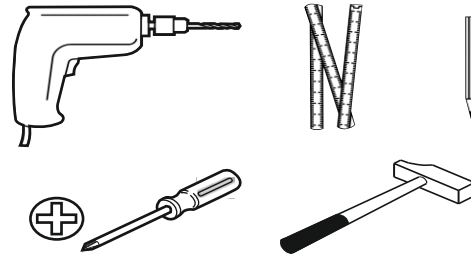
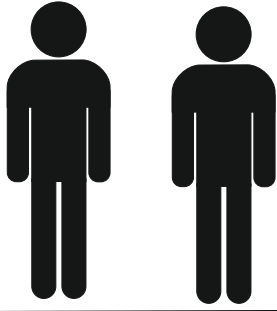
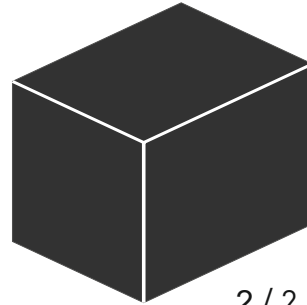


20.73.1202.00

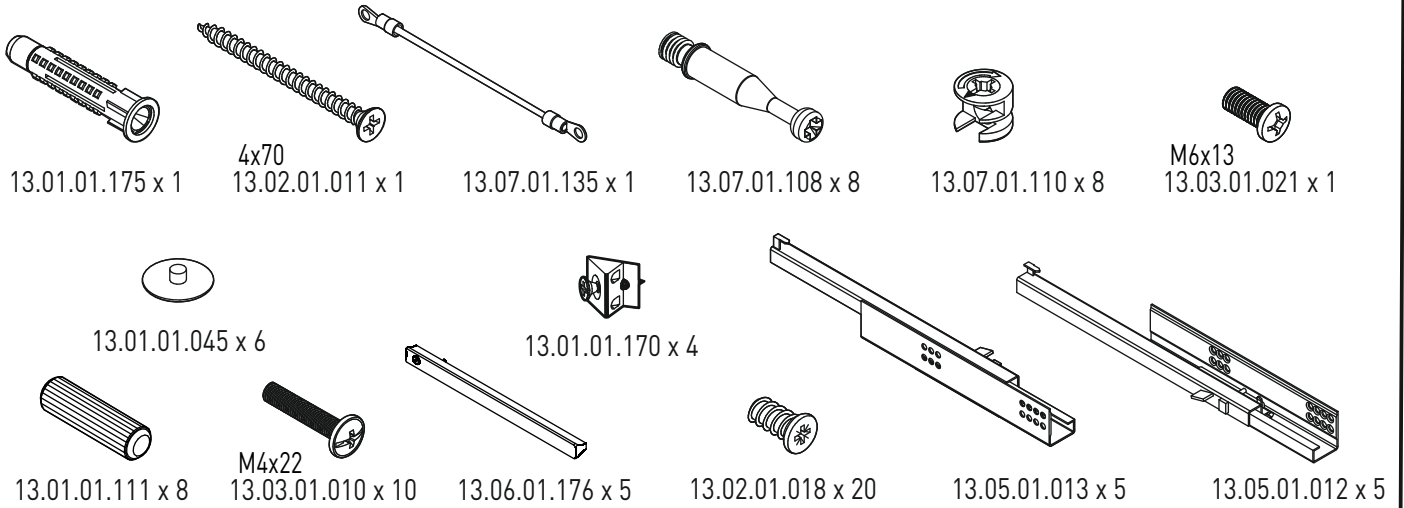




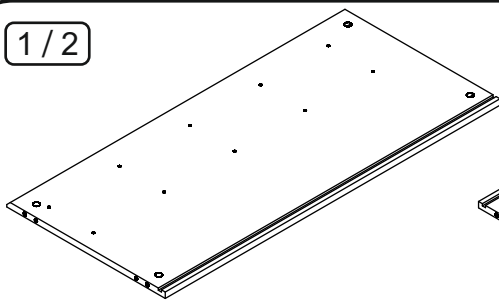
1 / 2



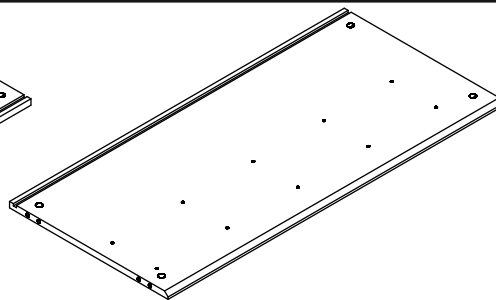
2 / 2



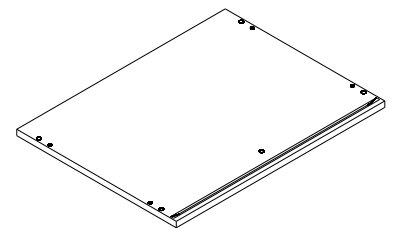
1 / 2



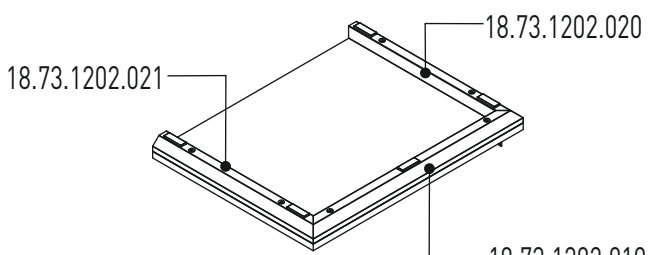
18.73.1202.001 x 1



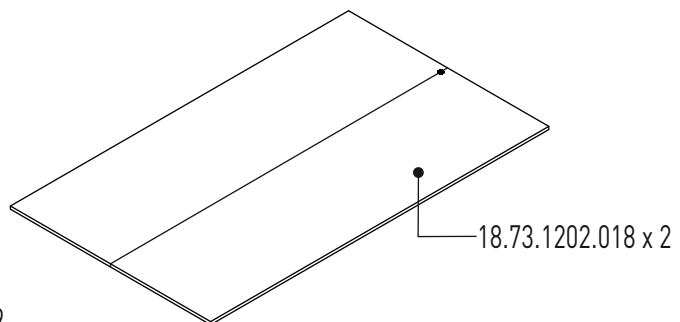
18.73.1202.002 x 1



18.73.1202.003 x

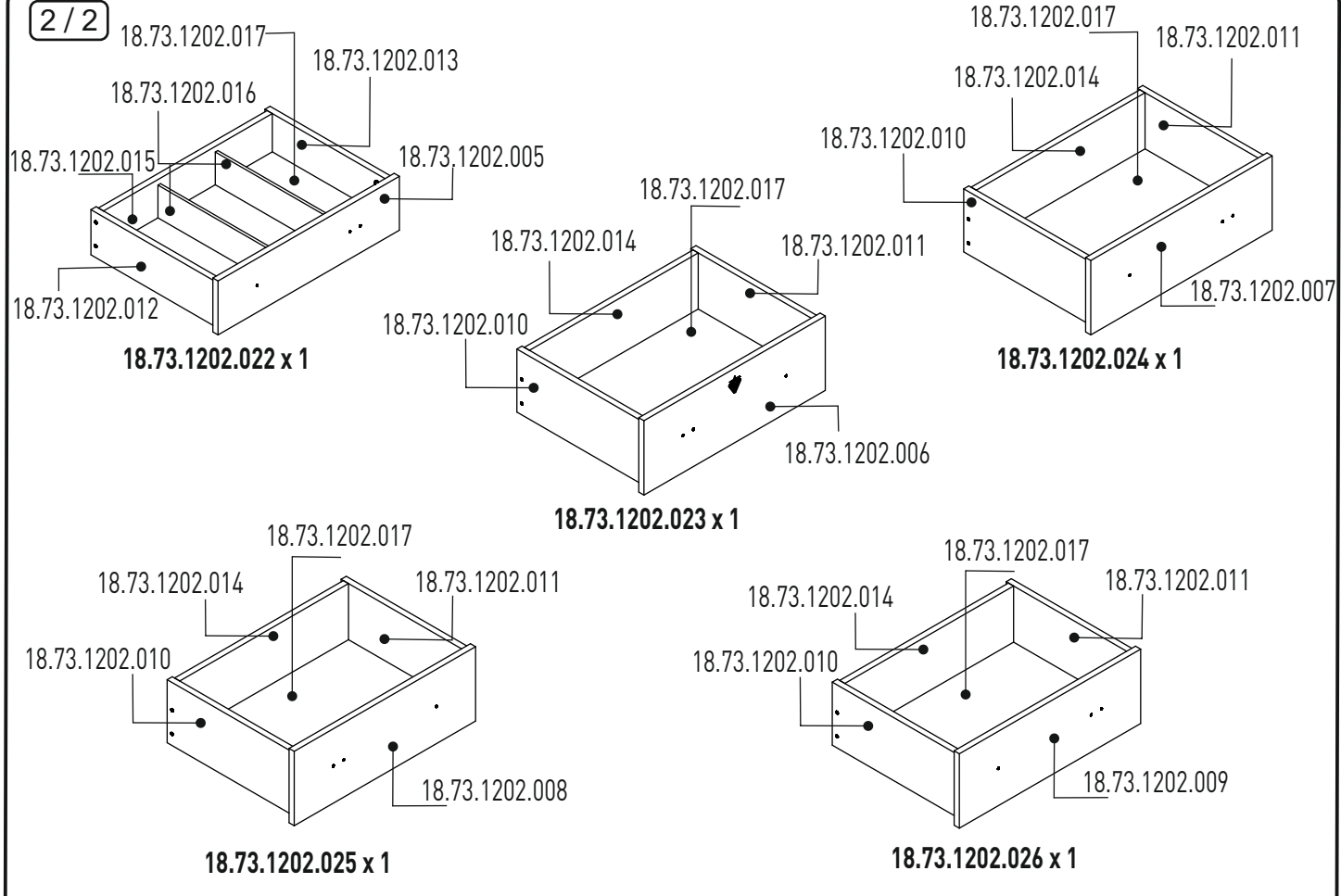


18.73.1202.004 x 1

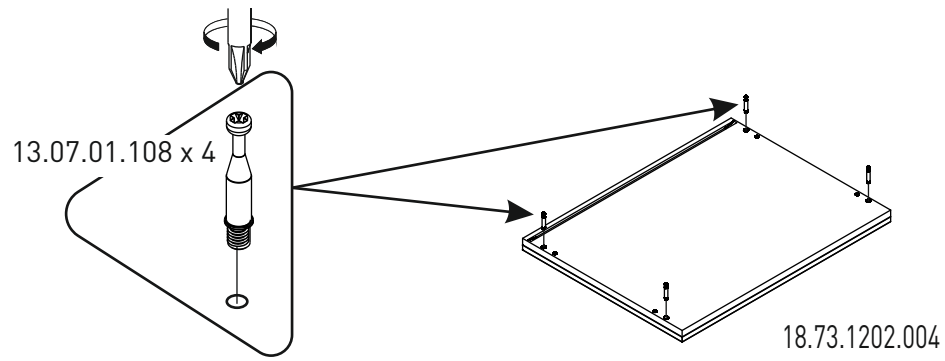


18.73.1202.027 x 1

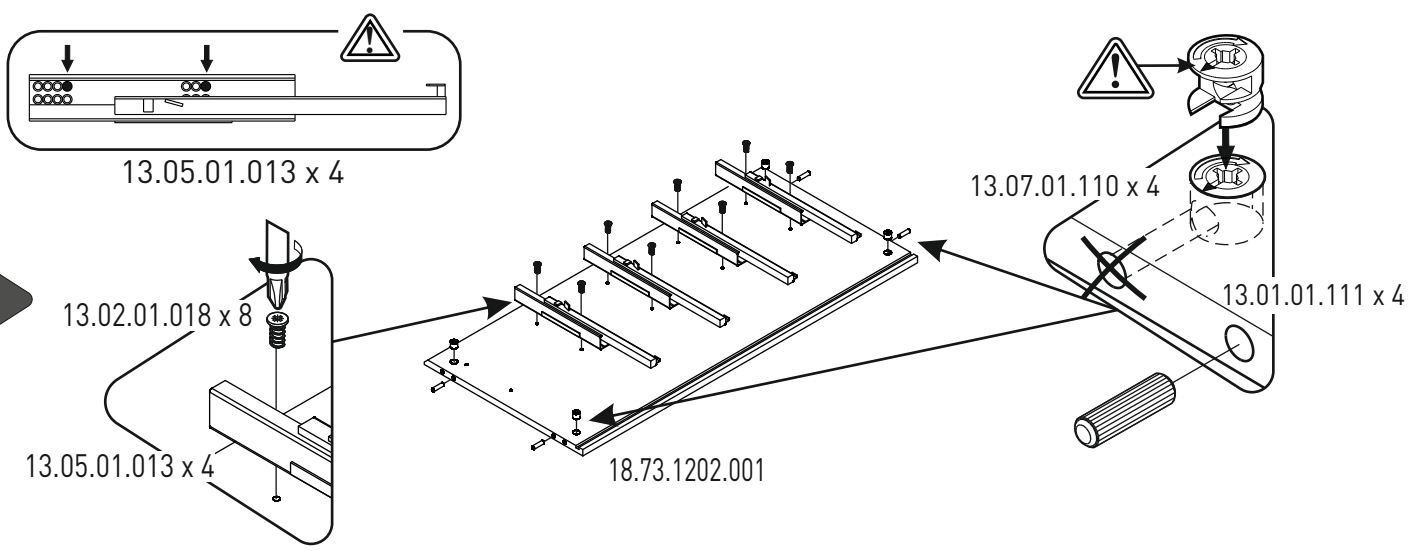
2 / 2

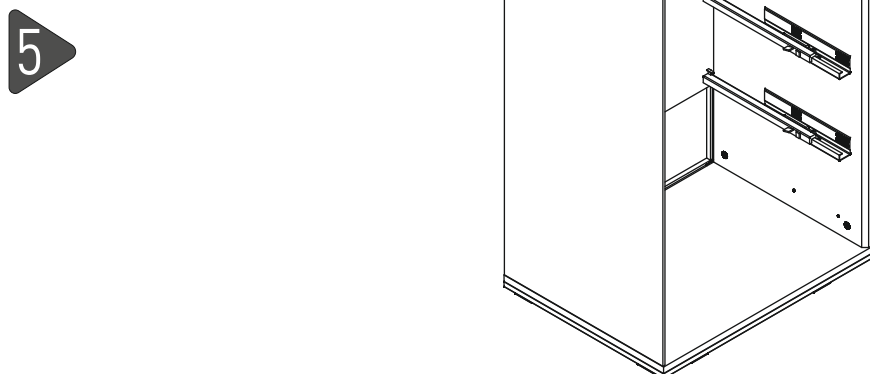
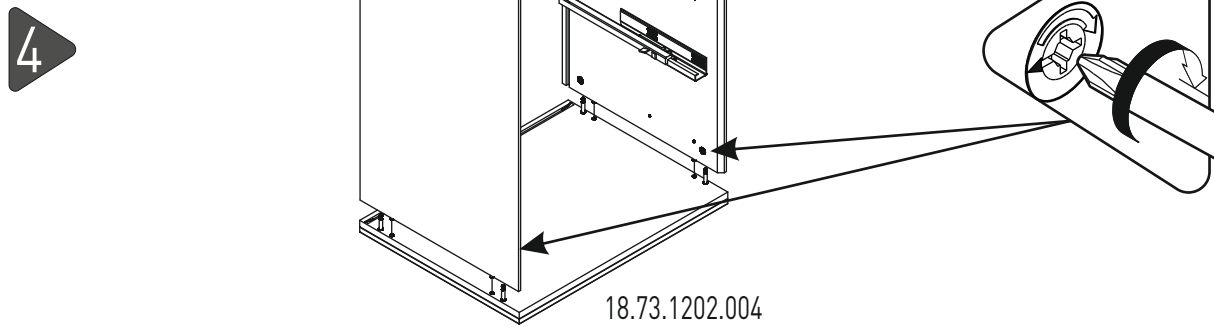
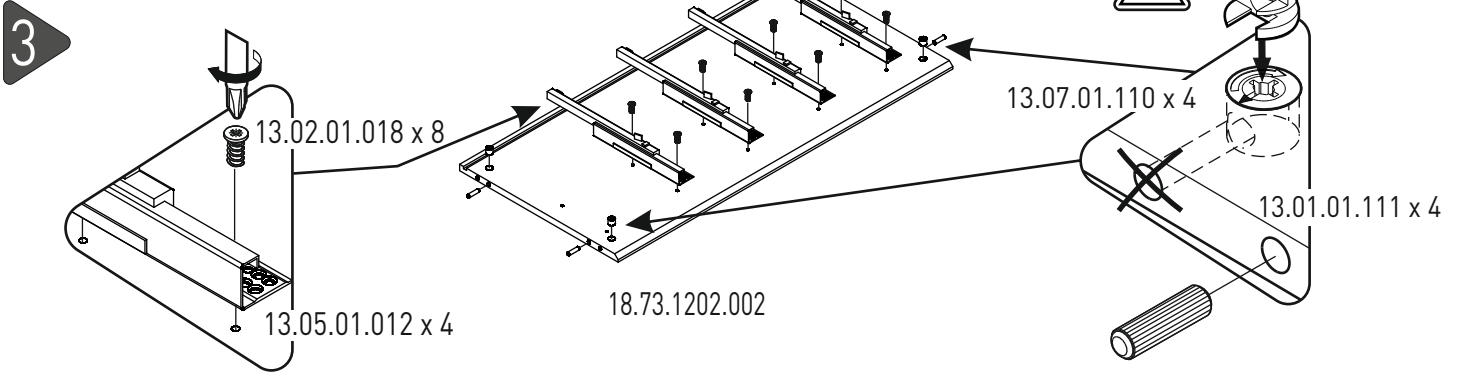
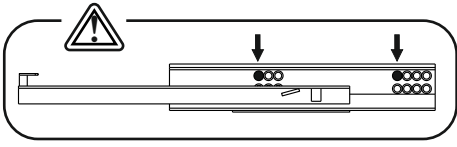


1

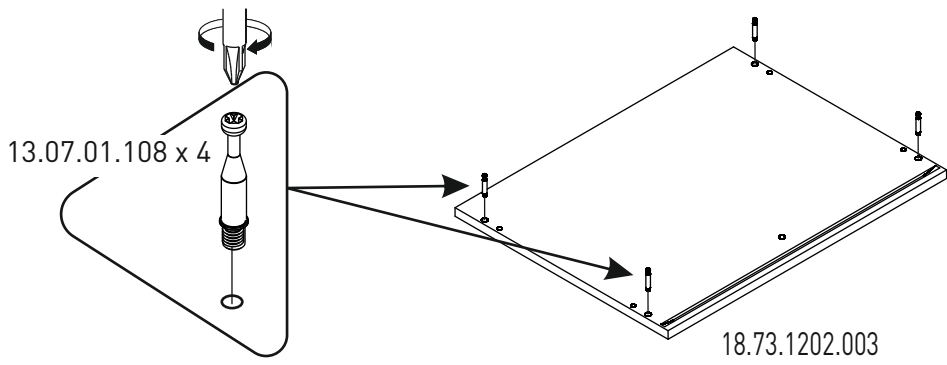


2

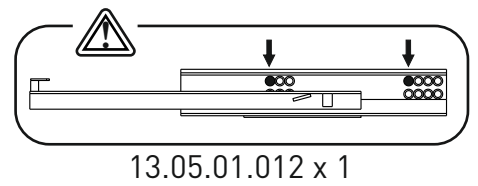
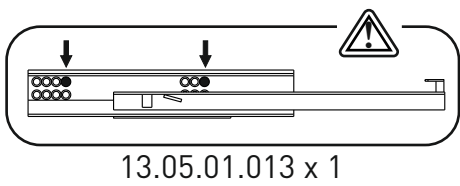
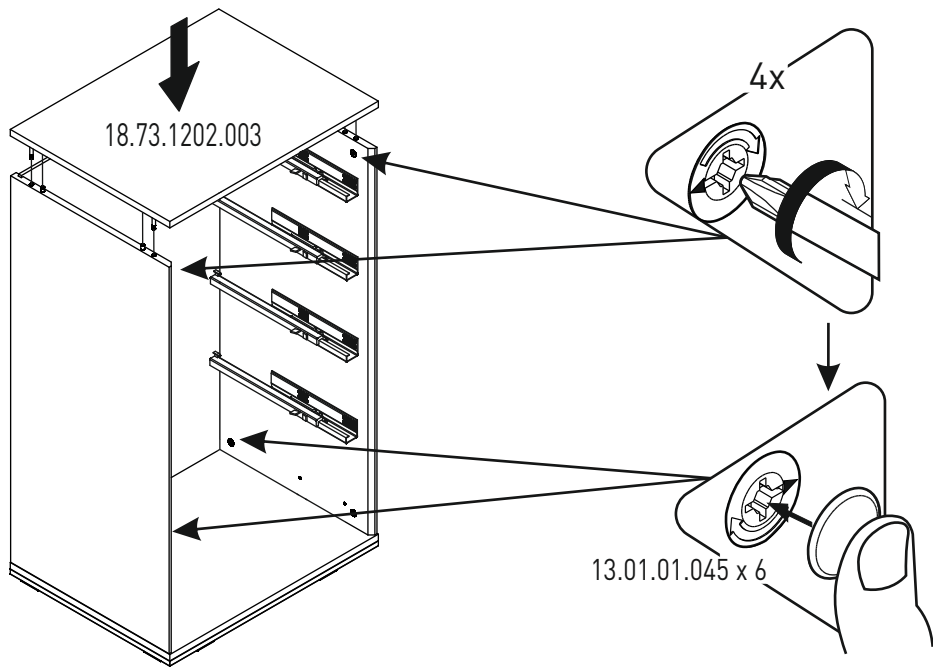




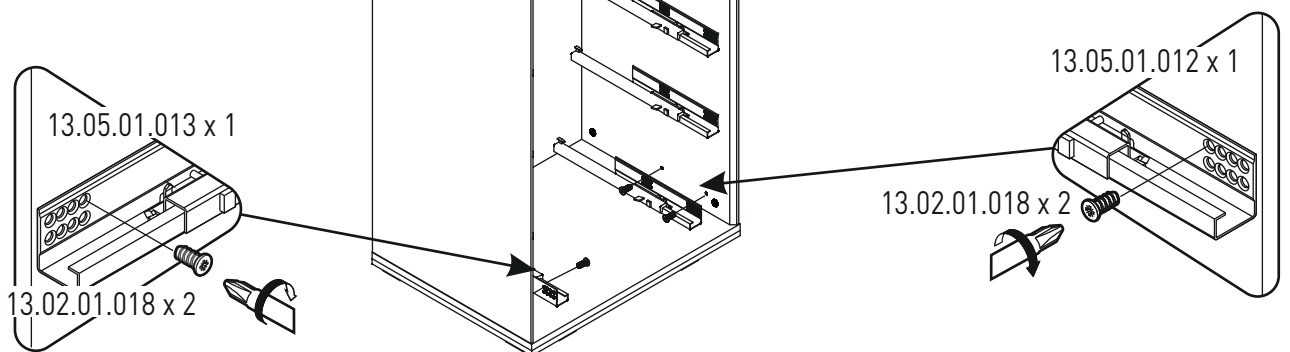
6



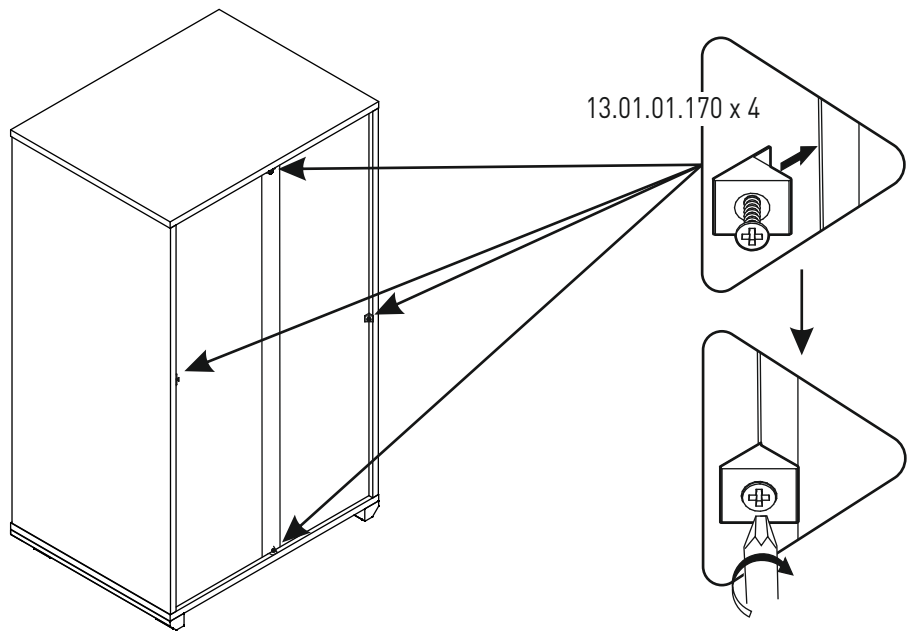
7



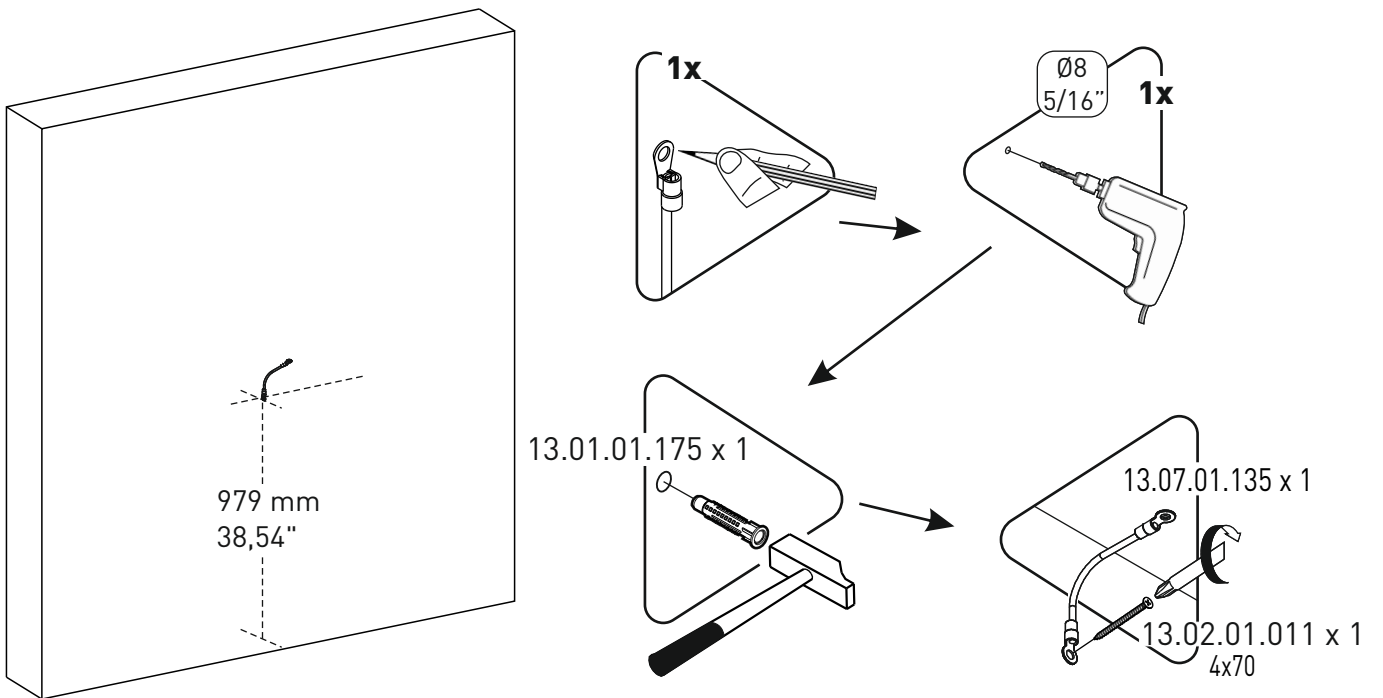
8



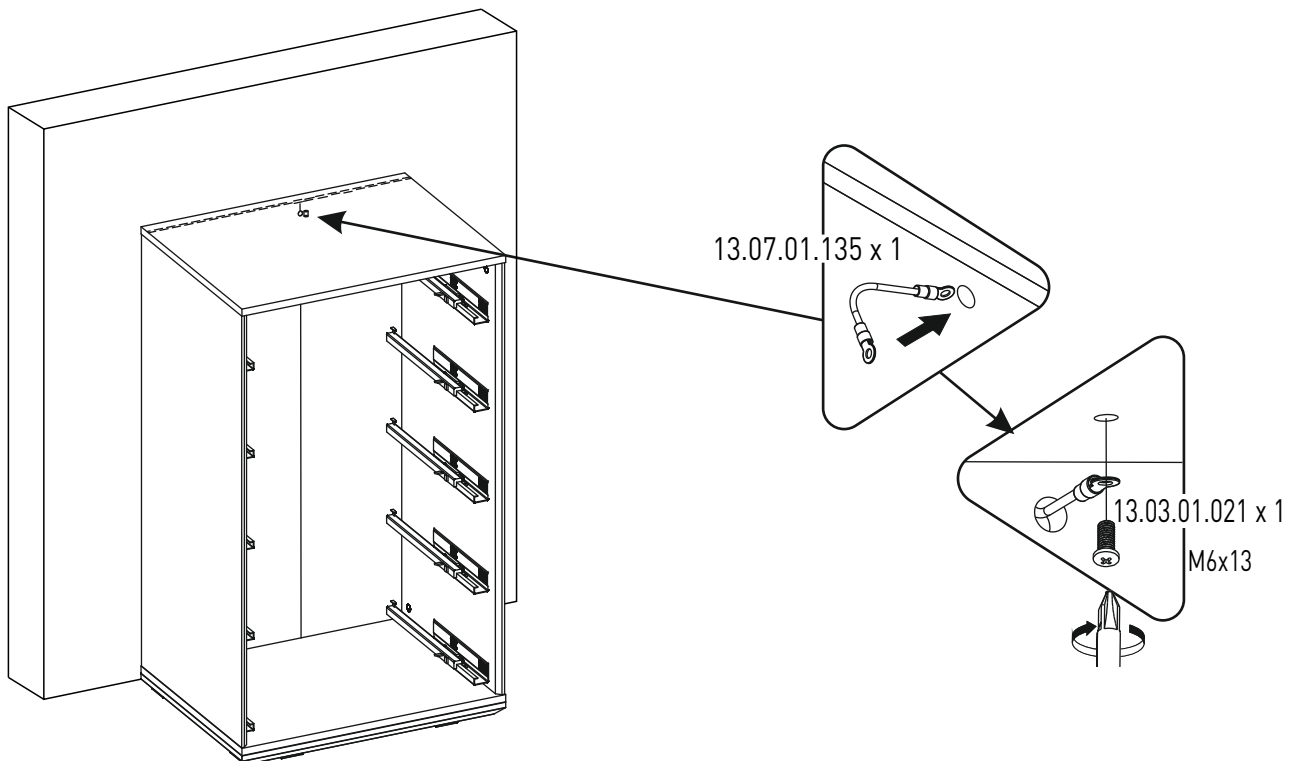
9

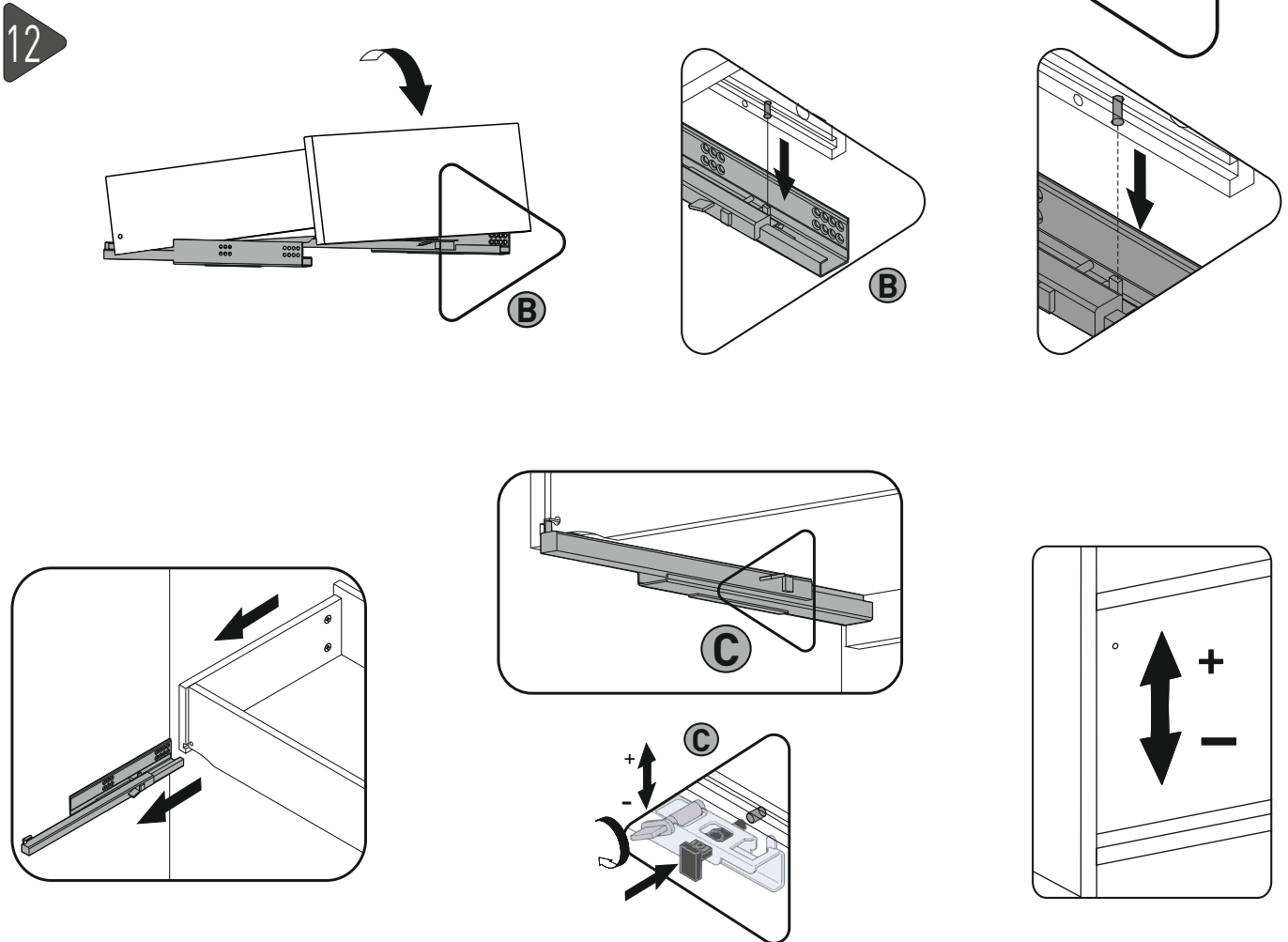
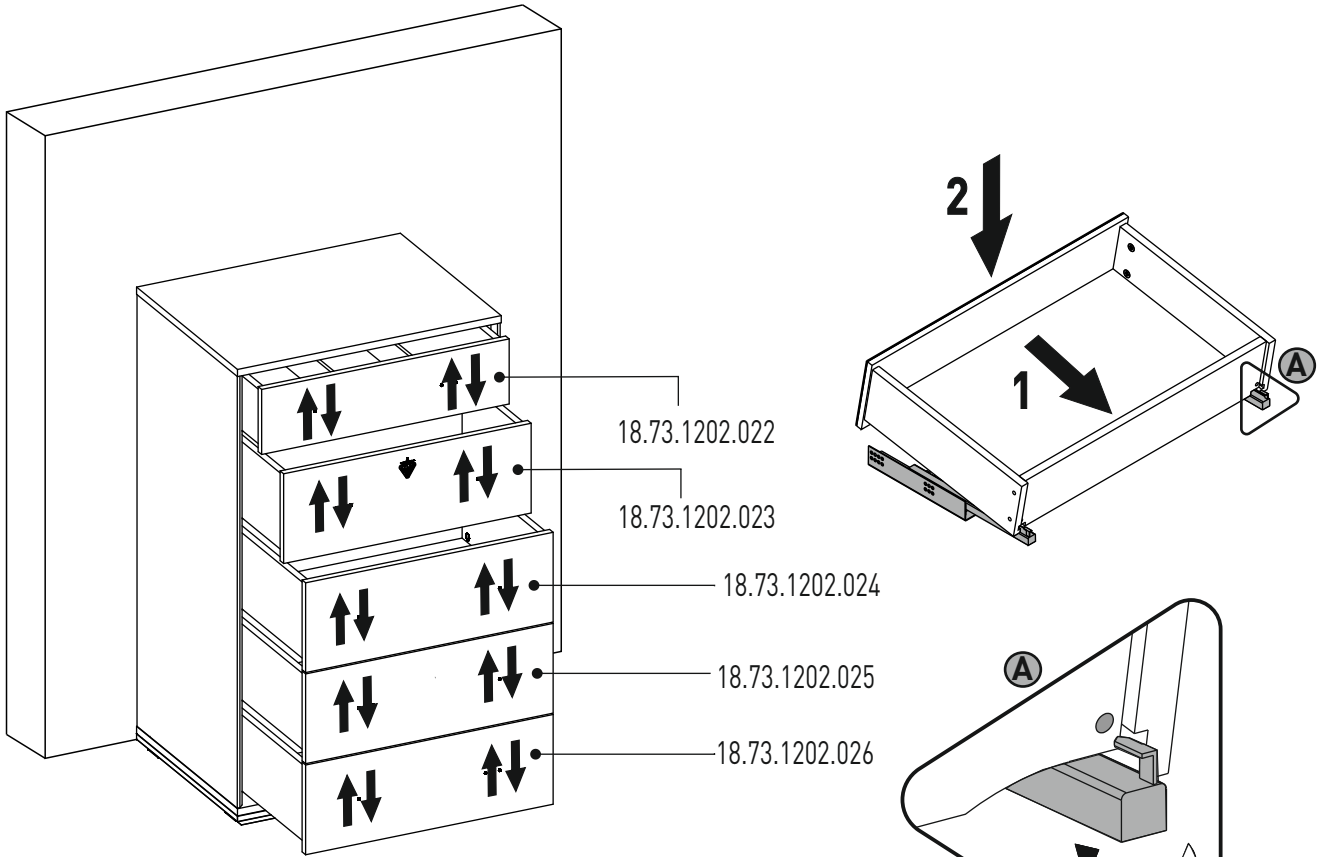


10



11





13

