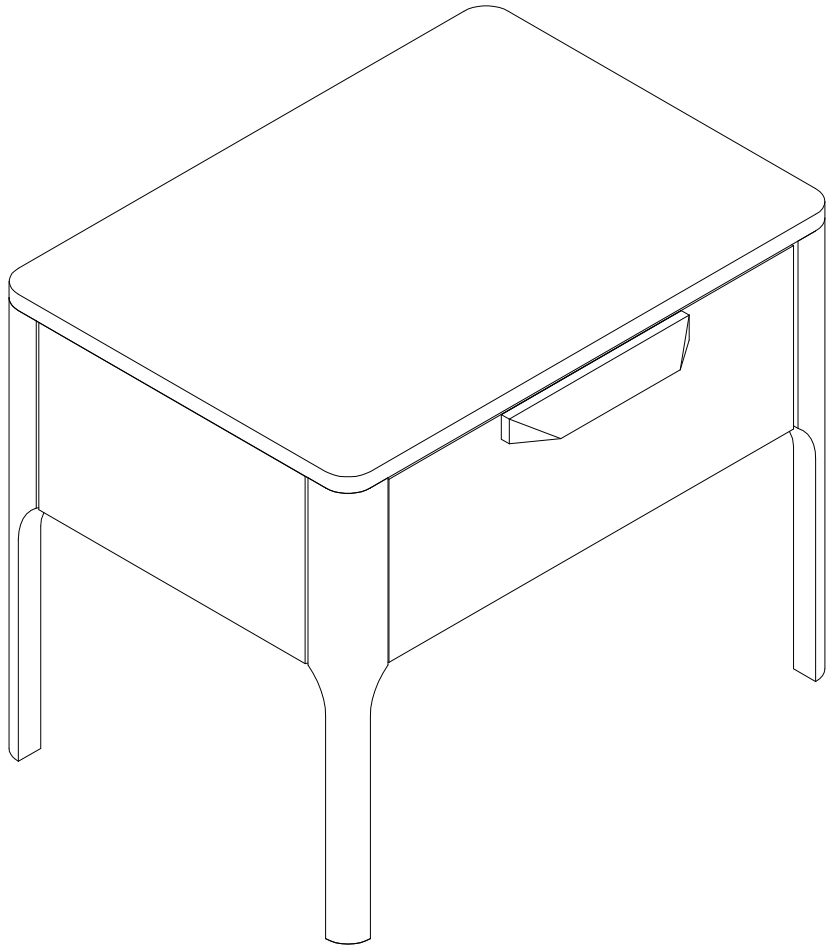


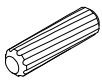
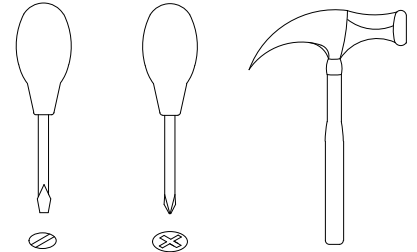
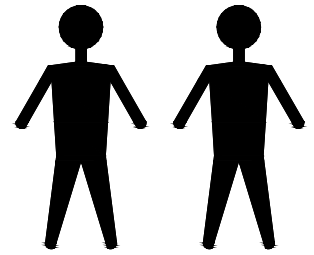


MDI. BST. RD. 27

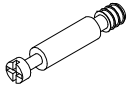


EAC

MDI. BST. RD. 27



A x8
Spec: $\varnothing 8 * L30$



B x8
Spec: $\varnothing 7 * L30$



C x8
Spec: $\varnothing 15 * H12$



D x4
Spec: $\varnothing 6 * L28$



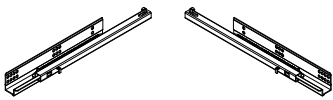
E x4
Spec: $\varnothing 12 * H9$



F x8
Spec:



AAA x4
Spec: $\varnothing 3.8 * L12$



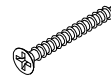
H x1
Spec: L350



I x6
Spec: $\varnothing 6 * L8$



J x4
Spec:



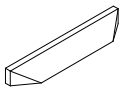
K x4
Spec: $\varnothing 3.5 * L35$



L x4
Spec: $\varnothing 3.5 * L16$



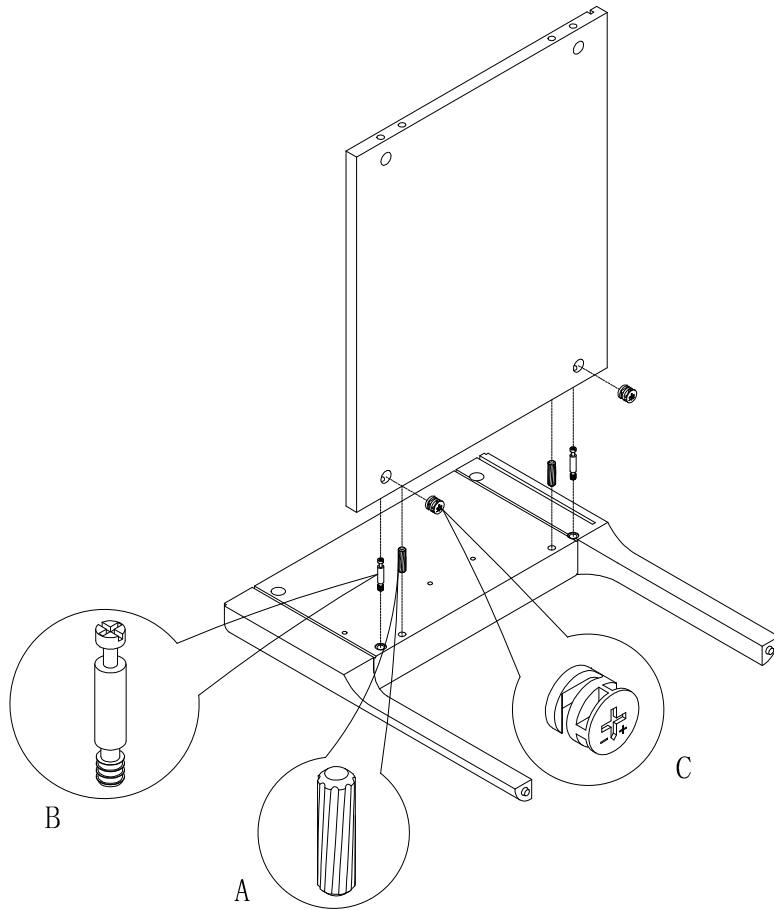
M x4
Spec: H13



N x1
Spec:

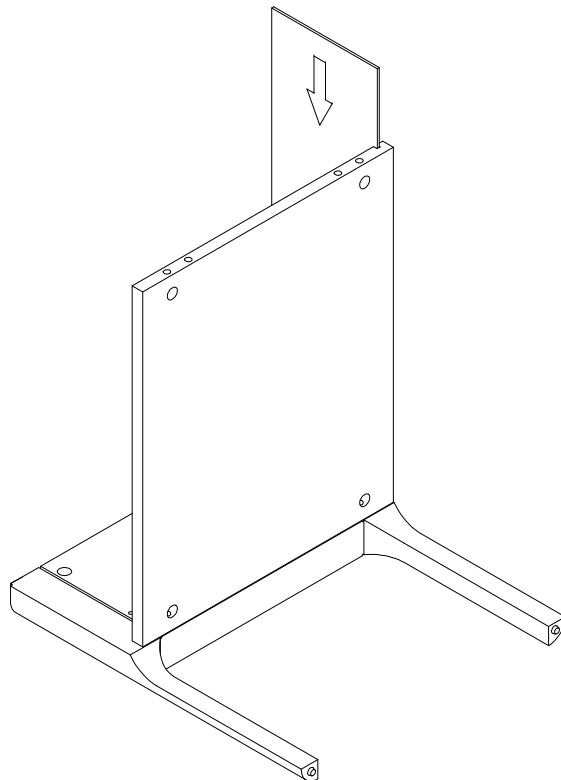


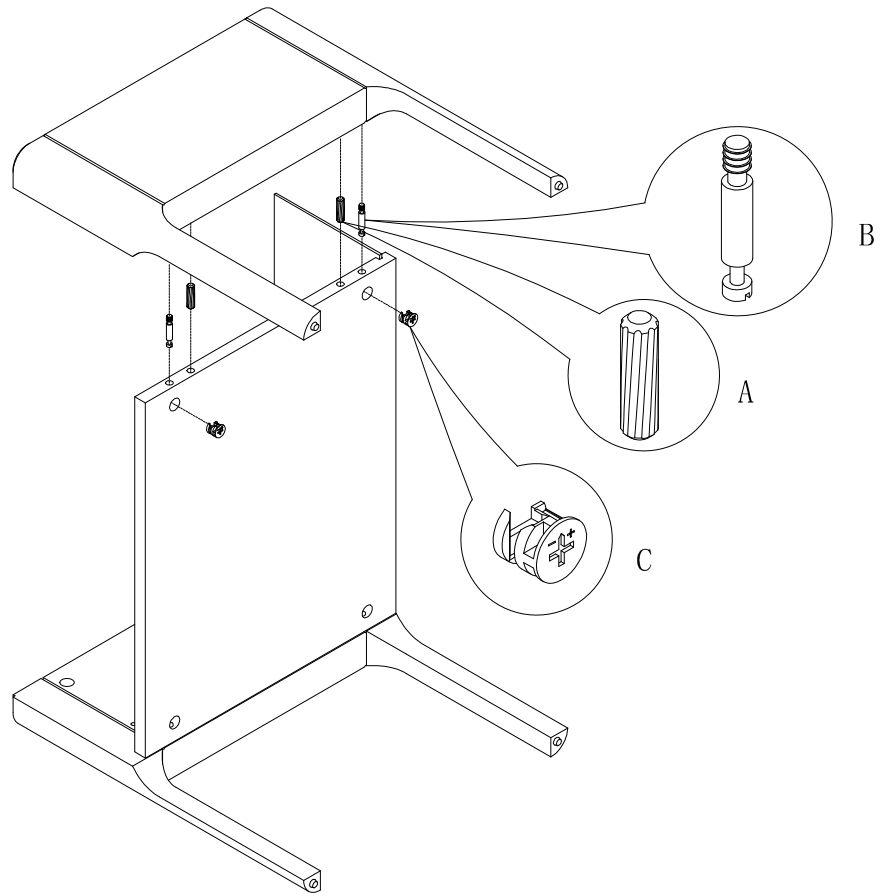
O x2
Spec: M4 * L21



1

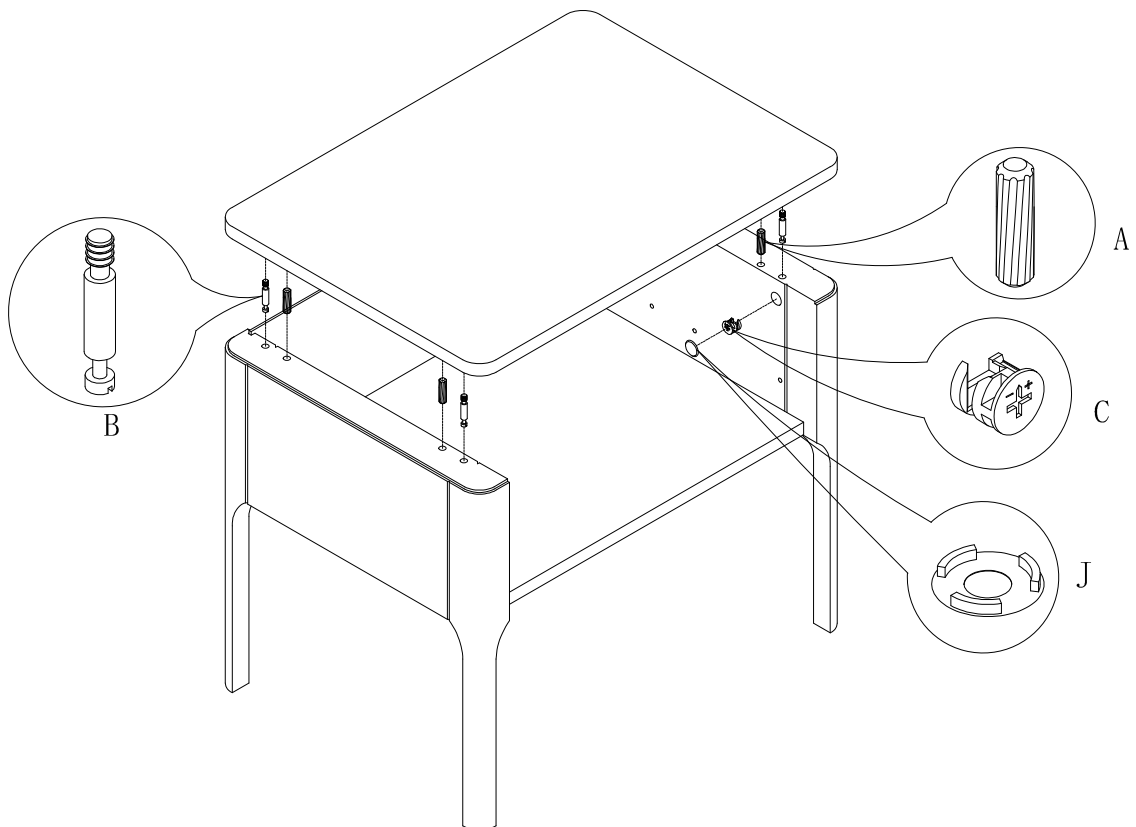
2

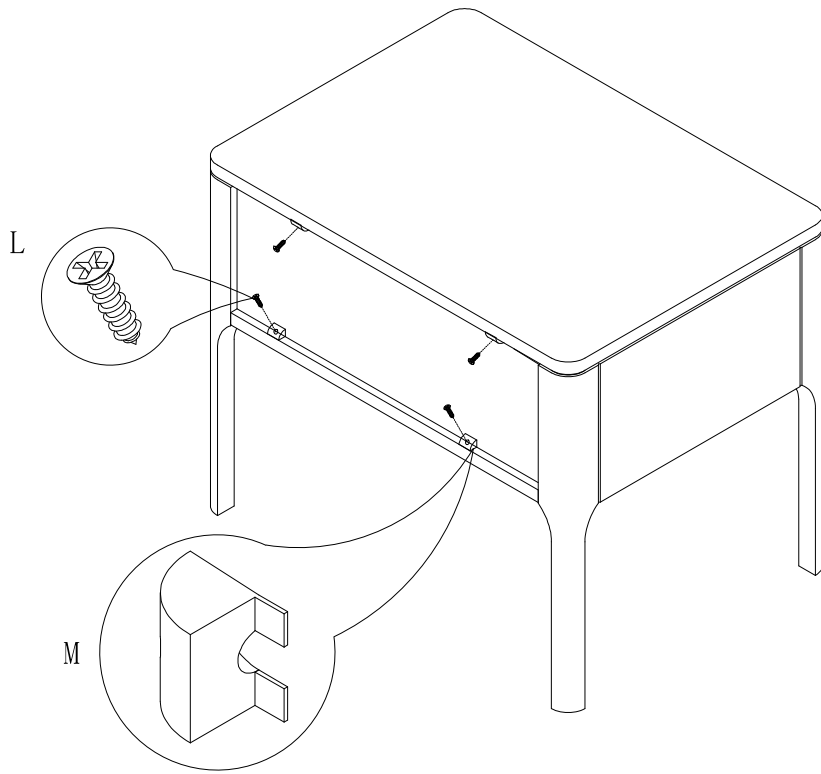




3

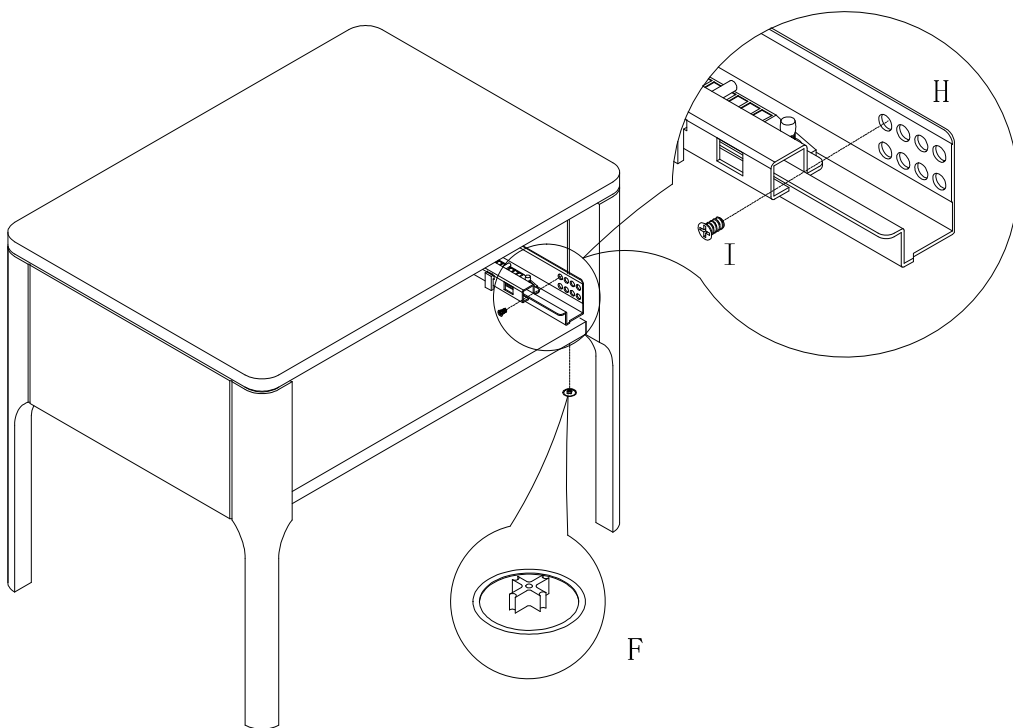
4

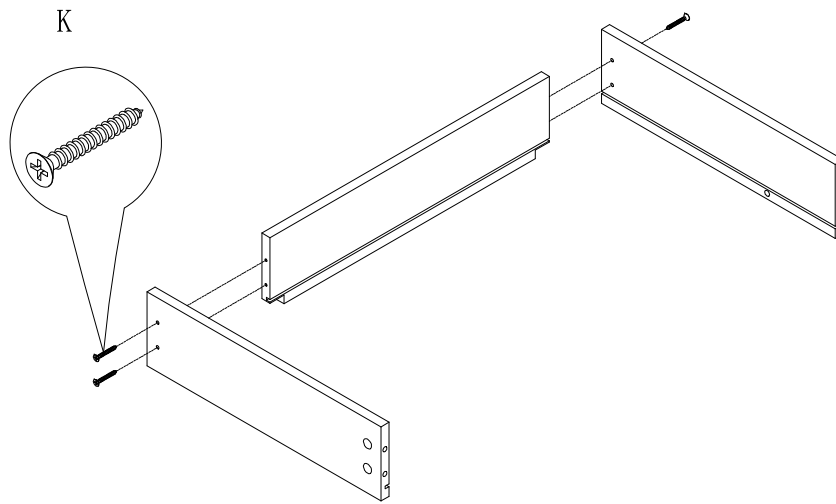




5

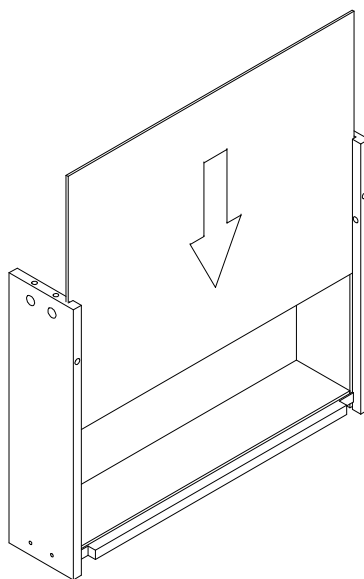
6

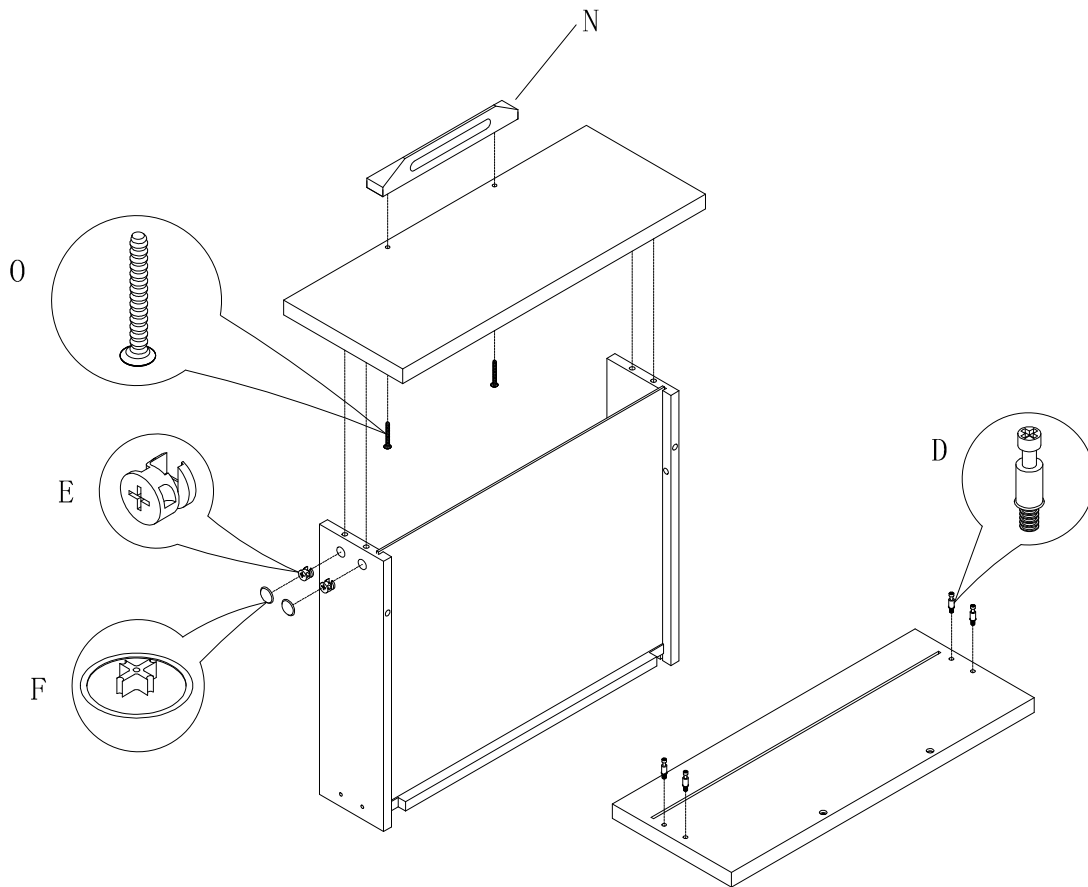




7

8





9

10

